



Contents	Page
Latching parts .....	<b>11.3</b>
Plastic panel mounting .....	<b>11.5</b>
Metal panel mounting .....	<b>11.6</b>
Insert mounting.....	<b>11.7</b>
Insert mounting with carrier element .....	<b>11.8</b>
Plastic housings.....	<b>11.10</b>
Accessories .....	<b>11.15</b>

Note:

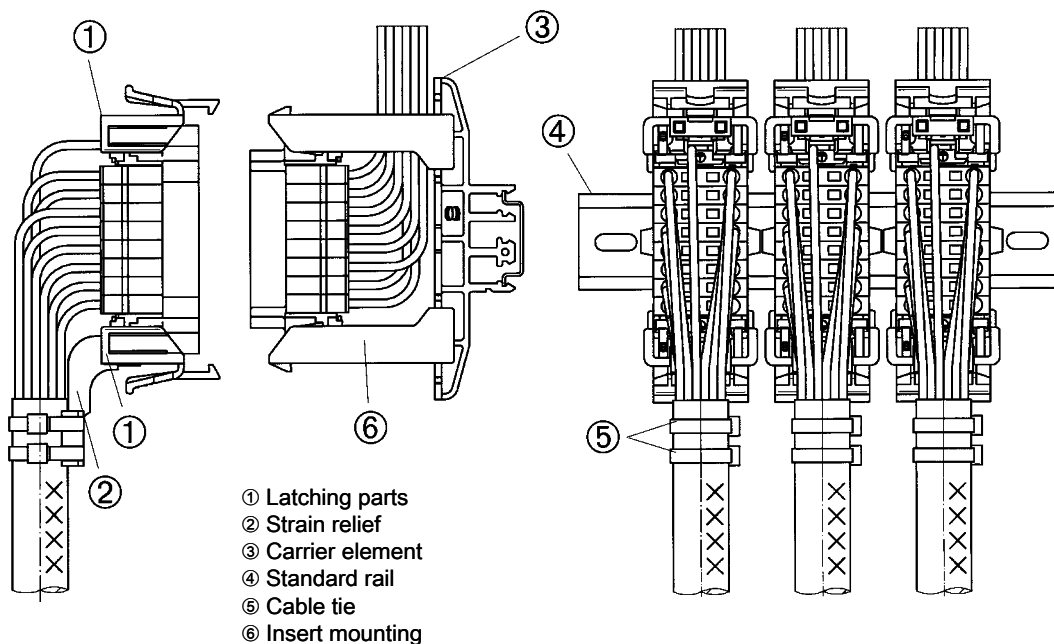
A connector mounted with Han-Snap® elements does not offer finger safe protection to the relevant standards. In this case protection against electric shock must be provided by the installation methods of the user. The fixing of the PE terminal must be conducted on equal side of the connector insert to avoid ground interruptions.

- The Han-Snap® system is ideal for connectors within closed electrical operating environments. These can be rooms, cabinets or termination boxes.
- The Han-Snap® components are an innovative design which offer the following advantages and characteristics:
  - reduction of material and assembly costs;
  - fast and easy installation;
  - preassembly of Han connectors;
  - secure and rigid mounting of Han connectors;
  - frequent use of latching systems is possible (up to several thousand cycles).
- The Han-Snap® elements are compatible with the standard inserts and terminal block connectors of the following series (named series Han B as follows)
  - Han D®, 40 and 64 pins
  - Han DD®
  - Han E®
  - Han® EE
  - Han® EEE
  - Han® ES
  - Han Hv E®
  - Han® Hv ES
  - Han® HsB
  - Han-Com®
  - Han-Modular®

- With the Han-Snap® adapter the following standard inserts are compatible (named series Han A as follows):
  - Han D®, 15 and 25 pins
  - Han A®, 10 and 16 pins
- The Han-Snap® elements are a mechanical system for the mounting assembly and security of Han connectors. Normally the elements are assembled to the connector insert using the standard insert fixing screws. If coding is required the standard fixing screws may be replaced by either code pins or guide pins and bushes.
- On free connectors the wires or cables can be secured to the strain relief element with standard cable ties of 5 mm width maximum.

Han-Snap

Han-Snap® on standard rail



# Latching parts



## Features

- Compact design saves space
- Practical and easy handling
- Reduction of material and assembly costs

## Technical characteristics

Limiting temperatures	-40 °C ... 125 °C
Flammability (hoods/housings) acc. to UL 94	V 0
Tightening torque	0.8 Nm
Degree of protection acc. to IEC 60529	IP20
Retention force without guiding	200 N
Retention force with guiding	300 N
Vibration resistance	IEC 60068, part 2-6, BN 74018
Shock immunity	IEC 60068, part 2-27, BN 74018
Material (accessories)	polycarbonate
Colour (accessories)	RAL 7032 (light grey)

## Details

Inserts can be mounted on the panel mounting part and the latching part with the standard insert mounting screws.

High mechanical security of the fixings.

No functional impairment is caused by slight over tightening of the fixing screws.

Alternatively, Han coding elements (code pins or guide pins and bushes) may be used.


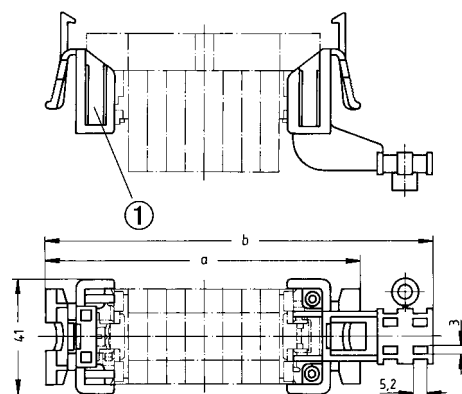
Please note: The strain relief element should be assembled to the latching part at the end of the insert opposite to the ground element.

Up to 2 cable ties with max. 5 mm width can be used on the strain relief.

Label 9 x 20 mm may be fitted in both sides of each latching element.


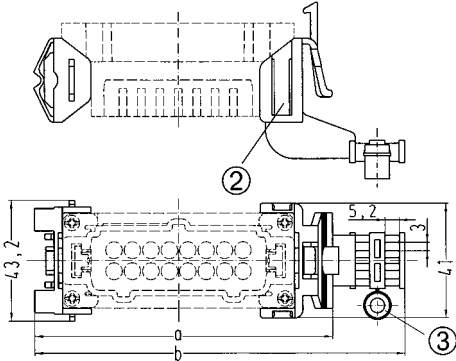

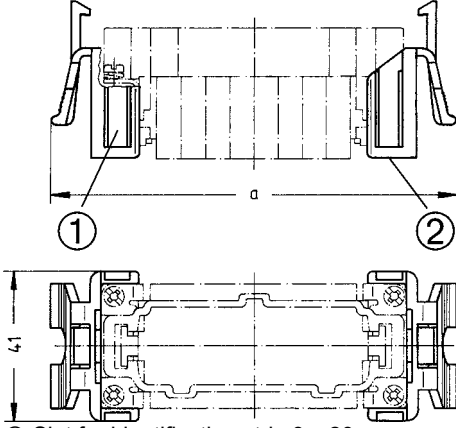
Label 7 x 20 mm may be fitted to the top of the latching part without the strain relief element.

Han-Snap

Identification	Part number	Drawing Dimensions in mm
<p>Han-Snap®, Latching parts, with strain relief</p> <p>Range of delivery: 1 latching part with strain relief, 1 latching part</p> 	09 33 000 9991	 <p>① Slot for identification strip 9 x 20</p> <p>6 B: a=78,5; b=105 10 B: a=91,5; b=118 16 B: a=112,5; b=138,5 24 B: a=138,5; b=165</p>

# Latching parts



Identification	Part number	Drawing Dimensions in mm
<p>Han-Snap<sup>®</sup>, Latching parts, with strain relief, and panel mounting parts</p> <p>Range of delivery: 1 latching part with strain relief, 1 panel mounting part</p> 	<p>09 33 000 9990</p>	 <p>② Slot for identification strip 9 x 20 ③ Distance bush 6 B: a=75; b=101 10 B: a=88; b=114 16 B: a=108.5; b=134.5 24 B: a=135; b=161</p>
<p>Han-Snap<sup>®</sup>, Latching parts</p> <p>Range of delivery: 2 latching parts</p> 	<p>09 33 000 9987</p>	 <p>① Slot for identification strip 9 x 20 ② Slot for identification strip 7 x 20 6 B: a= 78.5 10 B: a= 91.5 16 B: a= 112.5 24 B: a= 138.5</p>

Han-Snap

# Plastic panel mounting



## Features

- Snap element for sheet-metal cut out
- Compact design saves space
- Practical and easy handling
- Reduction of material and assembly costs

## Technical characteristics

Limiting temperatures	-40 °C ... 125 °C
Flammability (hoods/housings) acc. to UL 94	V 0
Tightening torque	0.8 Nm
Retention force without guiding	250 N, 400 N
Retention force with guiding	400 N, 500 N
Vibration resistance	IEC 60068, part 2-6, BN 74018
Shock immunity	IEC 60068, part 2-27, BN 74018
Material (accessories)	polycarbonate
Colour (accessories)	RAL 7032 (light grey)

## Details

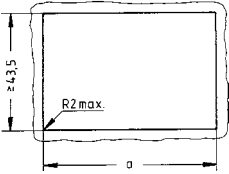
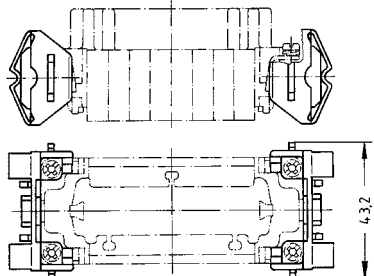
Connector inserts and terminal block connectors can be fixed on elements for panel mounting with standard insert mounting screws.

High mechanical security of the fixings. No functional impairment is caused by slight over tightening of the fixing screws.

Alternatively, Han coding elements (code pins or guide pins and bushes) may be used.

Connector assembly into the panel (sheet-metal) cut out or two parallel mounted rails is possible from mating or termination side.

Han-Snap

Identification	Part number	Drawing Dimensions in mm
Han-Snap®, Panel mounting parts Range of delivery: 2 plastic panel mounting parts sufficient for one insert or terminal block connector	09 33 000 9985	Panel cut out Sheet-metal thickness 1.3 - 3 mm  6 B: $a^{+0.5} = 65$ 10 B: $a^{+0.5} = 78$ 16 B: $a^{+0.5} = 98$ 24 B: $a^{+0.5} = 125$ 10 A: $a^{+0.5} = 81.5$ 16 A: $a^{+0.5} = 98$  Min. retention force in sheet-metal cut out Mating without guiding system 250 N Mating with guiding system 400 N Unmating without guiding system 400 N Unmating with guiding system 500 N



# Metal panel mounting



## Features

- Snap element for sheet-metal cut out
- Compact design saves space
- Practical and easy handling
- Reduction of material and assembly costs

## Technical characteristics

Limiting temperatures	-40 °C ... 125 °C
Tightening torque	0.8 Nm
Vibration resistance	IEC 60068, part 2-6, BN 74018
Shock immunity	IEC 60068, part 2-27, BN 74018
Material (accessories)	zinc die-cast

## Specifications and approvals



## Details

Connector inserts and terminal block connectors can be fixed on elements for panel mounting with standard insert mounting screws.

High mechanical security of the fixings.

Alternatively, Han coding elements (code pins or guide pins and bushes) may be used.

Connector assembly into the panel (sheet-metal) cut out or two parallel mounted rails is possible from mating or termination side.

Han-Snap

### Identification

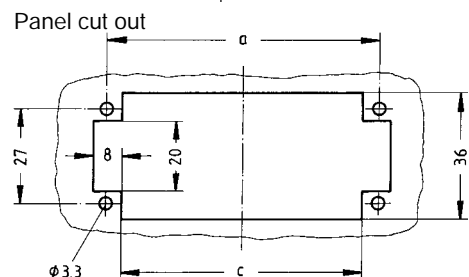
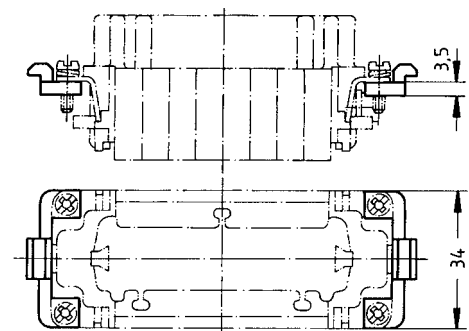
Han-Snap®,  
Panel mounting parts  
Range of delivery:  
2 metallic panel mounting parts sufficient for one insert or terminal block connector



### Part number

09 33 000 9984

### Drawing Dimensions in mm



- 6 B: a=44; c=36
- 10 B: a=57; c=49
- 16 B: a=77.5; c=69.5
- 24 B: a=104; c=96

# Insert mounting



## Features

- Insert is mounted with carrier element
- A practical solution to fix the insert directly on a standard rail
- Insert can be assembled to Han-Snap® element with screw-driver
- Compact design saves space

## Technical characteristics

Limiting temperatures	-40 °C ... 125 °C
Tightening torque	0.8 Nm
Retention force on rail	< 300 N (tension), < 1000 N (pressure)
Vibration resistance	IEC 60068, part 2-6, BN 74018
Shock immunity	IEC 60068, part 2-27, BN 74018
Material (accessories)	polycarbonate
Colour (accessories)	RAL 7032 (light grey)

## Details

The insert mounting locks directly on standard rail 35 x 15 or 35 x 7.5 mm.

Inserts can be assembled on the insert mounting with the standard insert fixing screws.

High mechanical security of the fixings.

No functional impairment is caused by slight over tightening of the fixing screws.

Alternatively, Han® coding elements (code pins or guide pins and bushes) may be used.

The following labels may be fitted alternatively to the insert mounting parts for circuit identification purposes:

label 7 x 20 mm or

label 9 x 20 mm

Han-Snap

### Identification

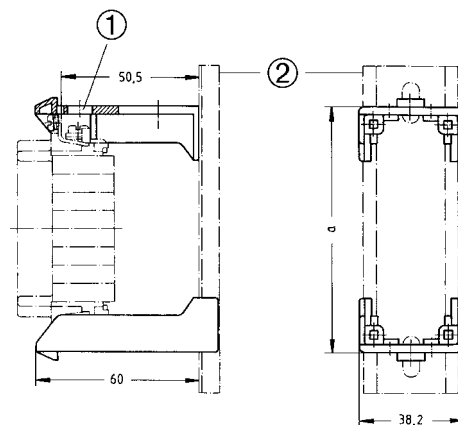
Han-Snap®,  
Insert mounting  
Range of delivery:  
2 insert mounting parts



### Part number

09 33 000 9980

### Drawing Dimensions in mm



- ① Slot for identification strip
- ② Rail IEC 60715-35 x 7.5 or -35 x 15
- 6 B: a= 57
- 10 B: a= 70
- 16 A / 16 B: a= 90.5
- 24 B: a= 117

# Insert mounting with carrier element



## Features

- Insert is mounted with carrier element
- A practical solution to fix the insert directly on a standard rail
- Insert can be assembled to Han-Snap® element with screw-driver
- Compact design saves space

## Technical characteristics

Limiting temperatures	-40 °C ... 125 °C
Flammability (hoods/housings) acc. to UL 94	V 0
Tightening torque	0.8 Nm
Retention force on rail	< 450 N
Vibration resistance	IEC 60068, part 2-6, BN 74018
Shock immunity	IEC 60068, part 2-27, BN 74018
Material (accessories)	polycarbonate
Colour (accessories)	RAL 7032 (light grey)

## Details

The carrier element is the basic element to mount the inserts in the cross direction on standard rails, for example:

- Caprail, 35 x 7.5 or 35 x 15 acc. to DIN EN 60 715
- C-rail, C 30 acc. to DIN EN 60 715
- G-rail, G 32 acc. to DIN EN 60 715

Where vibration is likely to be encountered, use the 35 x 15 mounting rails. When using the large carrier element, the 35 x 15 mounting rails are recommended to give greater stability.

Insert mounting type 6/10 is suitable for inserts of sizes Han 6 B and Han 10 B.

Insert mounting type 6/24 is suitable for all insert sizes:

- Han 6 B / 10 B / 16 B / 24 B,
- Han 16 A with the corresponding adapter.

Inserts can be assembled to the insert mountings with the standard insert mounting screws.

High mechanical security of the fixings. No functional impairment is caused by slight over tightening of the fixing screws.

Alternatively, Han coding elements (code pins or guide pins and bushes) may be used.

The following labels may be fitted to the insert mounting parts for circuit identification purposes:

- label 7 x 20 mm or
- label 9 x 20 mm

### Identification

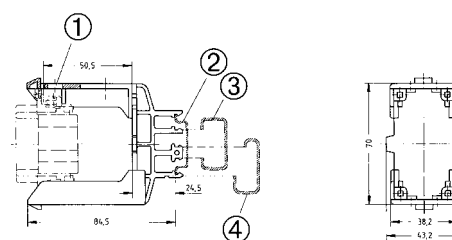
Han-Snap®,  
Insert mounting,  
with carrier element,  
Type 6/10  
Range of delivery:  
2 insert mounting parts,  
1 carrier element



### Part number

09 33 000 9988

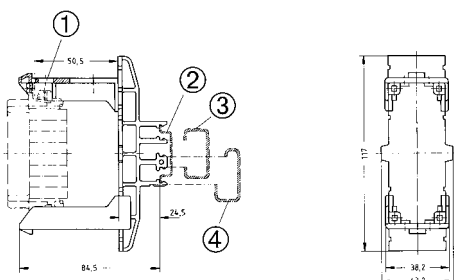
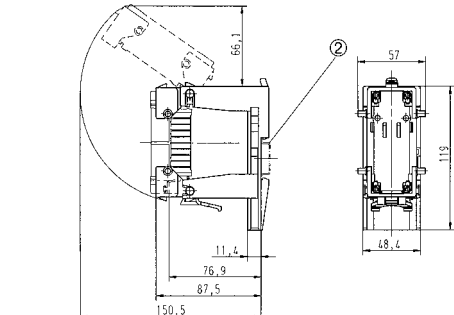
### Drawing Dimensions in mm





# Insert mounting with carrier element



Identification	Part number	Drawing Dimensions in mm
<p>Han-Snap<sup>®</sup>, Insert mounting, with carrier element, Type 6/24</p> <p>Range of delivery: 2 insert mounting parts, 1 carrier element</p>	09 33 000 9989	 <p>① Slot for identification strip ② Rail IEC 60715-35 x 7.5 or -35 x 15 ③ C-rail IEC 60715-C 30 ④ G-rail IEC 60715-G32</p>
<p>Han-Snap<sup>®</sup>, Insert mounting, swinging, for standard inserts</p>	09 33 000 9801	 <p>② Rail IEC 60715-35 x 7.5 or -35 x 15</p>
<p>Han-Snap<sup>®</sup>, Insert mounting, swinging, for Han-Modular<sup>®</sup> hinged frames</p>	09 33 000 9803	

Han-Snap

# Plastic housings



## Features

- Ideal for use within closed electrical operation environments
- Allows use of preassembled cables
- Optimised cost of material and assembly
- Insert can be assembled to Han-Snap® element with screwdriver

## Technical characteristics

Limiting temperatures	-40 °C ... 125 °C
Flammability (hoods/housings) acc. to UL 94	V 0
Tightening torque	0.8 Nm
Vibration resistance	IEC 60068, part 2-6, BN 74018
Shock immunity	IEC 60068, part 2-27, BN 74018
Tightening torque (locking)	0.8 Nm
Material (hoods/housings)	polycarbonate
Colour (hoods/housings)	RAL 7032 (light grey)
Material (accessories)	polycarbonate
Colour (accessories)	RAL 7032 (light grey)

## Details

2 identical half shells form a shell housing.  
 Each housing has 3 cable entries, one on top and one at each end. 2 x cable entries can be closed by enclosed blind plugs.  
 In the area of cable entries there are rectangular openings for mounting of cable ties up to max. 5 mm width.  
 In the mating area both housing shells are fixed by the standard insert fixing screws.  
 To release the half shells use screw driver (3.5 x 0.5).  
 Alternatively, Han® coding elements (code pins or guide pins and bushings) may be used.  
 High mechanical security of the fixings.  
 No functional impairment is caused by slight over tightening of the fixing screws. The blind plugs have slots for identification strips.  
 The following labels can be fitted:  
 label 7 x 20 mm or  
 label 9 x 20 mm


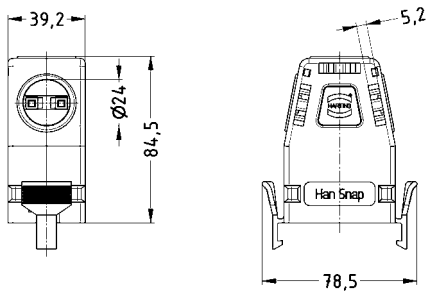

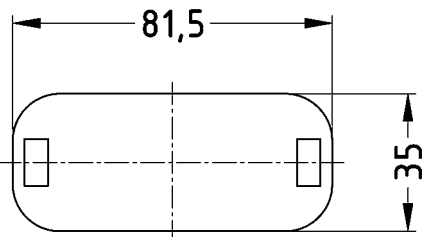
**Han A-size 16 by using the corresponding adapter**  
 Inserts can be assembled to the adapters with the standard insert fixing screws.  
 With the included screws the adapter can be fixed to the selected Han-Snap® element.

Han-Snap

# Plastic housings

Size 6 B




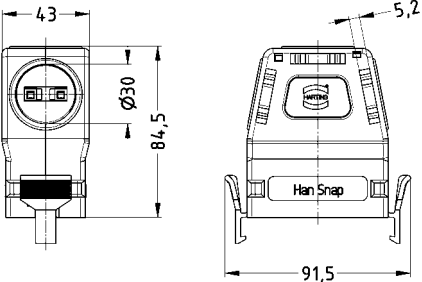

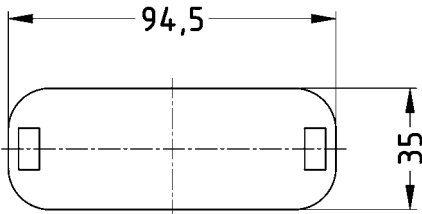
Identification	Part number	Drawing Dimensions in mm
<p>Han-Snap®, Plastic housings</p> <p>Range of delivery: 2 half shells with blind plugs</p> 	<p>09 33 006 0401</p>	
<p>Han-Snap®, Protection cover, plastic</p> 	<p>09 33 006 5401</p>	

Han-Snap

# Plastic housings

Size 10 B




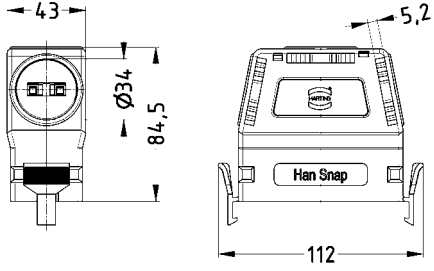

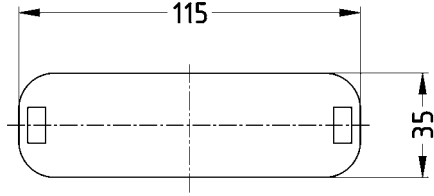

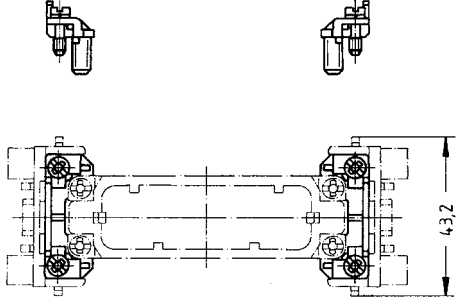
Identification	Part number	Drawing Dimensions in mm
<p>Han-Snap®, Plastic housings</p> <p>Range of delivery: 2 half shells with blind plugs</p> 	<p>09 33 010 0401</p>	
<p>Han-Snap®, Protection cover, plastic</p> 	<p>09 33 010 5401</p>	

Han-Snap

# Plastic housings

Size 16 B




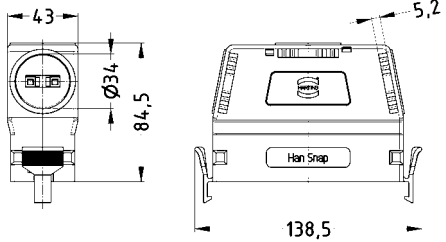

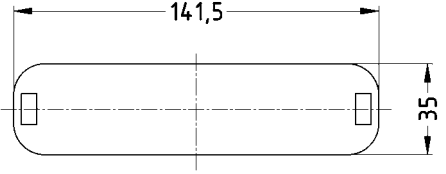
Identification	Part number	Drawing Dimensions in mm
<p>Han-Snap®, Plastic housings</p> <p>Range of delivery: 2 half shells with blind plugs</p> 	<p>09 33 016 0401</p>	
<p>Han-Snap®, Protection cover, plastic</p> 	<p>09 33 016 5401</p>	
<p>Han A®, Adapter</p> <p>Range of delivery: 2 adapters, 4 fixing screws</p> 	<p>09 20 000 9933</p>	

Han-Snap

# Plastic housings

Size 24 B


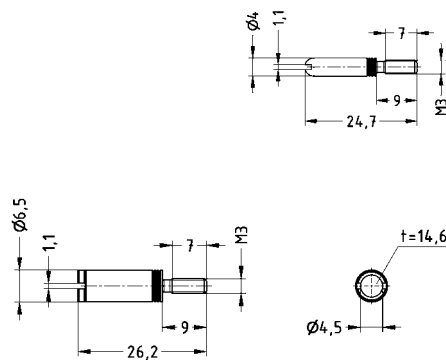

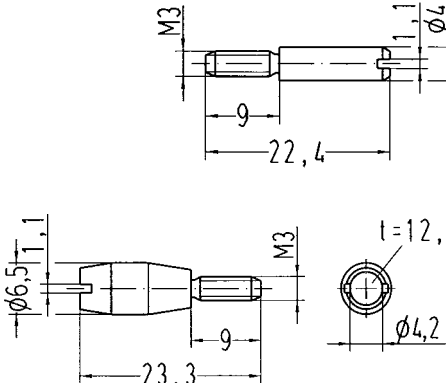


Identification	Part number	Drawing Dimensions in mm
<p>Han-Snap®, Plastic housings</p> <p>Range of delivery: 2 half shells with blind plugs</p> 	<p>09 33 024 0401</p>	
<p>Han-Snap®, Protection cover, plastic</p> 	<p>09 33 024 5401</p>	

Han-Snap

# Accessories



Identification	Part number		Drawing Dimensions in mm
	male	female	
standard, Coding system with guide pins/bushes, for application "insert with screw adapter" with/ without grip frame  <p>Please order 4 pieces for one connector</p>	09 33 000 9808	09 33 000 9809	
Coding element, only for swinging insert mountings 	09 33 000 9956	09 33 000 9957	

Han-Snap

# Accessories



Identification	Part number	Drawing Dimensions in mm
Identification strip Range of delivery: single	09 33 000 9981	
Identification strip Range of delivery: 20 pieces in one block	09 33 000 9982	

Han-Snap