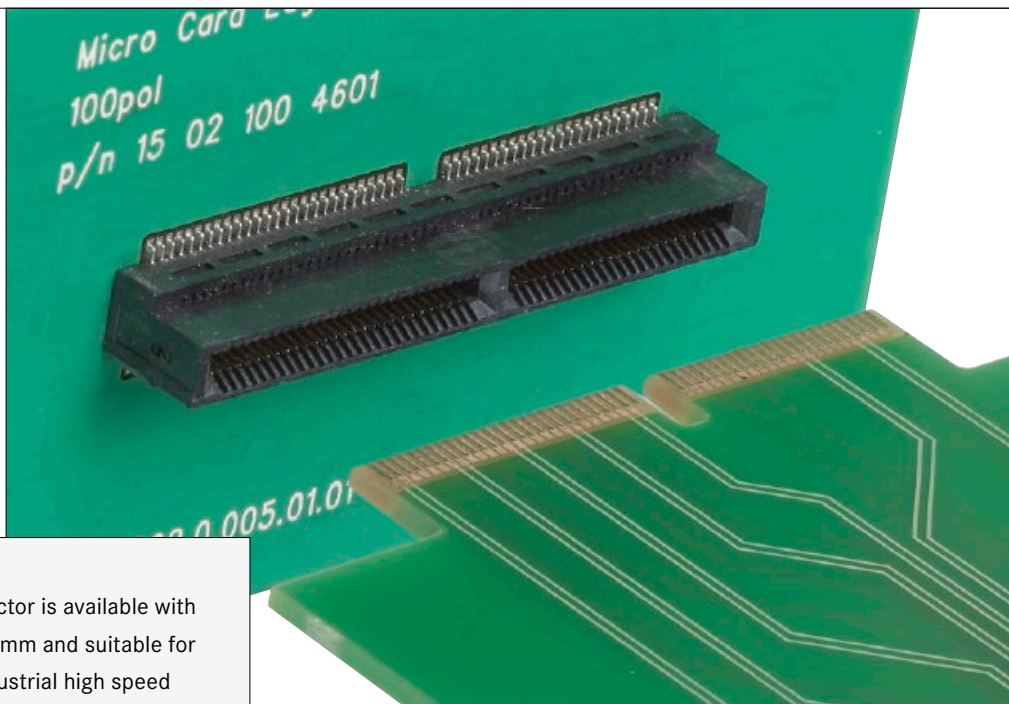


# 13. Micro Card Edge Connectors



The HARTING Micro Card Edge Connector is available with 40 and 100 contacts at a pitch of 0.8 mm and suitable for telecommunications, medical and industrial high speed applications with data rates up to 14 Gbps.

### Application profile:

CONNECTION TYPE		ENVIRONMENT		APPLICATION						
Board to Board	Cable/Wire to Board	IP20	IP65 / IP67	Data	Signal	Power	high performance			
							Data transfer rate	Shielding	Number of contacts, contact density	Voltage, working current
Cable termination			PCB termination			Application standard				
Han-Quick Lock® IDC Crimp			THT SMC SMT			 SCSI				
Screw Cage clamp Axial screw			Press-in			Housing integration Separate housing Integrated housing				

# 13. Micro Card Edge Connectors



## Contents

	Page
Micro Card Edge connector system – introduction .....	<b>13.02</b>
Technical characteristics, board dimensions .....	<b>13.05</b>
40pin connector .....	<b>13.06</b>
100pin connector .....	<b>13.07</b>

# 13. Micro Card Edge Connectors



## MICRO CARD EDGE CONNECTORS

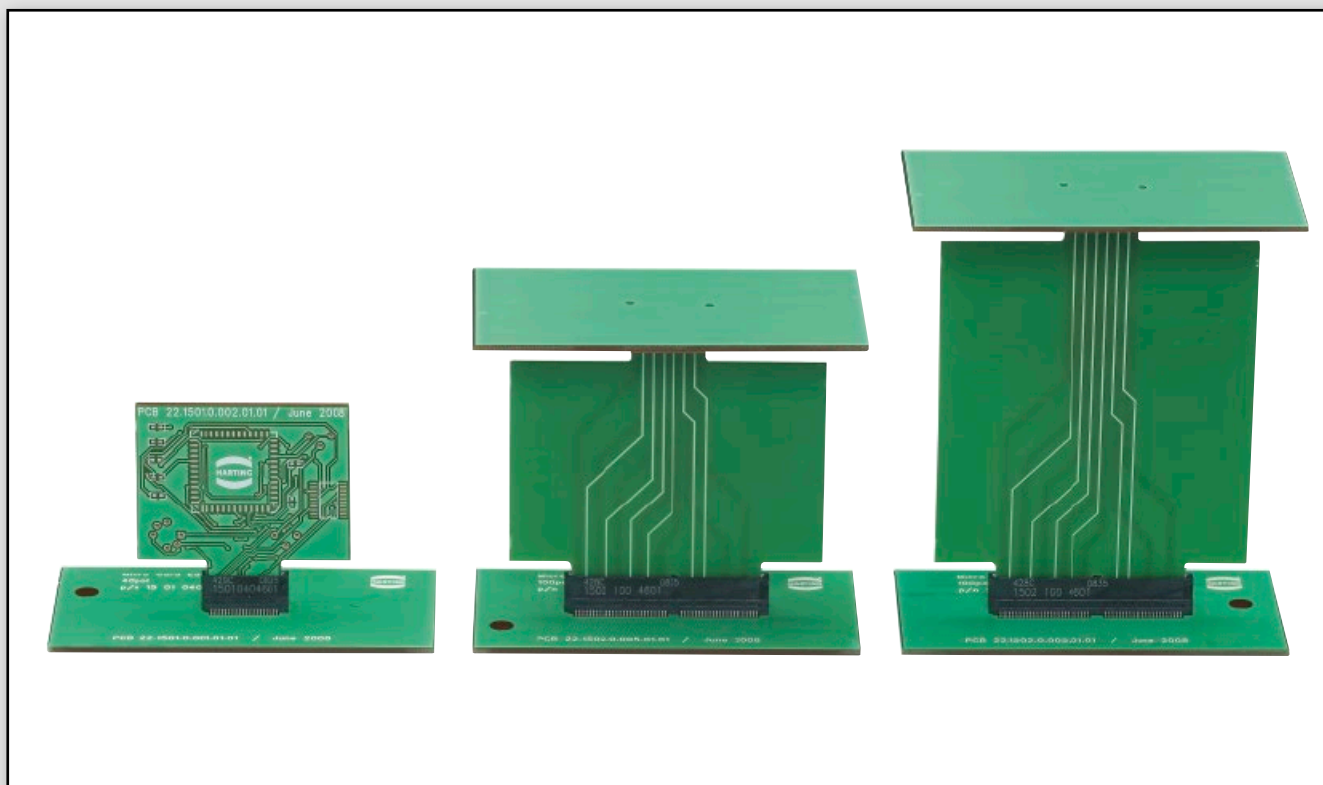
HARTING offers the new Micro Card Edge Connector in surface-mounting technology for card gauges of 1.6 mm. It is suitable for board to board mezzanine as well as for small ‘pluggable daughter card applications’. The key feature for mezzanine applications is the very flexible stacking height of parallel boards by utilizing a small board between the connectors. This gives flexibility in the mechanical design of the system.

The HARTING Micro Card Edge Connector is able to transfer data rates up to 14 Gbps, suitable for telecommunications, medical

and industrial high speed applications. It is available with 40 and 100 contacts at a pitch of 0.8 mm. An extremely smooth contact surface achieved by high performance stamping tools and a special after – treatment ensures low insertion forces and a high contact reliability.

HARTING’s Micro Card Edge Connector offers excellent manufacturing features like a tape & reel packaging with a pick & place pad for nozzle in high volume productions.

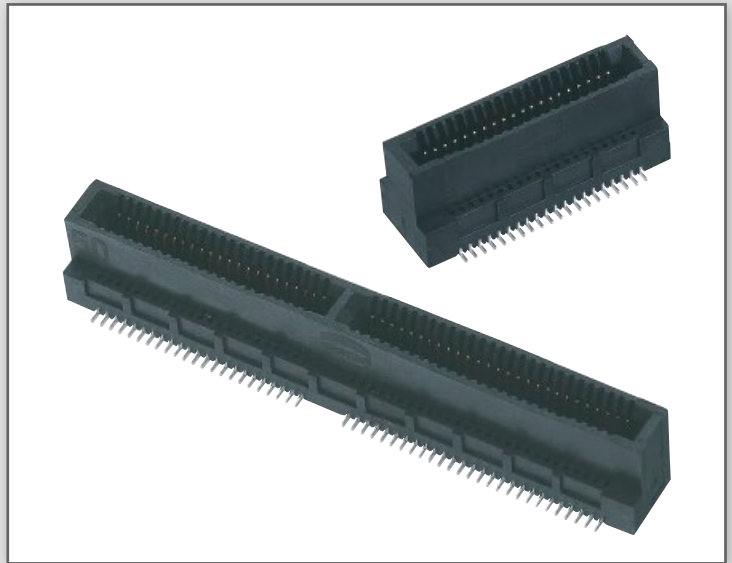
MCE



## Specific features of the product range

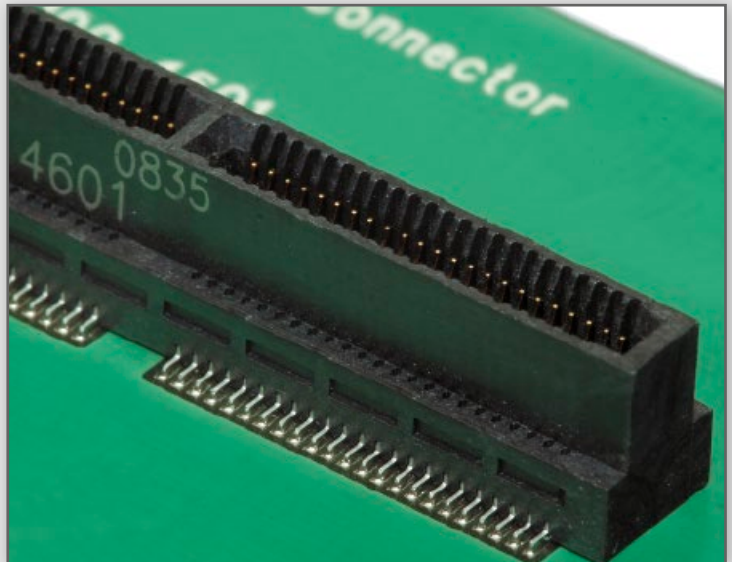


High speed data transmission up to 14 Gbps between mezzanine or daughter card boards in telecom, medical, datacom and industrial applications.

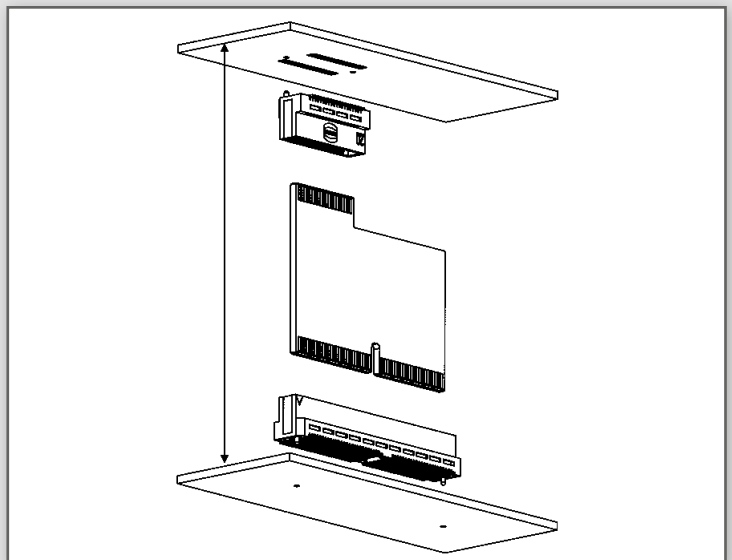


Excellent manufacturing features for high volume production

- SMT termination
- Tape & reel packaging with pick & place pad for nozzle



Flexible stacking height of parallel boards by utilizing a small board between the connectors.



# Notes



MCE

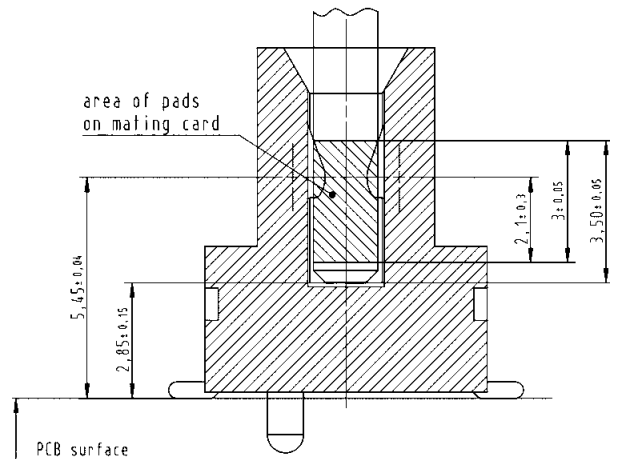
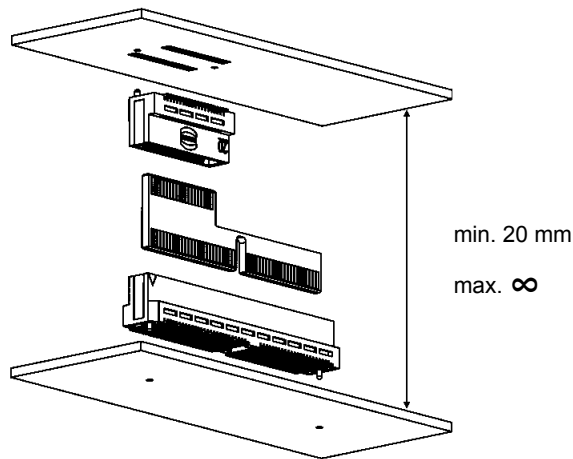
# Micro Card Edge connector

## Technical characteristics

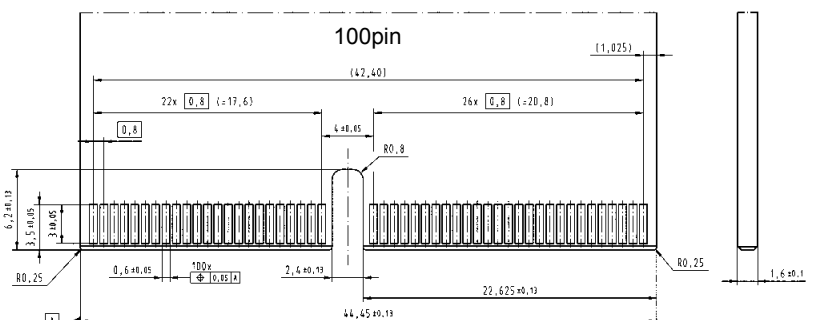
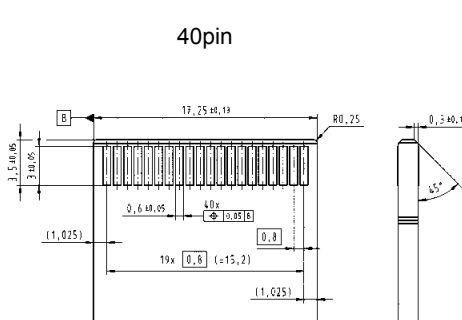


Contact spacing	: 0.8 mm
Working current	: 1.7 A at 80 °C ambient
Test voltage	: 600 V AC
Mating cycles	: 200
Number of contacts	: 40, 100
Mating card thickness	: 1.6 + 0.1 mm
Operating temperature	: -55 °C ... +125 °C
Max processing temperature	: 230 °C for 60 sec. or 260 °C for 20 sec.
ROHS-compliance	: yes
Materials	
Mouldings	: LCP, glass-fibre filled, UL 94-V0
Contacts	: Copper alloy with Ni plating
Contact surface	
Contact zone	: Pd/Ni plating with Au flash
Termination zone	: Sn/Ni plating

## Board dimensions



## Recommended mating card layout



MCE

# Micro Card Edge connector



## 40pin connector

Identification	Number of contacts	Part number	Drawing	Dimensions in mm
----------------	--------------------	-------------	---------	------------------

**Micro Card Edge connector**  
2800 pieces in a "Tape and Reel" packaging (14 reels with 200 pcs.)

40

15 01 040 4601 040

200 pieces in a "Tape and Reel" packaging

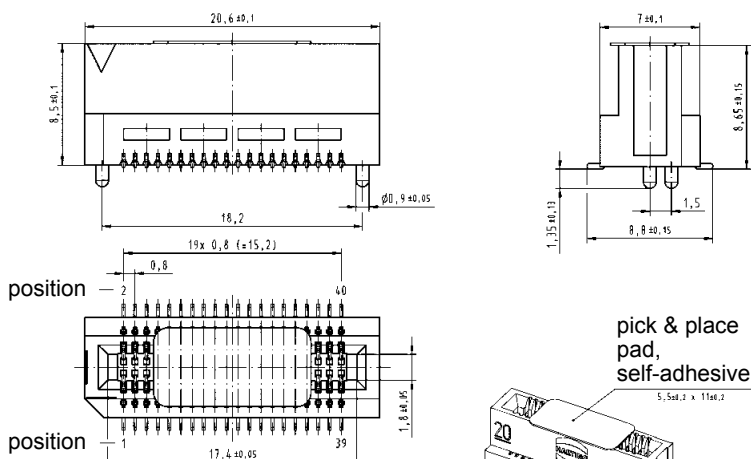
40

15 01 040 4601 042

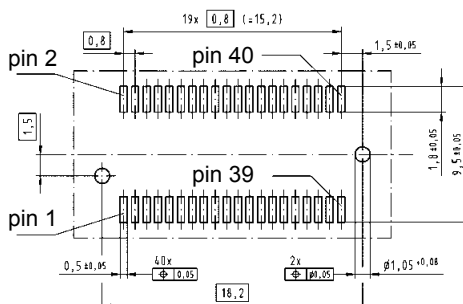
Single connector sample

40

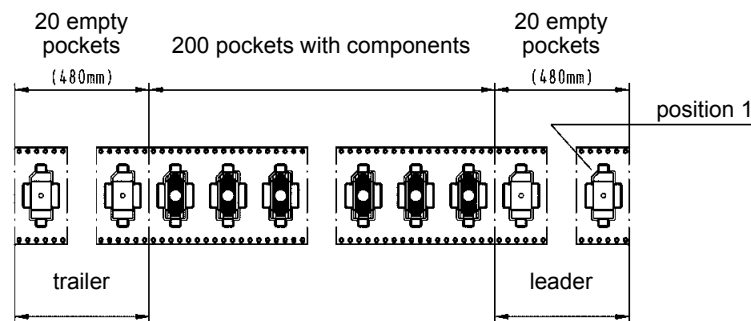
15 01 040 4601 333



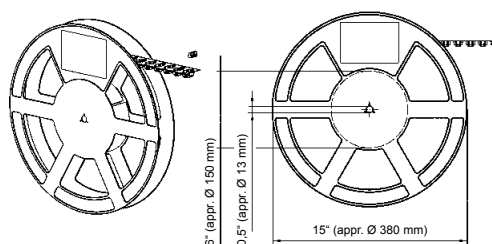
## Board layout



## "Tape and Reel" packaging



## Reel dimensions



MCE

# Micro Card Edge connector



## 100pin connector

Identification	Number of contacts	Part number	Drawing	Dimensions in mm
<b>Micro Card Edge connector</b> 1800 pieces in a "Tape and Reel" packaging (9 reels with 200 pcs.)  200 pieces in a "Tape and Reel" packaging  Single connector sample	100  100  100	15 02 100 4601 040  15 02 100 4601 042  15 02 100 4601 333		X (5:1)  pick & place pad, self-adhesive
Board layout				
"Tape and Reel" packaging				
Reel dimensions				

MCE