

# Han Hv E<sup>®</sup> / Han<sup>®</sup> Hv ES



Contents	Page
Han Hv E <sup>®</sup> .....	<b>04.3</b>
Han <sup>®</sup> 16 / 32 Hv E.....	<b>04.9</b>
Han <sup>®</sup> Hv ES .....	<b>04.12</b>
Contacts .....	<b>04.18</b>
Hoods/Housings .....	<b>04.19</b>

Han  
Hv E

# Difference: Han Hv E® to standard hoods/housings



Han Hv E

## Standard Hoods/Housings Han® B

Suitable for  
Han® Hv ES cage-clamp terminal  
and Han Hv E® crimp terminal

Coding bar



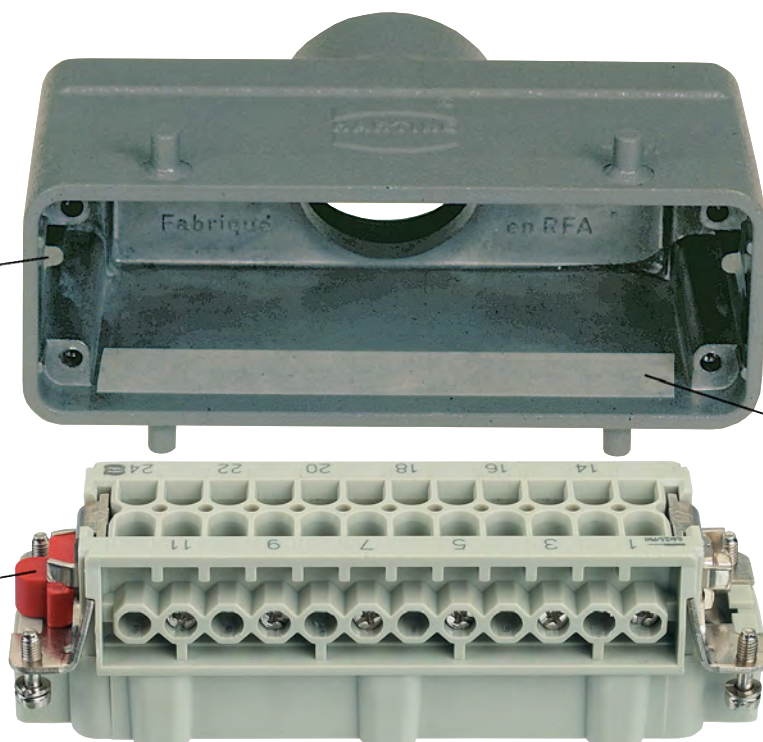
## Special hood/housing Han Hv E®

Suitable for  
Han Hv E® screw terminal

Milled coding bar

Insulation tape

Coding pin



# Han Hv E®



## Features

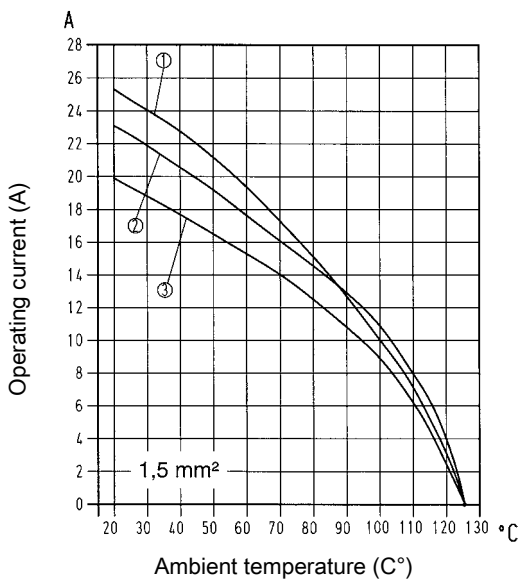
- Designed for application up to 830 V
- Available in several termination techniques

## Derating

### Current carrying capacity

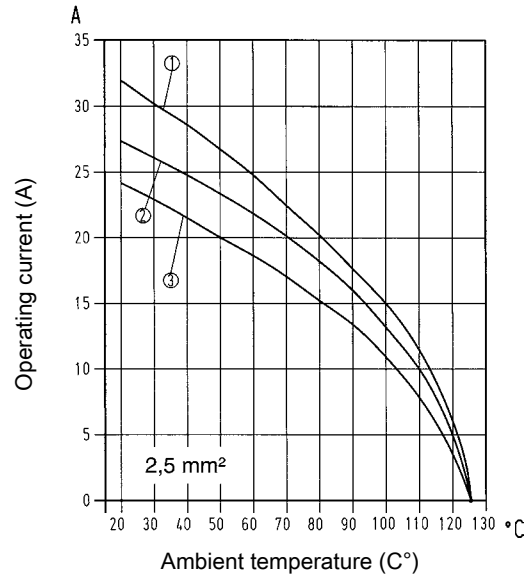
The current carrying capacity of the connectors is limited by the thermal load capability of the contact element material including the connections and the insulating parts. The derating curve is therefore valid for currents which flow constantly (non-intermittent) through each contact element of the connector evenly, without exceeding the allowed maximum temperature.

Measuring and testing techniques acc. to IEC 60512-5-2



- ① Han® 3 Hv E
- ② Han® 6 / 12 Hv E
- ③ Han® 10 / 16 / 20 / 32 Hv E

## Derating



- ① Han® 3 Hv E
- ② Han® 6 / 12 Hv E
- ③ Han® 10 / 16 / 20 / 32 Hv E

## Technical characteristics

Contacts	3, 6, 10, 12, 20
Electrical data acc. to IEC 61984	<b>16 A 830 V 8 kV 3</b>
Rated current	16 A
Rated voltage	830 V
Rated impulse voltage	8 kV
Pollution degree	3
Rated voltage acc. to UL	600 V
Rated voltage acc. to CSA	600 V
Insulation resistance	≥10 <sup>10</sup> Ohm
Limiting temperatures	-40 °C ... 125 °C
Flammability (insert) acc. to UL 94	V 0
Mating cycles	≥500
Tightening torque	0.5 Nm
Material (insert)	polycarbonate
Colour (insert)	RAL 7032 (light grey)
Material (contact)	copper alloy

## Specifications and approvals

IEC 61984  
IEC 60664-1



## Details

Han Hv E® screw requires special Han Hv E® housings

Han  
Hv E

# Han® 3 Hv E

Size 10 B



Number of contacts


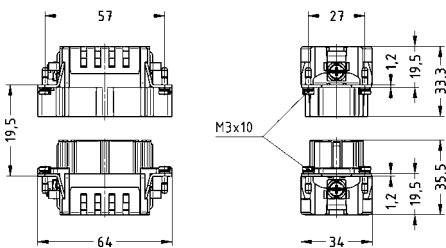

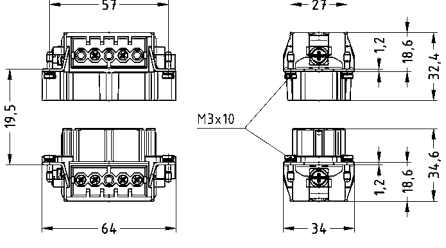
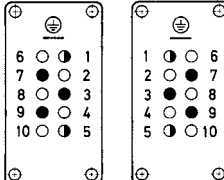
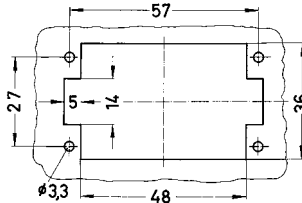
3+

830 V

16 A

+ 2 additional contacts for safe high voltage connections

Han  
Hv E

Identification	Wire cross section (mm²)	Part number		Drawing Dimensions in mm
		male	female	
Han Hv E®, Crimp terminal   <p>Please order crimp contacts separately.</p>		09 34 003 2602	09 34 003 2702	
Han Hv E®, Screw terminal, silver plated contacts, contact resistance ≤1 mOhm  	0.75 – 2.5	09 34 003 2601	09 34 003 2701	   <p style="text-align: center;">M                  F</p> <p>Contact arrangement (view from termination side) Han® 3 Hv E</p> <ul style="list-style-type: none"> <li>◆ Working contact</li> <li>● Relay contact</li> <li>○ Without contact</li> </ul>  <p>Panel cut out for inserts for use without hoods/housings</p>

# Han<sup>®</sup> 6 Hv E

Size 16 B




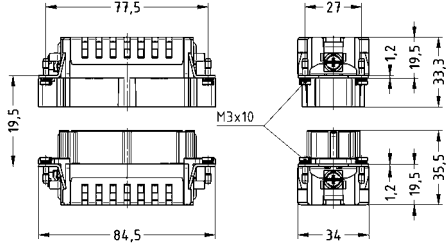

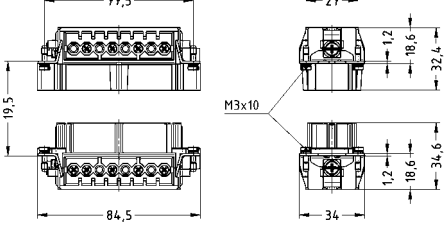
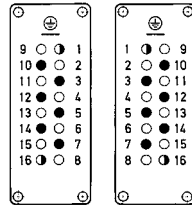
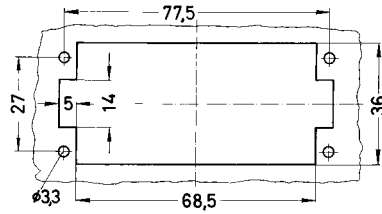
Number of contacts

6+

830 V

16 A

+ 2 additional contacts for safe high voltage connections

Identification	Wire cross section (mm <sup>2</sup> )	Part number male                      female		Drawing Dimensions in mm
<p>Han Hv E<sup>®</sup>, Crimp terminal</p>  <p>Please order crimp contacts separately.</p>		09 34 006 2602	09 34 006 2702	
<p>Han Hv E<sup>®</sup>, Screw terminal, silver plated contacts, contact resistance ≤1 mOhm</p> 	0.75 – 2.5	09 34 006 2601	09 34 006 2701	  <p>                     Contact arrangement (view from termination side)                      Han<sup>®</sup> 6 Hv E                      ♦ Working contact                      ● Relay contact                      ○ Without contact                 </p>  <p>Panel cut out for inserts for use without hoods/housings</p>

Han Hv E

# Han<sup>®</sup> 10 Hv E

Size 24 B



Number of contacts

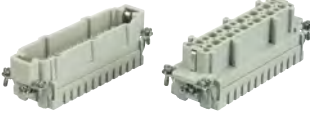
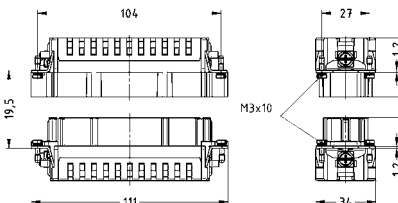

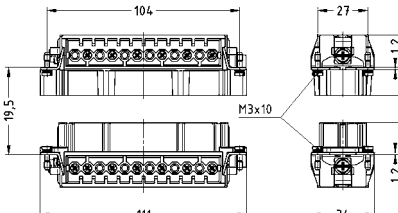
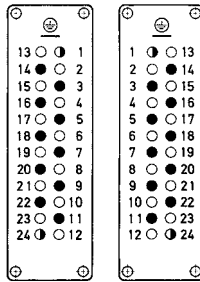
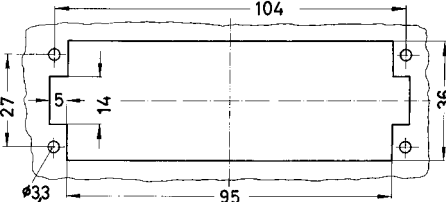
10+

830 V

16 A

+ 2 additional contacts for safe high voltage connections

Han  
Hv E

Identification	Wire cross section (mm <sup>2</sup> )	Part number male female		Drawing Dimensions in mm
<p>Han Hv E<sup>®</sup>, Crimp terminal</p>  <p>Please order crimp contacts separately.</p>		09 34 010 2602	09 34 010 2702	
<p>Han Hv E<sup>®</sup>, Screw terminal, silver plated contacts, contact resistance ≤1 mOhm</p> 	0.75–2.5	09 34 010 2601	09 34 010 2701	  <p style="text-align: center;">M                      F</p> <p>Contact arrangement (view from termination side) Han<sup>®</sup> 10 Hv E</p> <ul style="list-style-type: none"> <li>◆ Working contact</li> <li>● Relay contact</li> <li>○ Without contact</li> </ul>  <p>Panel cut out for inserts for use without hoods/housings</p>

# Han<sup>®</sup> 12 Hv E

Size 32 B




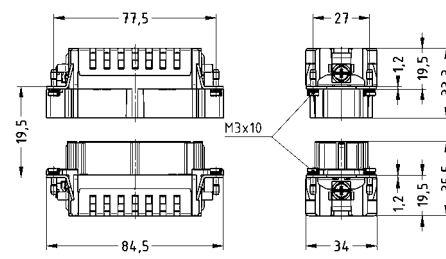

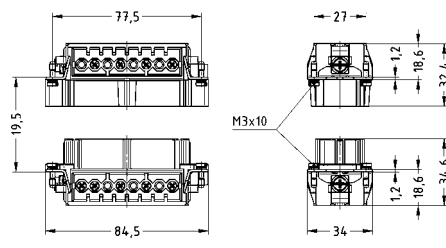
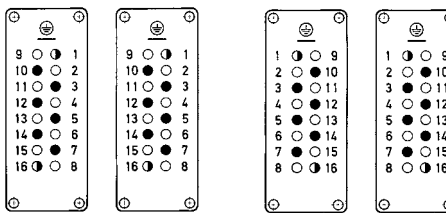
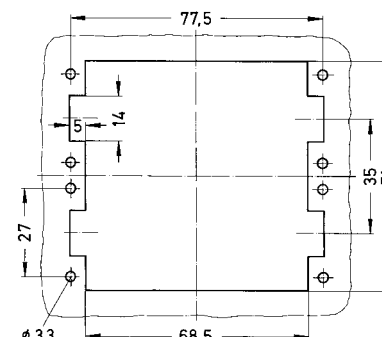
Number of contacts

# 12+

830 V

16 A

+ 4 additional contacts for safe high voltage connections

Identification	Wire cross section (mm <sup>2</sup> )	Part number male                  female		Drawing Dimensions in mm
<p>Han Hv E<sup>®</sup>, Crimp terminal</p>  <p>Please order crimp contacts separately. Please order two inserts for a complete assembly!</p>		09 34 006 2602	09 34 006 2702	
<p>Han Hv E<sup>®</sup>, Screw terminal, silver plated contacts, contact resistance ≤1 mOhm</p>  <p>Please order two inserts for a complete assembly!</p>	0.75 – 2.5	09 34 006 2601	09 34 006 2701	  <p style="text-align: center;"><b>M                                  F</b></p> <p>Contact arrangement (view from termination side) Han<sup>®</sup> 12 Hv E</p> <ul style="list-style-type: none"> <li>◆ Working contact</li> <li>● Relay contact</li> <li>○ Without contact</li> </ul>  <p>Panel cut out for inserts for use without hoods/housings</p>

Han Hv E

# Han® 20 Hv E

Size 48 B



Number of contacts

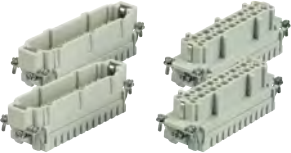
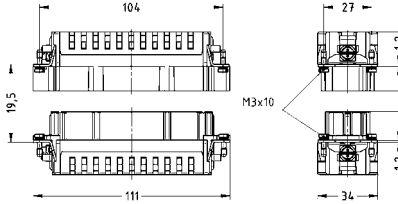

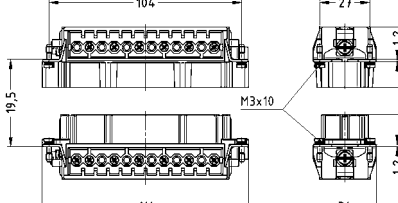
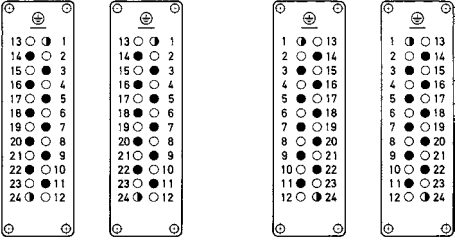
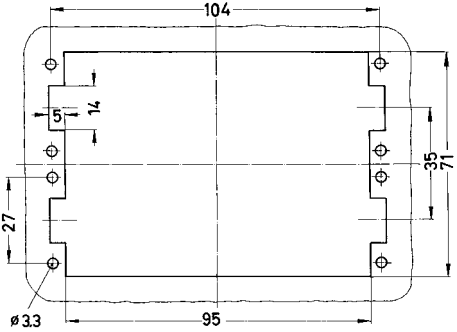
20+

830 V

16 A

+ 4 additional contacts for safe high voltage connections

Han  
Hv E

Identification	Wire cross section (mm²)	Part number male female		Drawing Dimensions in mm
<p>Han Hv E®, Crimp terminal</p>  <p>Please order crimp contacts separately. Please order two inserts for a complete assembly!</p>		09 34 010 2602	09 34 010 2702	
<p>Han Hv E®, Screw terminal, silver plated contacts, contact resistance ≤1 mOhm</p>  <p>Please order two inserts for a complete assembly!</p>	0.75 – 2.5	09 34 010 2601	09 34 010 2701	  <p><b>M</b> <b>F</b> Contact arrangement (view from termination side) Han® 20 Hv E</p> <ul style="list-style-type: none"> <li>◆ Working contact</li> <li>● Relay contact</li> <li>○ Without contact</li> </ul>  <p>Panel cut out for inserts for use without hoods/housings</p>



# Han<sup>®</sup> 16 / 32 Hv E



## Features

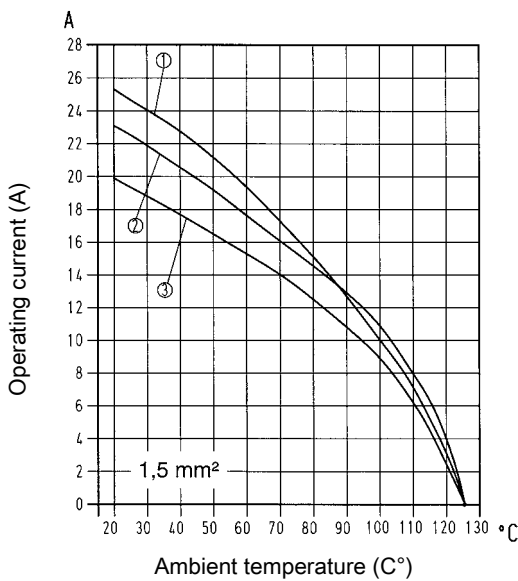
- Designed for application up to 690 V
- No special tools required

## Derating

### Current carrying capacity

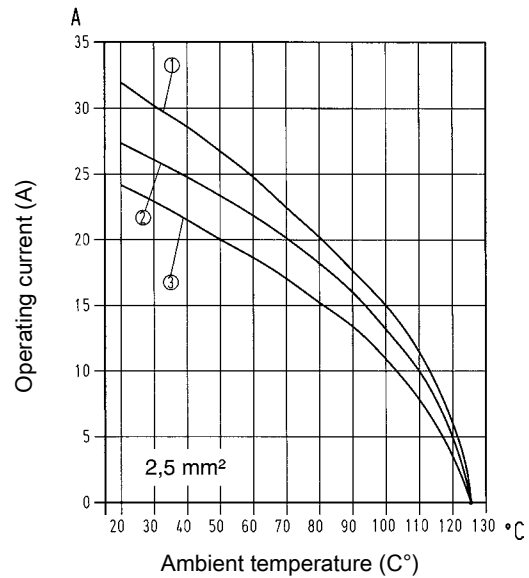
The current carrying capacity of the connectors is limited by the thermal load capability of the contact element material including the connections and the insulating parts. The derating curve is therefore valid for currents which flow constantly (non-intermittent) through each contact element of the connector evenly, without exceeding the allowed maximum temperature.

Measuring and testing techniques acc. to IEC 60512-5-2



- ① Han<sup>®</sup> 3 Hv E
- ② Han<sup>®</sup> 6 / 12 Hv E
- ③ Han<sup>®</sup> 10 / 16 / 20 / 32 Hv E

## Derating



- ① Han<sup>®</sup> 3 Hv E
- ② Han<sup>®</sup> 6 / 12 Hv E
- ③ Han<sup>®</sup> 10 / 16 / 20 / 32 Hv E

## Technical characteristics

Contacts	16, 32
Electrical data acc. to IEC 61984	<b>16 A 400/690 V 6 kV 3</b>
Rated current	16 A
Rated voltage conductor - ground	400 V
Rated voltage conductor - conductor	690 V
Rated impulse voltage	6 kV
Pollution degree	3
Rated voltage acc. to UL	600 V
Rated voltage acc. to CSA	600 V
Insulation resistance	≥10 <sup>10</sup> Ohm
Limiting temperatures	-40 °C ... 125 °C
Flammability (insert) acc. to UL 94	V 0
Mating cycles	≥500
Tightening torque	0.5 Nm
Material (insert)	polycarbonate
Colour (insert)	RAL 7032 (light grey)
Material (contact)	copper alloy

## Specifications and approvals

IEC 60664-1  
IEC 61984



## Details

Han Hv E<sup>®</sup> screw requires special Han Hv E<sup>®</sup> housings

Han  
Hv E

# Han® 16 Hv E

Size 24 B



Number of contacts


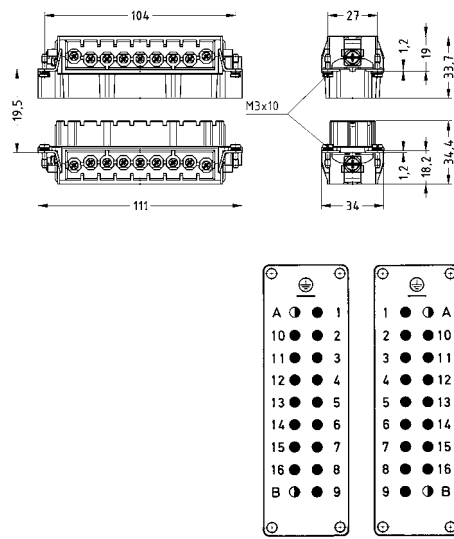
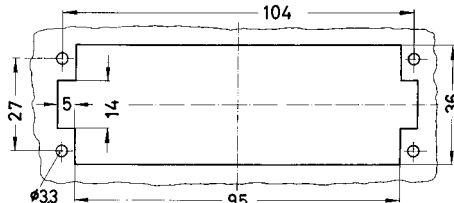
16+

400/690 V

16 A

+ 2 additional contacts for safe high voltage connections

Han  
Hv E

Identification	Wire cross section (mm <sup>2</sup> )	Part number male female		Drawing Dimensions in mm
<p>Han Hv E®, Screw terminal, silver plated contacts, contact resistance ≤1 mOhm</p> 	<p>0.75 – 2.5</p>	<p>09 34 016 2601</p>	<p>09 34 016 2701</p>	 <p>                     Contact arrangement (view from termination side)                      Han® 16 Hv E                      ♦ Working contact                      ● Relay contact                      ○ Without contact                 </p>  <p>Panel cut out for inserts for use without hoods/housings</p>

# Han® 32 Hv E

Size 48 B



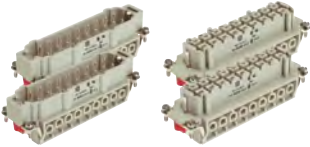
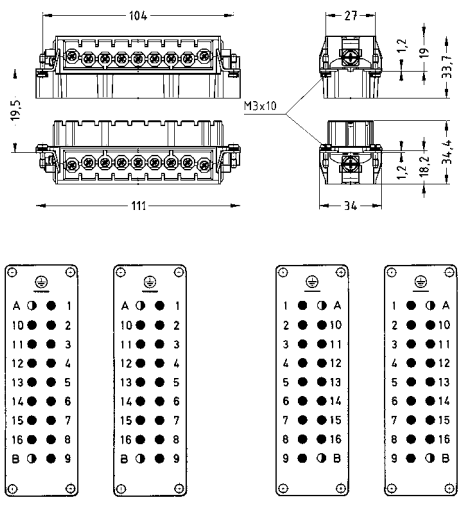
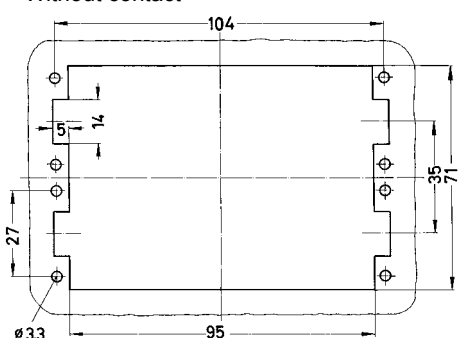
Number of contacts

# 32+

400/690 V

16 A

+ 4 additional contacts for safe high voltage connections

Identification	Wire cross section (mm <sup>2</sup> )	Part number male                  female		Drawing Dimensions in mm
<p>Han Hv E®, Screw terminal, silver plated contacts, contact resistance ≤1 mOhm</p>  <p>Please order two inserts for a complete assembly!</p>	<p>0.75–2.5</p>	<p>09 34 016 2601</p>	<p>09 34 016 2701</p>	 <p><b>M</b>                                  <b>F</b></p> <p>Contact arrangement (view from termination side) Han® 32 Hv E</p> <ul style="list-style-type: none"> <li>◆ Working contact</li> <li>● Relay contact</li> <li>○ Without contact</li> </ul>  <p>Panel cut out for inserts for use without hoods/housings</p>

Han  
Hv E

# Han® Hv ES



## Features

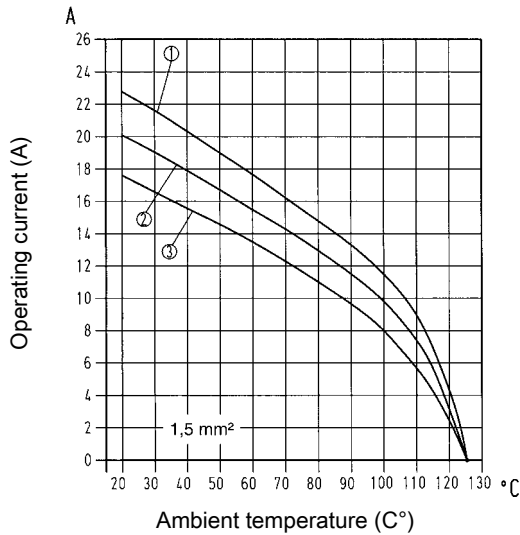
- Designed for application up to 830 V
- Reliable cage clamp termination
- No special tools required
- Vibration proofed

## Derating

### Current carrying capacity

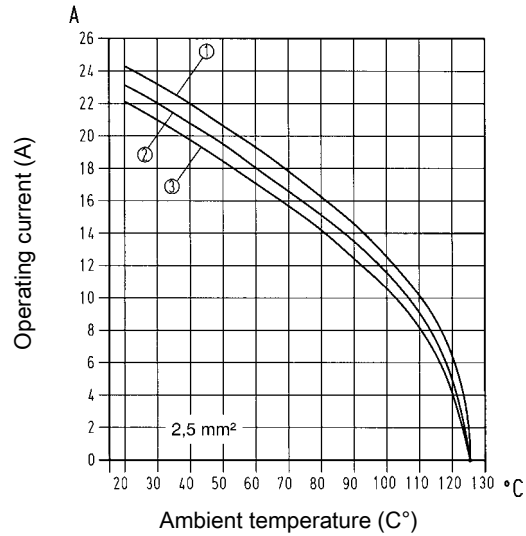
The current carrying capacity of the connectors is limited by the thermal load capability of the contact element material including the connections and the insulating parts. The derating curve is therefore valid for currents which flow constantly (non-intermittent) through each contact element of the connector evenly, without exceeding the allowed maximum temperature.

Measuring and testing techniques acc. to IEC 60512-5-2



- ① Han® 3 Hv ES
- ② Han® 6 Hv ES / Han® 12 Hv ES
- ③ Han® 10 Hv ES / Han® 20 Hv ES

## Derating



- ① Han® 3 Hv ES
- ② Han® 6 Hv ES / Han® 12 Hv ES
- ③ Han® 10 Hv ES / Han® 20 Hv ES

## Technical characteristics

Contacts	3, 6, 10, 12, 20
Electrical data acc. to IEC 61984	<b>16 A 830 V 8 kV 3</b>
Rated current	16 A
Rated voltage	830 V
Rated impulse voltage	8 kV
Pollution degree	3
Rated voltage acc. to UL	600 V
Rated voltage acc. to CSA	600 V
Insulation resistance	≥10 <sup>10</sup> Ohm
Limiting temperatures	-40 °C ... 125 °C
Flammability (insert) acc. to UL 94	V 0
Mating cycles	≥500
Tightening torque	0.5 Nm
Material (insert)	polycarbonate
Colour (insert)	RAL 7032 (light grey)
Material (contact)	copper alloy

## Specifications and approvals

IEC 61984  
IEC 60664-1



## Details

Not plug compatible to Han Hv E® screw/crimp terminal

# Han<sup>®</sup> 3 Hv ES

Size 10 B


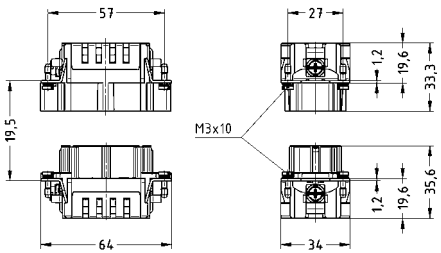
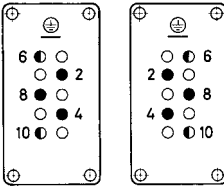
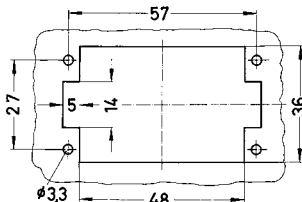


Number of contacts

**3+**

830 V  
16 A

+ 2 additional contacts for safe high voltage connections

Identification	Wire cross section (mm <sup>2</sup> )	Part number		Drawing Dimensions in mm
		male	female	
<p>Han<sup>®</sup> Hv ES, Cage-clamp terminal, silver plated contacts, contact resistance ≤3 mOhm</p>  <p>not plug compatible to Han Hv E<sup>®</sup> screw/crimp terminal</p>	0.14 – 2.5	09 34 003 2616	09 34 003 2716	  <p style="text-align: center;">M                  F</p> <p>Contact arrangement (view from termination side) Han<sup>®</sup> 3 Hv ES ◆ Working contact ● Relay contact ○ Without contact</p>  <p>Panel cut out for inserts for use without hoods/housings</p>

Han Hv E

# Han® 6 Hv ES

Size 16 B



Number of contacts


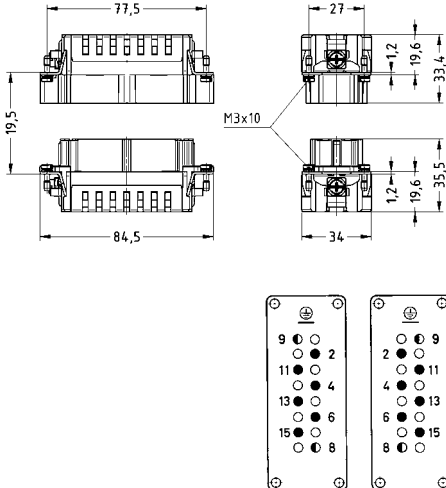
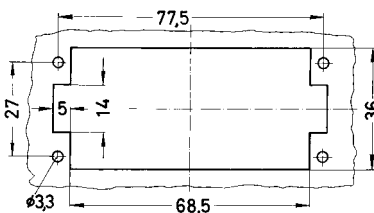
6+

830 V

16 A

+ 2 additional contacts for safe high voltage connections

Han  
Hv E

Identification	Wire cross section (mm <sup>2</sup> )	Part number		Drawing Dimensions in mm
		male	female	
<p>Han® Hv ES, Cage-clamp terminal, silver plated contacts, contact resistance ≤3 mOhm</p>  <p>not plug compatible to Han Hv E® screw/crimp terminal</p>	<p>0.14 – 2.5</p>	<p>09 34 006 2616</p>	<p>09 34 006 2716</p>	 <p>                     Contact arrangement (view from termination side)                      Han® 6 Hv ES                      ◆ Working contact                      ● Relay contact                      ○ Without contact                 </p>  <p>Panel cut out for inserts for use without hoods/housings</p>

# Han<sup>®</sup> 10 Hv ES

Size 24 B




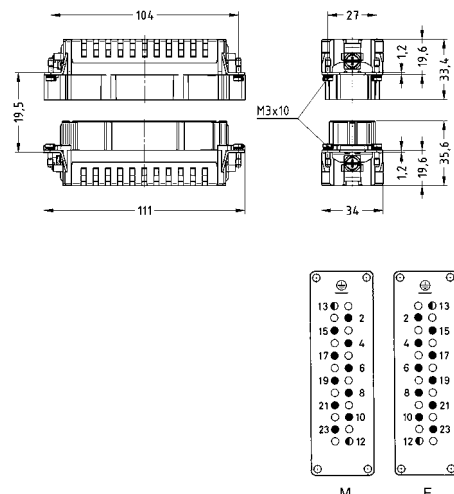
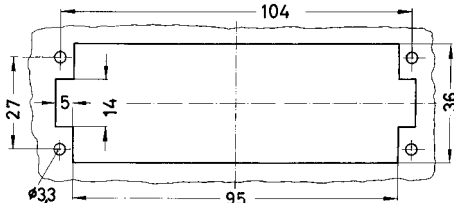
Number of contacts

10+

830 V

16 A

+ 2 additional contacts for safe high voltage connections

Identification	Wire cross section (mm <sup>2</sup> )	Part number male                  female		Drawing Dimensions in mm
<p>Han<sup>®</sup> Hv ES, Cage-clamp terminal, silver plated contacts, contact resistance ≤3 mOhm</p>  <p>not plug compatible to Han Hv E<sup>®</sup> screw/crimp terminal</p>	<p>0.14 – 2.5</p>	<p>09 34 010 2616</p>	<p>09 34 010 2716</p>	 <p>                     Contact arrangement (view from termination side)                      Han<sup>®</sup> 10 Hv ES                      ◆ Working contact                      ● Relay contact                      ○ Without contact                 </p>  <p>Panel cut out for inserts for use without hoods/housings</p>

Han Hv E

# Han® 12 Hv ES

Size 32 B



Number of contacts

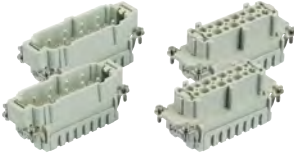
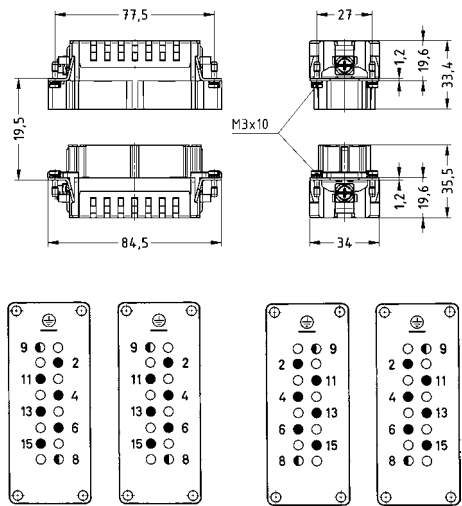
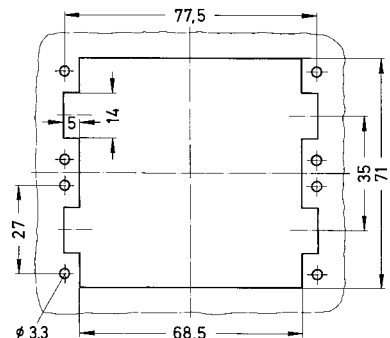
12+

830 V

16 A

+ 4 additional contacts for safe high voltage connections

Han Hv E

Identification	Wire cross section (mm <sup>2</sup> )	Part number		Drawing Dimensions in mm
		male	female	
<p>Han® Hv ES, Cage-clamp terminal, silver plated contacts, contact resistance ≤3 mOhm</p>  <p>not plug compatible to Han Hv E® screw/crimp terminal Please order two inserts for a complete assembly!</p>	0.14 – 2.5	09 34 006 2616	09 34 006 2716	 <p><b>M</b> <b>F</b> Contact arrangement (view from termination side) Han® 12 Hv ES</p>  <p>Panel cut out for inserts for use without hoods/housings</p>



# Han® 20 Hv ES

Size 48 B



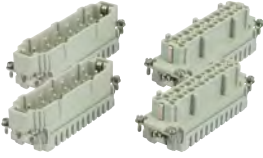
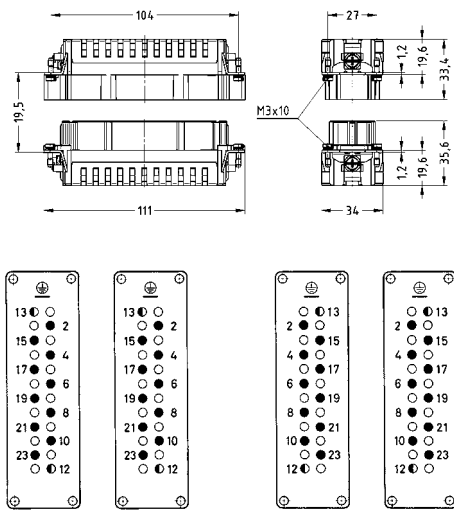
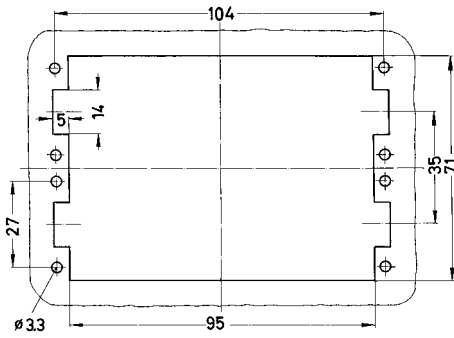
Number of contacts

**20+**

830 V

16 A

+ 4 additional contacts for safe high voltage connections

Identification	Wire cross section (mm <sup>2</sup> )	Part number male                      female		Drawing Dimensions in mm
<p>Han® Hv ES, Cage-clamp terminal, silver plated contacts, contact resistance ≤3 mOhm</p>  <p>not plug compatible to Han Hv E® screw/crimp terminal Please order two inserts for a complete assembly!</p>	<p>0.14 – 2.5</p>	<p>09 34 010 2616</p>	<p>09 34 010 2716</p>	 <p><b>M</b>                      <b>F</b> Contact arrangement (view from termination side) Han® 20 Hv ES</p>  <p>Panel cut out for inserts for use without hoods/housings</p>

Han Hv E

# Contacts



Han  
Hv E

## Technical characteristics

Material (contact) copper alloy

## Specifications and approvals

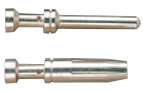
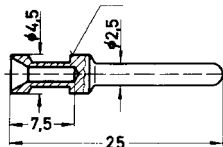
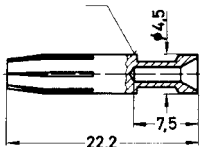

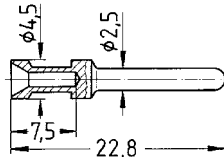
IEC 60664-1  
IEC 61984

## Details

**Crimping tools** see chapter 90

### Remarks on the crimp technique

The wire gauges mentioned in the catalogue refer to geometric wire gauges of cables.

Identification	Wire cross section (mm <sup>2</sup> )	Part number		Drawing Dimensions in mm																											
		male	female																												
Han E®, Crimp contact, silver plated contacts, contact resistance ≤1 mOhm  	0.5	09 33 000 6121	09 33 000 6220	  <table border="1" data-bbox="1005 1131 1468 1355"> <thead> <tr> <th>Identification</th> <th>Wire gauge</th> <th>Stripping length</th> </tr> </thead> <tbody> <tr> <td>no groove</td> <td>0.14-0.37 mm<sup>2</sup> AWG 26-22</td> <td>7.5 mm</td> </tr> <tr> <td>no groove</td> <td>0.5 mm<sup>2</sup> AWG 20</td> <td>7.5 mm</td> </tr> <tr> <td>1 groove*</td> <td>0.75 mm<sup>2</sup> AWG 18</td> <td>7.5 mm</td> </tr> <tr> <td>1 groove</td> <td>1 mm<sup>2</sup> AWG 18</td> <td>7.5 mm</td> </tr> <tr> <td>2 grooves</td> <td>1.5 mm<sup>2</sup> AWG 16</td> <td>7.5 mm</td> </tr> <tr> <td>3 grooves</td> <td>2.5 mm<sup>2</sup> AWG 14</td> <td>7.5 mm</td> </tr> <tr> <td>wide groove</td> <td>3 mm<sup>2</sup> AWG 12</td> <td>7.5 mm</td> </tr> <tr> <td>no groove</td> <td>4 mm<sup>2</sup> AWG 12</td> <td>7.5 mm</td> </tr> </tbody> </table> <p>* on the back crimp collar</p>	Identification	Wire gauge	Stripping length	no groove	0.14-0.37 mm <sup>2</sup> AWG 26-22	7.5 mm	no groove	0.5 mm <sup>2</sup> AWG 20	7.5 mm	1 groove*	0.75 mm <sup>2</sup> AWG 18	7.5 mm	1 groove	1 mm <sup>2</sup> AWG 18	7.5 mm	2 grooves	1.5 mm <sup>2</sup> AWG 16	7.5 mm	3 grooves	2.5 mm <sup>2</sup> AWG 14	7.5 mm	wide groove	3 mm <sup>2</sup> AWG 12	7.5 mm	no groove	4 mm <sup>2</sup> AWG 12	7.5 mm
	Identification	Wire gauge	Stripping length																												
	no groove	0.14-0.37 mm <sup>2</sup> AWG 26-22	7.5 mm																												
	no groove	0.5 mm <sup>2</sup> AWG 20	7.5 mm																												
	1 groove*	0.75 mm <sup>2</sup> AWG 18	7.5 mm																												
	1 groove	1 mm <sup>2</sup> AWG 18	7.5 mm																												
	2 grooves	1.5 mm <sup>2</sup> AWG 16	7.5 mm																												
	3 grooves	2.5 mm <sup>2</sup> AWG 14	7.5 mm																												
wide groove	3 mm <sup>2</sup> AWG 12	7.5 mm																													
no groove	4 mm <sup>2</sup> AWG 12	7.5 mm																													
0.75	09 33 000 6114	09 33 000 6214																													
1	09 33 000 6105	09 33 000 6205																													
1.5	09 33 000 6104	09 33 000 6204																													
2.5	09 33 000 6102	09 33 000 6202																													
3	09 33 000 6106	09 33 000 6206																													
4	09 33 000 6107	09 33 000 6207																													
Han E®, Relay contact, silver plated contacts, contact resistance ≤1 mOhm  	0.75 - 1	09 33 000 6109		 Stripping length 7.5 mm																											
	1.5	09 33 000 6110																													
	2.5	09 33 000 6111																													

# Hoods/Housings



## Technical characteristics

Limiting temperatures	-40 °C ... 125 °C
Flammability (locking lever) acc. to UL 94	V 0
Degree of protection acc. to IEC 60529	IP65
Material (hoods/housings)	aluminium
Surface (hoods/housings)	powder-coated
Colour (hoods/housings)	RAL 7037 (grey)
Material (locking lever)	polycarbonate + stainless steel
Material (seal)	NBR

## Specifications and approvals

NEMA 4/4x/12



## Details

**Standard hoods/housings** see chapter 31

Han  
Hv E


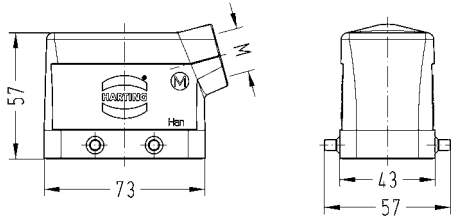

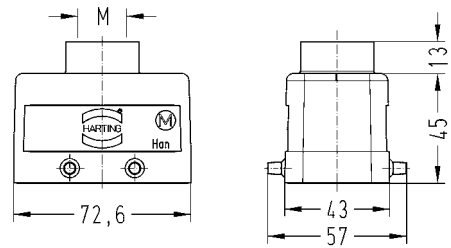

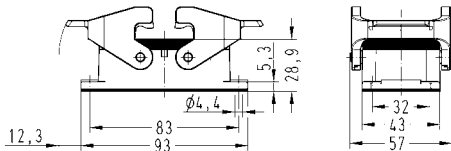

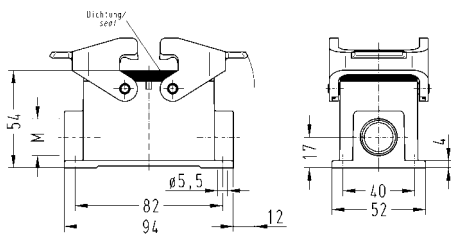

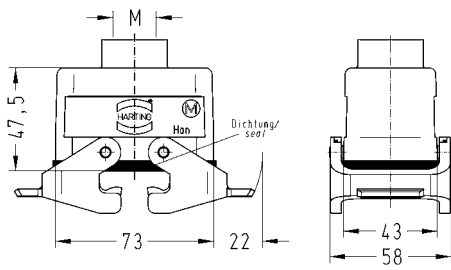
# Hoods/Housings

Size 10 B



Special hood/housing for Han Hv E® screw terminal double locking lever

Han Hv E


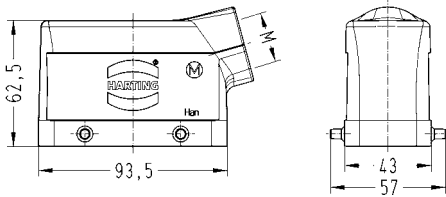

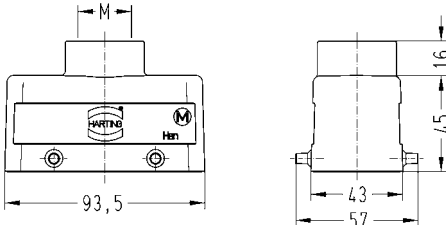

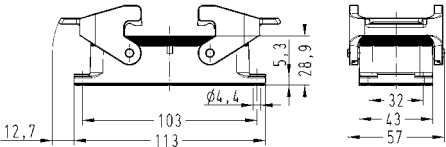

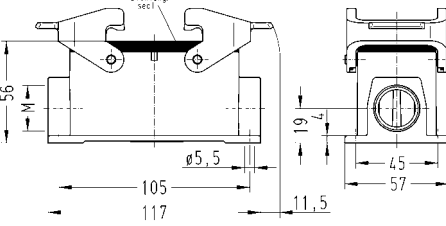

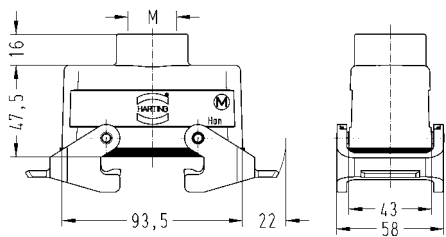
Identification	Cable entry	Part number	Drawing Dimensions in mm
Han Hv E®, Hoods, side entry  	1xM20	19 34 003 0520	
Han Hv E®, Hoods, top entry  	1xM20 1xM25	19 34 003 0420 19 34 003 0421	
Han Hv E®, Bulkhead mounted housings, Han-Easy Lock®  		09 34 003 0301	 Panel cut out 60 x 35 mm
Han Hv E®, Surface mounted housings, side entry, Han-Easy Lock®  	2xM20	19 34 003 0270	
Han Hv E®, Cable to cable housings, top entry, Han-Easy Lock®  	1xM20 1xM25	19 34 003 0730 19 34 003 0731	

# Hoods/Housings

Size 16 B



Special hood/housing for Han Hv E® screw terminal double locking lever

Identification	Cable entry	Part number	Drawing Dimensions in mm
Han Hv E®, Hoods, side entry  	1xM25	19 34 006 0521	
Han Hv E®, Hoods, top entry  	1xM25	19 34 006 0421	
Han Hv E®, Bulkhead mounted housings, Han-Easy Lock®  		09 34 006 0301	 <p>Panel cut out 82 x 35mm</p>
Han Hv E®, Surface mounted housings, side entry, Han-Easy Lock®  	2xM25	19 34 006 0271	
Han Hv E®, Cable to cable housings, top entry, Han-Easy Lock®  	1xM25 1xM32	19 34 006 0731 19 34 006 0732	

Han Hv E


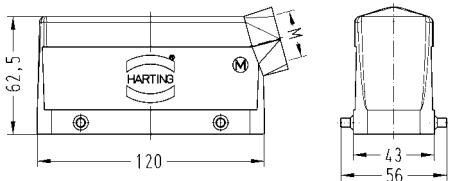

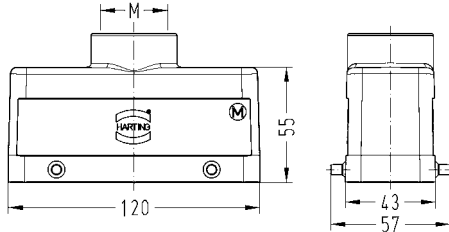

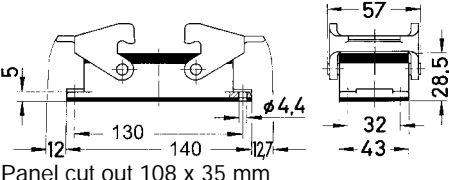

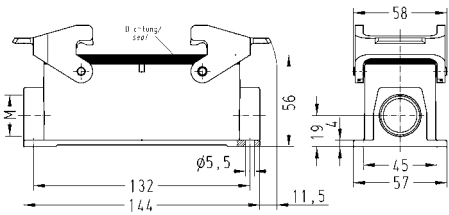

# Hoods/Housings

Size 24 B



Special hood/housing for Han Hv E® screw terminal double locking lever

Han Hv E

Identification	Cable entry	Part number	Drawing Dimensions in mm
Han Hv E®, Hoods, side entry  	1xM25	19 34 010 0521	
Han Hv E®, Hoods, top entry  	1xM32	19 34 010 0422	
Han Hv E®, Bulkhead mounted housings, Han-Easy Lock®  		09 34 010 0301	 <p>Panel cut out 108 x 35 mm</p>
Han Hv E®, Surface mounted housings, side entry, Han-Easy Lock®  	2xM25	19 34 010 0271	
Han Hv E®, Cable to cable housings, top entry, Han-Easy Lock®  	1xM32	19 34 010 0732	