

3D Model 
(STP&.IGS&.PDF)

1.27mm Mini Jumper

SPECIFICATIONS

Current Rating: 1.0AMP
 Contact Resistance: 30mΩ Max
 Insulation Resistance: 500MΩ Min
 Withstand Voltage: 100V AC/Minute
 Operation Temperature: -40°C to +105°C
 Contact Material: Phosphor Bronze
 Contact plating: Au Or Sn Over Ni
 Insulator Material: Polyester (UL94V-0)
 Standard: PBT Black+30%GF



PE Bag
(Standard)

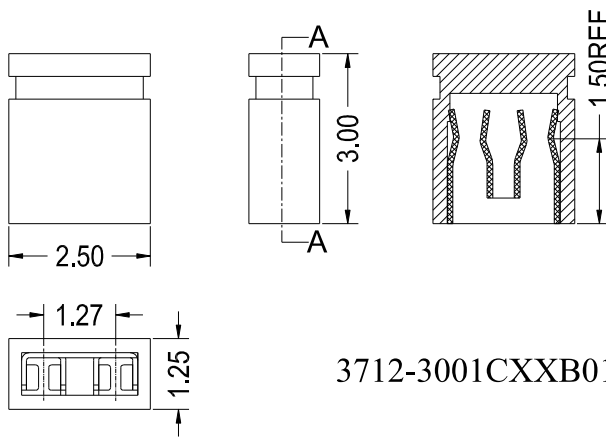


3712-3001CXXB01



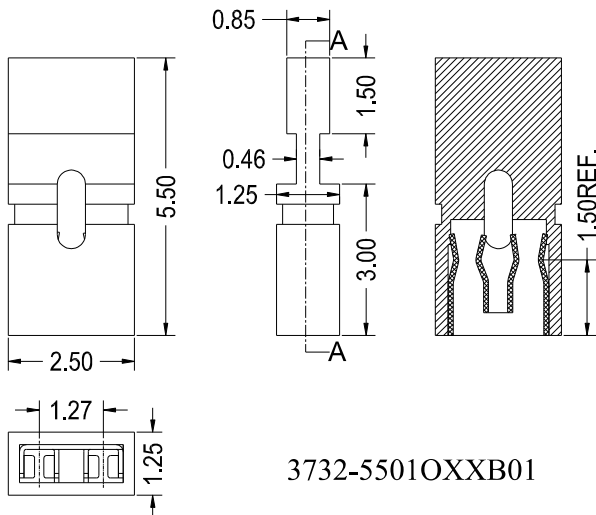
3732-5501OXXB01

3712 -	<u>XX</u>	01	<u>X</u>	<u>S0</u>	<u>B</u>	0	1
	Hight Of Housing 30:3.00 55:5.50		Housing Shape O:Open C:Close	Contact Plating S0:Gold Flash On Contact,Tin On Tail	Colour of Housing B:Black(Standard) W:White U:Blue Y:Yellow R:Red N:Green		



3712-3001CXXB01

3732 -	<u>XX</u>	01	<u>X</u>	<u>S0</u>	<u>B</u>	0	1
	Hight Of Housing 30:3.00 55:5.50		Housing Shape O:Open C:Close	Contact Plating S0:Gold Flash On Contact,Tin On Tail	Colour of Housing B:Black(Standard) W:White U:Blue Y:Yellow R:Red N:Green		



3732-5501OXXB01

3D Model 
(STP&.IGS&.PDF)

1.27mm Mini Jumper

SPECIFICATIONS

Current Rating: 1.0AMP
 Contact Resistance: 30mΩ Max
 Insulation Resistance: 500MΩ Min
 Withstand Voltage: 100V AC/Minute
 Operation Temperature: -40°C to +105°C
 Contact Material: Phosphor Bronze
 Contact plating: Au Or Sn Over Ni
 Insulator Material: Polyester (UL94V-0)
 Standard: PBT Black+30%GF

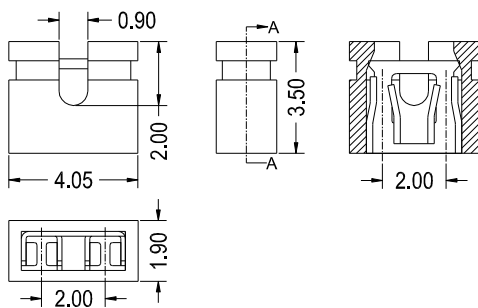


PE Bag
(Standard)

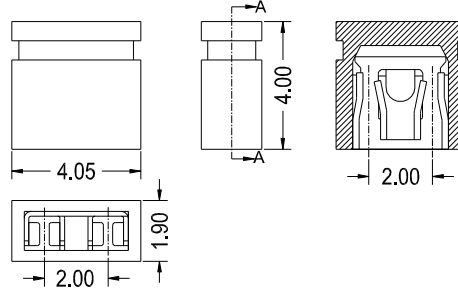


3711 -	<u>XX</u>	<u>XO</u>	<u>X</u>	<u>S0</u>	<u>B</u>	0	1
	Hight Of Housing 30:3.00 55:5.50	No.Of Body Connect	Housing Shape O:Open C:Close	Contact Plating S0:Gold Flash On Contact,Tin On Tail	Colour of Housing B:Black(Standard) W:White U:Blue Y:Yellow R:Red N:Green		

3711-3501OXXB01

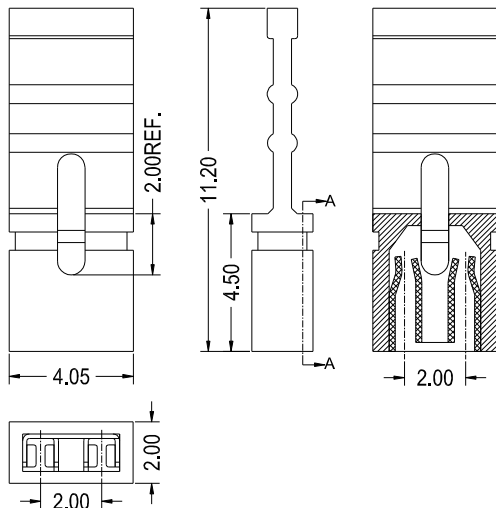


3711-4001CXXB01

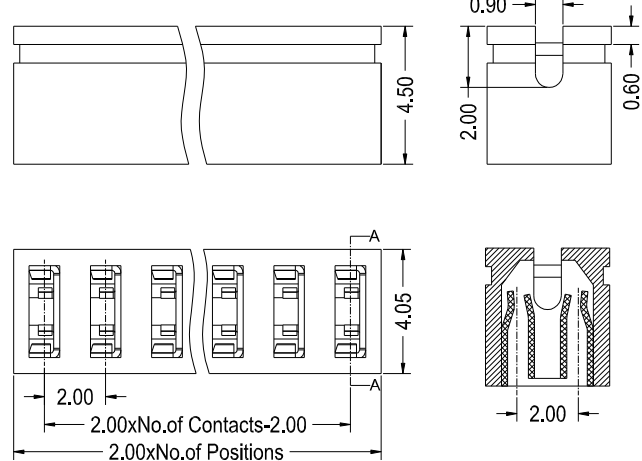


3721 3731 -	<u>XX</u>	01	<u>X</u>	<u>S0</u>	<u>B</u>	0	1
	Hight Of Housing 30:3.00 55:5.50		Housing Shape O:Open C:Close	Contact Plating S0:Gold Flash On Contact,Tin On Tail	Colour of Housing B:Black(Standard) W:White U:Blue Y:Yellow R:Red N:Green		

3731-110XOXXB01



3721-450XOXXB01



3D Model (STP&IGS&PDF)

2.54mm Mini Jumper

SPECIFICATIONS

Current Rating: 3.0AMP
 Contact Resistance: 20mΩ Max
 Insulation Resistance: 1000MΩ Min
 Withstand Voltage: 1000V AC/Minute
 Operation Temperature: -40°C to +105°C
 Contact Material: Brass
 Contact plating: Au Or Sn Over Ni
 Insulator Material: Polyester (UL94V-0)
 Standard: PBT Black + 30%GF

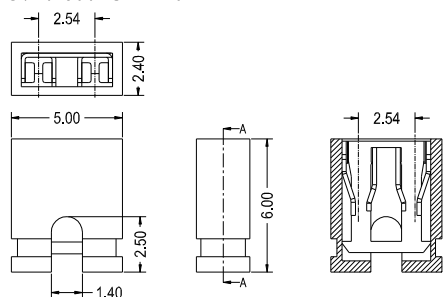


PE Bag (Standard)

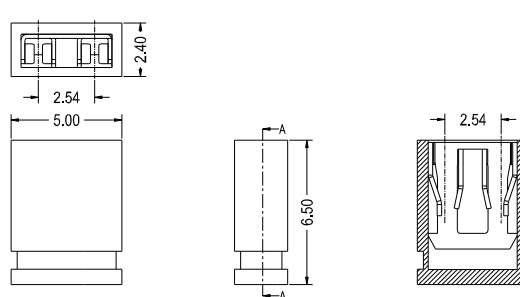


3710	—	<u>XX</u>	<u>XO</u>	<u>X</u>	<u>S0</u>	<u>B</u>	<u>0</u>	<u>1</u>
3720								
3730								
		High Of Housing	No.Of Body Connect	Housing Shape	Contact Plating	Colour of Housing		
		45:4.50		O:Open	S0:Gold Flash On Contact,Tin On Tail	B:Black(Standard)		
		60:6.00		C:Close		W:White U:Blue		
		65:6.50				Y:Yellow R:Red		
		85:8.50				N:Green		
		13:13.50						

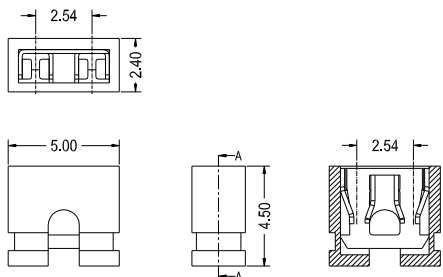
3710-6001OXXB01



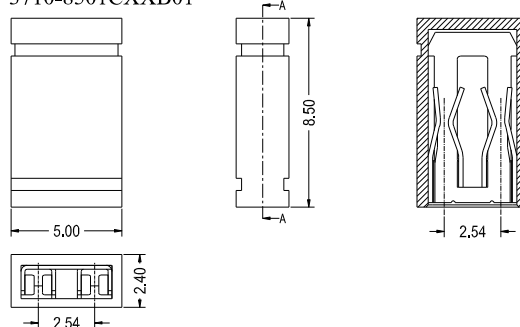
3710-6501CXXB01



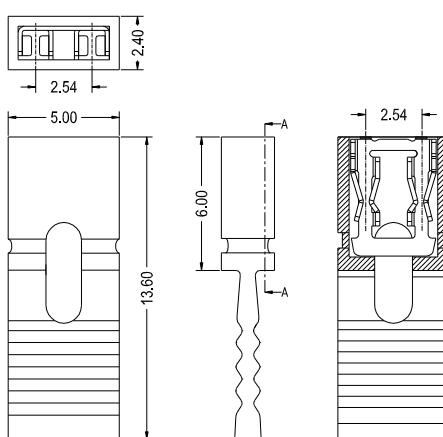
3710-4501OXXB01



3710-8501CXXB01



3730-1301OXXB01



3720-600XOXXB01

