



## 0.635mm Contact Spacing, Board To Board SMT Connectors

### EBB-PS25 SERIES

#### ■ FEATURES

- 0.635mm contact spacing.
- No. of contacts: 20~60 Pin. (each 10 pin)
- Polarization key prevent mismatching.
- Available in embossed type for automatic mounting.

#### ■ SPECIFICATIONS

##### 1.ELECTRICAL

- Voltage rating: 100VAC
- Current rating: 0.5A per contact
- Contact resistance: 40mΩ max.
- Insulation resistance: 1000MΩ min.
- Withstanding voltage: 250VAC for 1 min.
- Ambient operating Temperature: -40°C ~ +85°C

##### 2.MECHANICAL

- Durability: Mate & Unmate with applicability for 250 times, Contact resistance: 20mΩ max.
- Connector Mating Force (50Pin): 3.5kgf (34.3N)
- Connector Unmating Force (50 Pin): 0.6kgf (5.88N)
- Terminal Retention Force: 0.2kgf (1.96N) min.

#### ■ MATERIALS

##### 1.MATERIAL

- Contacts: Copper Alloy
- Insulator Housing: High Temp. Thermoplastic
- Hold down: Copper Alloy

##### 2.PLATING

###### Contact:

- Nickel In All Area
- Au over Nickel (Socket & Plug Connector) (RoHS Compliant)
- Tin & Au over Nickel (Plug Connector only) (RoHS Compliant)

###### Hold down:

- Nickel In All Area
- Tin over Nickel (RoHS Compliant)

#### ■ PACKING

##### 1.Packing method

- All connector are packed in reel method.

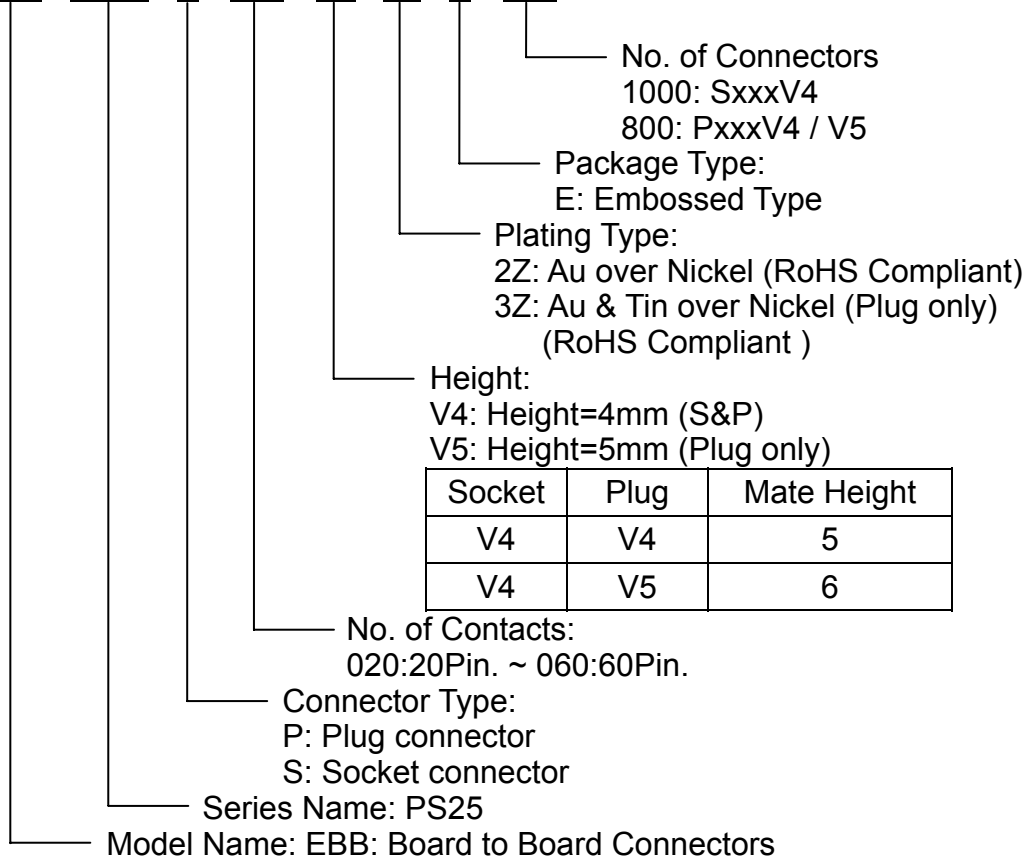
##### 2.Information on label (stuck to each ploy bag, reel and box)

- |              |                  |              |              |
|--------------|------------------|--------------|--------------|
| (1)Part NO.  | (2)Section.      | (3)Lot NO.   | (4)Quantity. |
| (5)QC stamp. | (6)Reprocess NO. | (7)ECE mark. |              |



## ■ PART NUMBERING SYSTEM

**EBB - PS25 - P 020 V4 - 3Z - E 800**



## ■ DIMENSIONS UNIT:mm

**EBB-PS25-P0\*\*V4/V5**

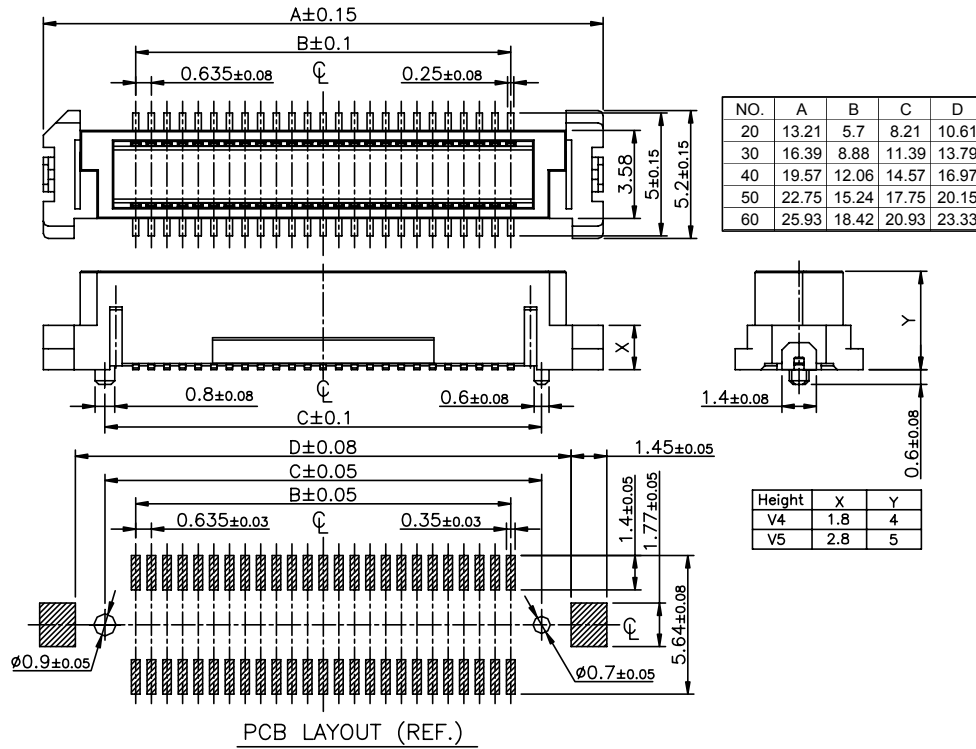


**EBB-PS25-S0\*\*V4**





EBB-PS25-P0xxVx UNIT:mm  
Connection Style: Straight Plug



EBB-PS25-S0xxV4 UNIT:mm  
Connection Style: Straight Receptacle

