



0.5mm Contact Spacing, Board To Board SMT Connectors

EBB-PT26 SERIES

■ FEATURES

- 0.5mm contact spacing.
- No. of contacts: 10~60 pin.
- Stacking height: 1.5mm
- Polarization key prevent mismatching.
- Available in embossed type for automatic mounting.

■ SPECIFICATIONS

1.ELECTRICAL

- Voltage rating: 50VAC
- Current rating: 0.5A
- Contact resistance: 40mΩ max.(initial), 80mΩ max.(final)
- Insulation resistance: 500MΩ min.(initial), 100MΩ min.(final)

2.MECHANICAL

- Durability: Mate & Unmate with applicability for 30 times, Contact resistance: 40mΩ max.(initial), 80mΩ max.(final).
- Connector Mating Force: 0.2kgf(1.96N)*(n: Pin) max.
- Connector Unmating Force: 0.01kgf(0.098N)*(n:Pin) min.
- Terminal Retention Force: 0.1kgf(0.98N) min.

■ MATERIALS

1.MATERIAL

- Contacts: Copper Alloy
- Insulator Housing: High Temp. Thermoplastic

2.PLATING

Contact:

- Nickel In All Area.
- Au over Nickel (RoHS Compliant)

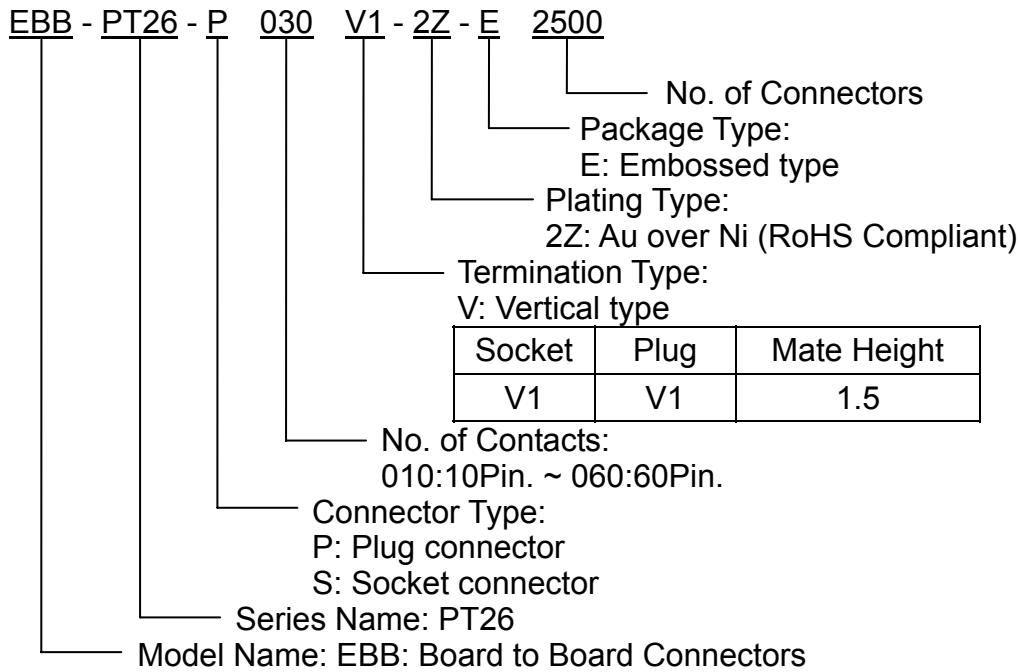
■ PACKING

1.Packing method

- All connectors are packed in reel method.

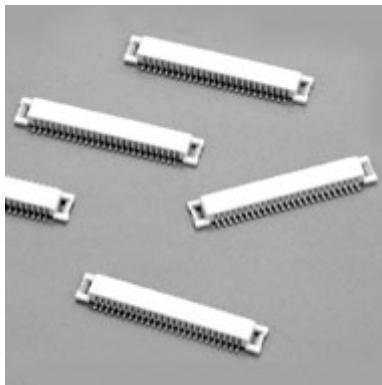


■ PART NUMBERING SYSTEM

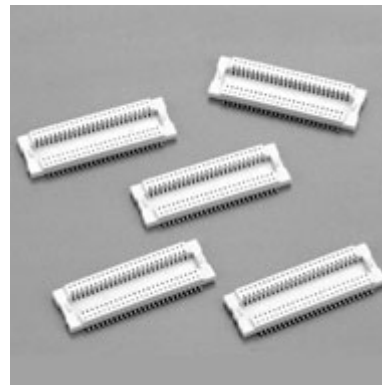


■ DIMENSIONS UNIT:mm

EBB-PT26-P**V*

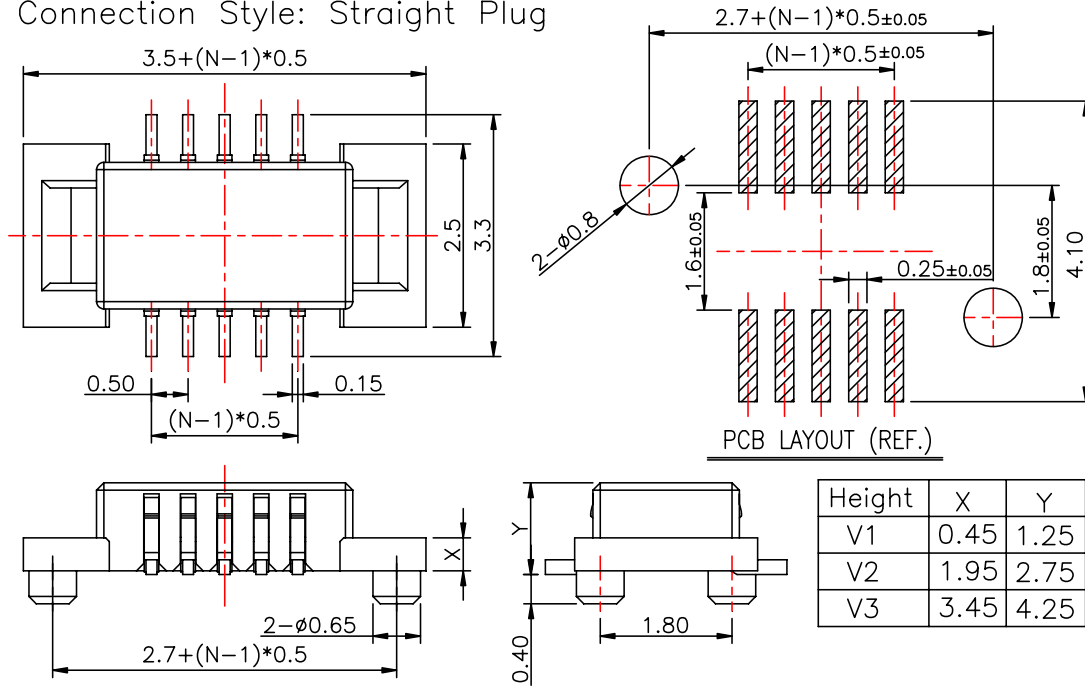


EBB-PT26-S**V1





EBB-PT26-PxxVx UNIT:mm
Connection Style: Straight Plug



EBB-PT26-S**V1 UNIT:mm
Connection Style: Straight Receptacle

