



1.25mm Contact Spacing, Board To Wire Header Connectors EBW-PK26 SERIES (Housing & Terminal Type)

■ FEATURES

- 1.25mm contact spacing.
- No. of contacts: 2~15 pin.
- Polarization key prevent mismatching.
- Applicable Wire: AWG #28.#30.#32
- Insulation O.D.: 1.00mm (max.)

■ SPECIFICATIONS

1.ELECTRICAL

- Voltage rating: 125V AC,DC
- Current rating: 0.8~1.0A AC,DC
- Contact resistance: 20mΩ max.
- Contact resistance on crimped portion: 5mΩ max.
- Insulation resistance: 100MΩ min.
- Withstanding voltage: 500V AC/min.
- Ambient Temperature Range: -25°C~+85°C

2.MECHANICAL

- Durability: Mated up to 50 cycles repeatedly by the rate of 10 cycles per minute, Contact resistance: 40mΩ max.
- Crimping Pull Out Force:
AWG#28: 1.0kgf min.
AWG#30: 0.8kgf min.
AWG#32: 0.5kgf min.
- Terminal Insertion Force: 0.5kgf max.
- Terminal/Housing Retention Force: 0.5kgf min.

■ MATERIALS

1.MATERIAL

- Contacts: Phosphor Bronze, Brass
- Insulator Housing:
High Temp. Thermoplastic.

2.PLATING

- Contact:**
- Nickel In All Area
 - Tin over Nickel. (RoHS Compliant)

■ PACKING

1.Packing method

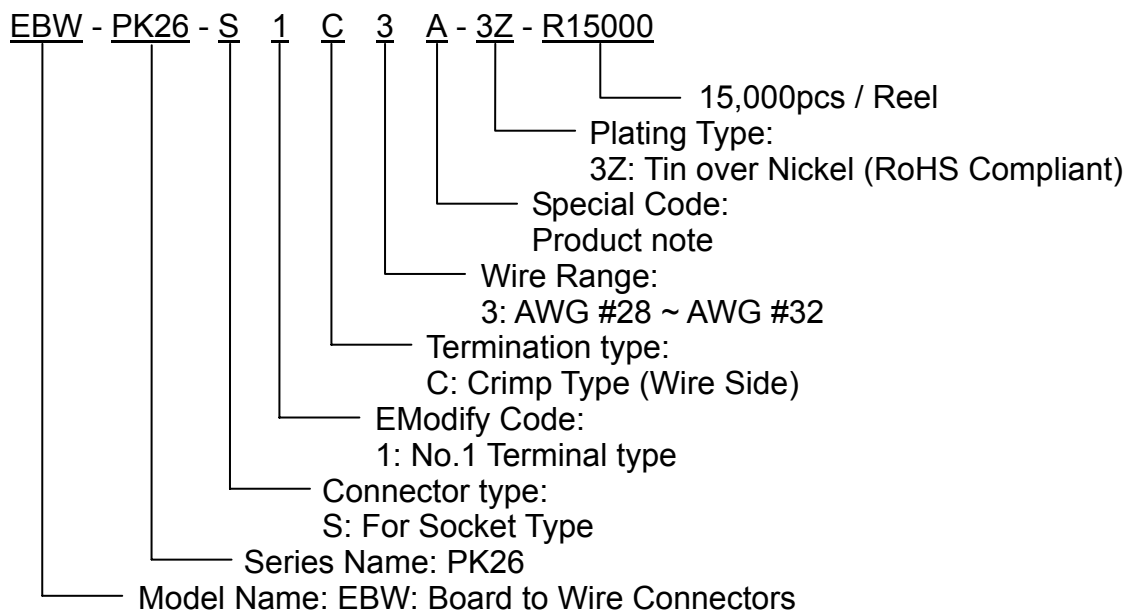
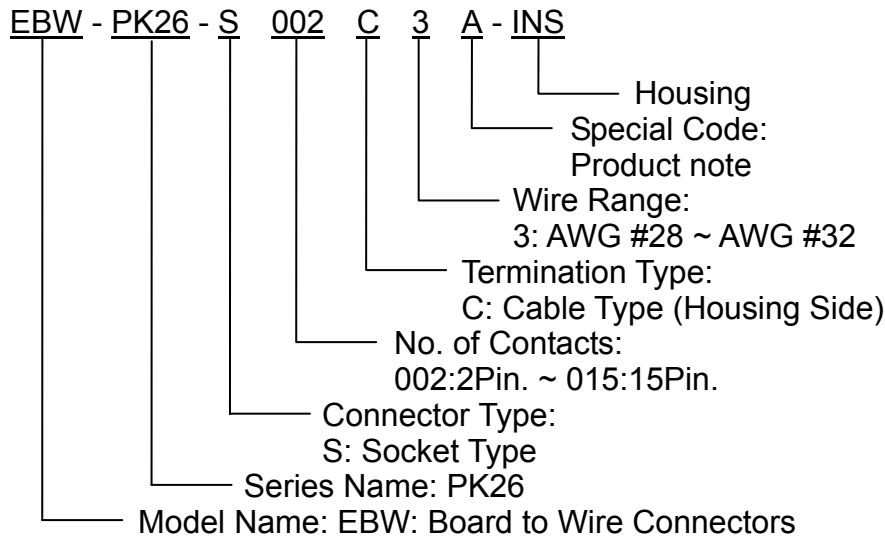
1-1.All connector are packed in reel and bag method.

2.Information on label (stuck to each ploy bag, reel and box)

- | | | | |
|--------------|------------------|--------------|--------------|
| (1)Part NO. | (2)Section. | (3)Lot NO. | (4)Quantity. |
| (5)QC stamp. | (6)Reprocess NO. | (7)ECE mark. | |

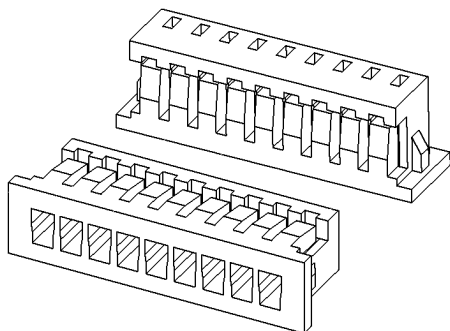


■ PART NUMBERING SYSTEM



■ DIMENSIONS UNIT:mm

EBW-PK26-S*C3**

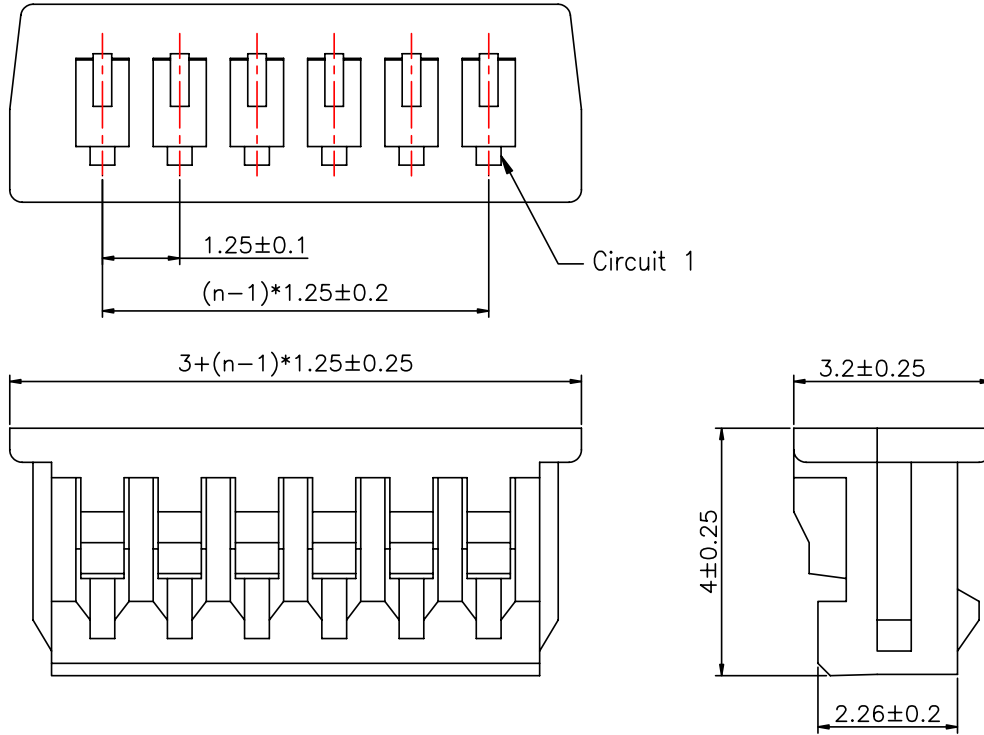


EBW-PK26-S1C3-10000





EBW-PK26-S**C3A UNIT:mm
Connection Style : Socket Housing



EBW-PK26-S1C3A-15000 UNIT:mm
Connection Style : Contacts

