



0.6mm Contact Spacing, Board To Wire Connectors

EBW26 SERIES

■ FEATURES

- 0.6mm contact spacing.
- No. of contacts: 2~16pin.
- Connector Heights: 1.45mm
- Board To Wire Connector for SMT.

■ SPECIFICATIONS

1.ELECTRICAL

- Voltage rating: 30VDC
- Current rating: 0.2A (AWG #36)
- Contact resistance:
30mΩ max. (initial)
- Insulation resistance: 100MΩ min.
- Withstanding Voltage: 200V AC/min.

2.MECHANICAL

- Durability: Mate & Unmate with applicability for 20 times, Contact resistance: 30mΩ max. (initial), 50mΩ max. (final)
- Terminal Retention Force: 0.15kgf min.

■ MATERIALS

1.MATERIAL

- Contacts: Phosphor Bronze
- Insulator Housing:
High Temp Thermoplastic

2.PLATING

Contact:

- Nickel In All Area
- Sn over Nickel (RoHS Compliant)
- Au over Nickel (RoHS Compliant)

■ PACKING

1.Packing method

- All connector are packed in Tube or reel methods.

2.Information on label (stuck to each ploy bag, reel and box)

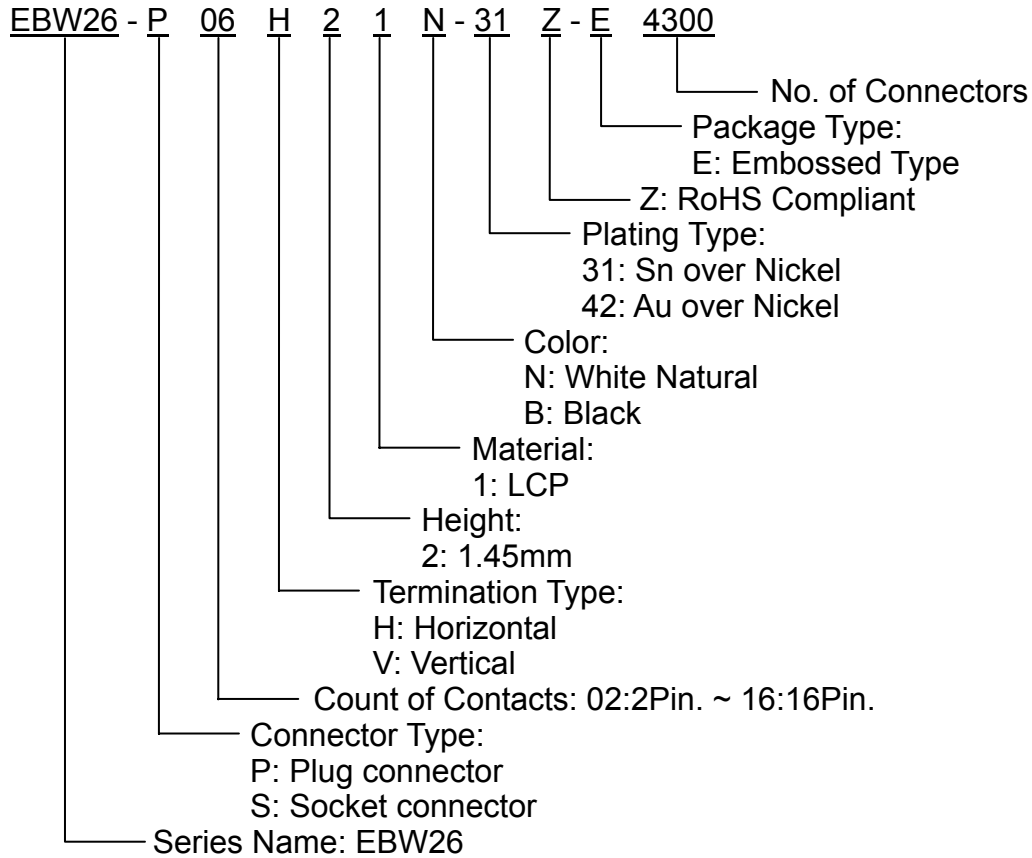
- | | | | |
|--------------|------------------|--------------|--------------|
| (1)Part NO. | (2)Section. | (3)Lot NO. | (4)Quantity. |
| (5)QC stamp. | (6)Reprocess NO. | (7)ECE mark. | |

EBW26-PxxH21N-31Z





PART NUMBERING SYSTEM



DIMENSIONS UNIT:mm

