



## 6.5mm Contact Spacing, Battery Connectors

### EIO-CL26 V TYPE SERIES

#### ■ FEATURES

- 6.5mm contact spacing.
- No. of contact: 3pin.
- Available in embossed type for automatic mounting.

#### ■ SPECIFICATIONS

##### 1.ELECTRICAL

- Voltage rating: 12VDC
- Current rating: 1.5A
- Contact resistance: 30mΩ max.
- Insulation resistance: 10MΩ min.

##### 2.MECHANICAL

- Durability: Mate & Unmate with applicability for 10000 times, Contact resistance: 50mΩ max.
- Normal Force: Measure normal force at contact point deflection 1.1mm, Requirements: 112.2gf min., 153gf max.
- Retention Force: 300gf min.

#### ■ MATERIALS

##### 1.MATERIAL

- Contacts: Copper Alloy
- Insulator Housing:  
High Temp. Thermoplastic

##### 2.PLATING

###### Contact:

- Nickel In All Area
- Tin & Au over Nickel (RoHS Compliant)

#### ■ PACKING

##### 1.Packing method

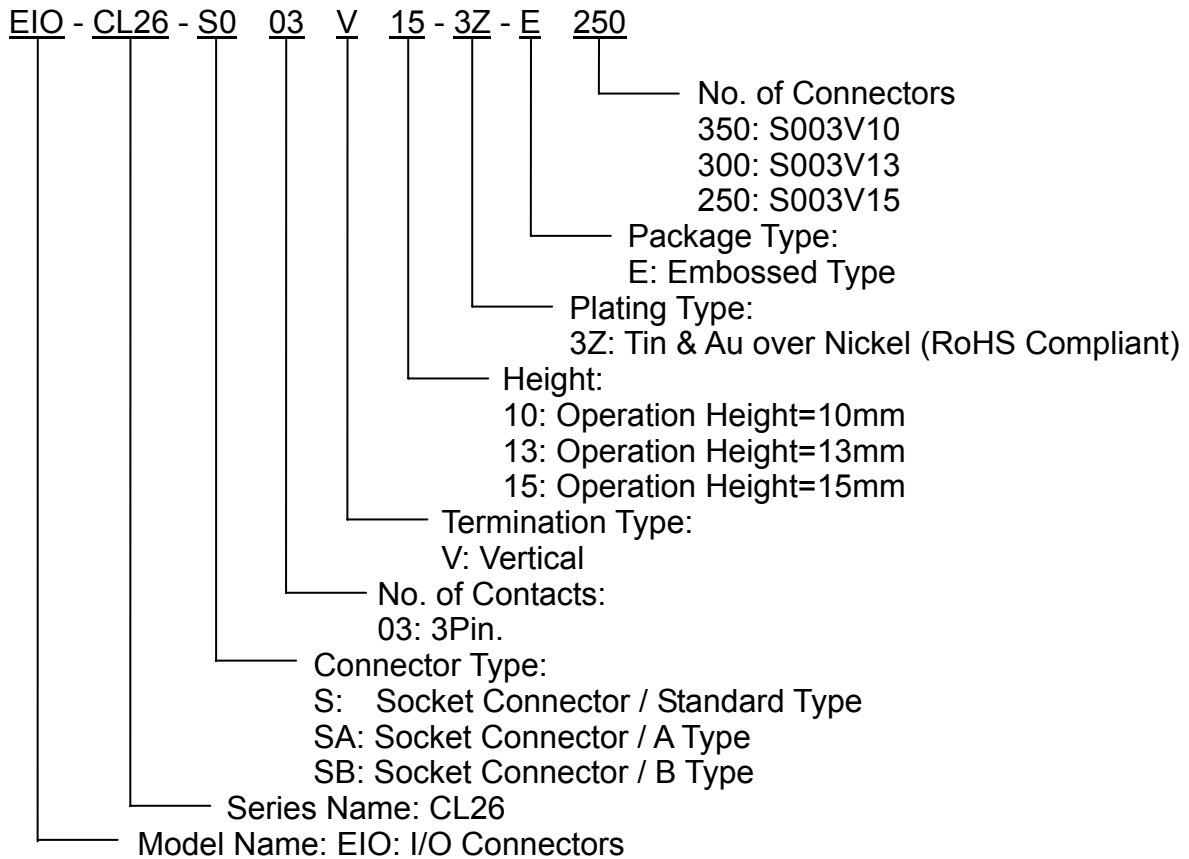
- All connector are packed in reel method.

##### 2.Information on label (stuck to each ploy bag, reel and box)

- |              |                  |              |              |
|--------------|------------------|--------------|--------------|
| (1)Part NO.  | (2)Section.      | (3)Lot NO.   | (4)Quantity. |
| (5)QC stamp. | (6)Reprocess NO. | (7)ECE mark. |              |



## ■ PART NUMBERING SYSTEM



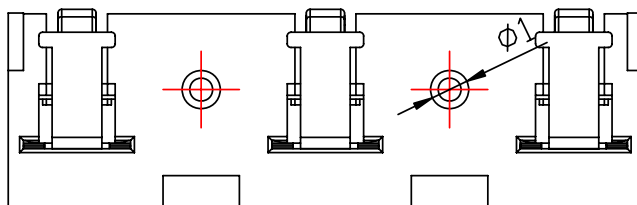
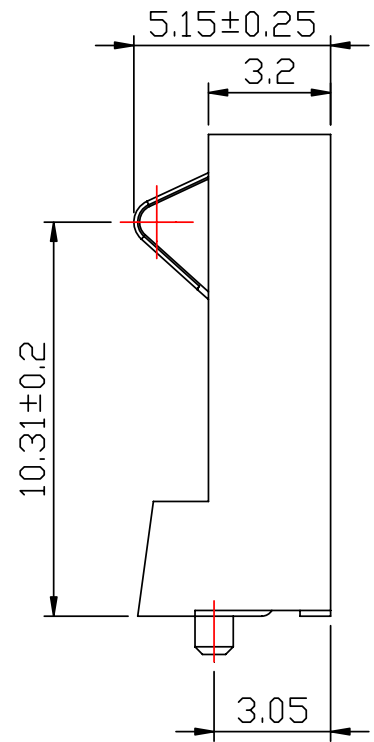
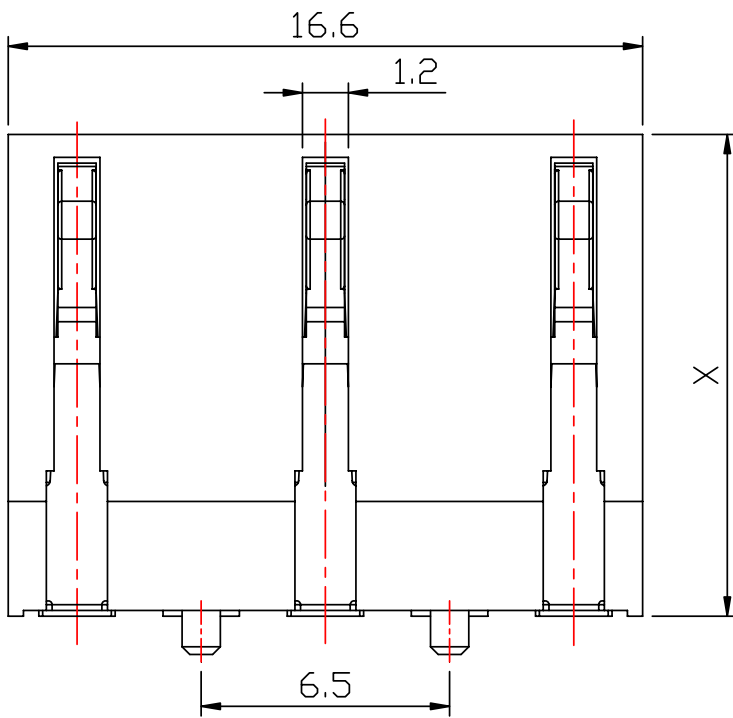
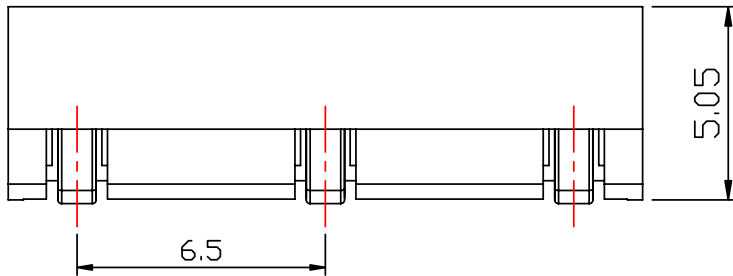
**EIO-CL26-S003V\***





**■ DIMENSIONS UNIT:mm**

E10-CL26-S003Vxx UNIT:mm  
 Connection Style: Vertical SMT



Operation Height	X
V10	10.5
V13	12.6
V15	14.9