



2.0mm Contact Spacing, Battery Connectors

EIO19 SERIES

■ FEATURES

- 2.0mm contact spacing.
- No. of contacts: 5~10pin.
- Connector Heights: 5.6mm, 5.8mm, 6.5mm, 7.0mm, 9.85mm, 13.05mm
- Battery Connector for Through hole.

■ SPECIFICATIONS

1.ELECTRICAL

- Voltage rating: 30VDC
- Current rating: 6A max.
- Contact resistance:
20mΩ max. (initial)
- Insulation resistance:
1000MΩ min.

2.MECHANICAL

- Durability: Mate & Unmate with applicability for 5000 times, Contact resistance: 20mΩ max. (initial), 50mΩ max. (final)
- Connector Mating Force: 0.35kgf / per pin max.
- Connector Unmating Force: 0.03kgf / per pin min.
- Terminal Retention Force: 0.3kgf min.
- Durability: 5000 Cycles

■ MATERIALS

1.MATERIAL

- Contacts: Phosphor Bronze.
- Insulator Housing:
High Temp Thermoplastic

2.PLATING

Contact:

- Nickel In All Area
- Au over Nickel (RoHS Compliant)

■ PACKING

1.Packing method

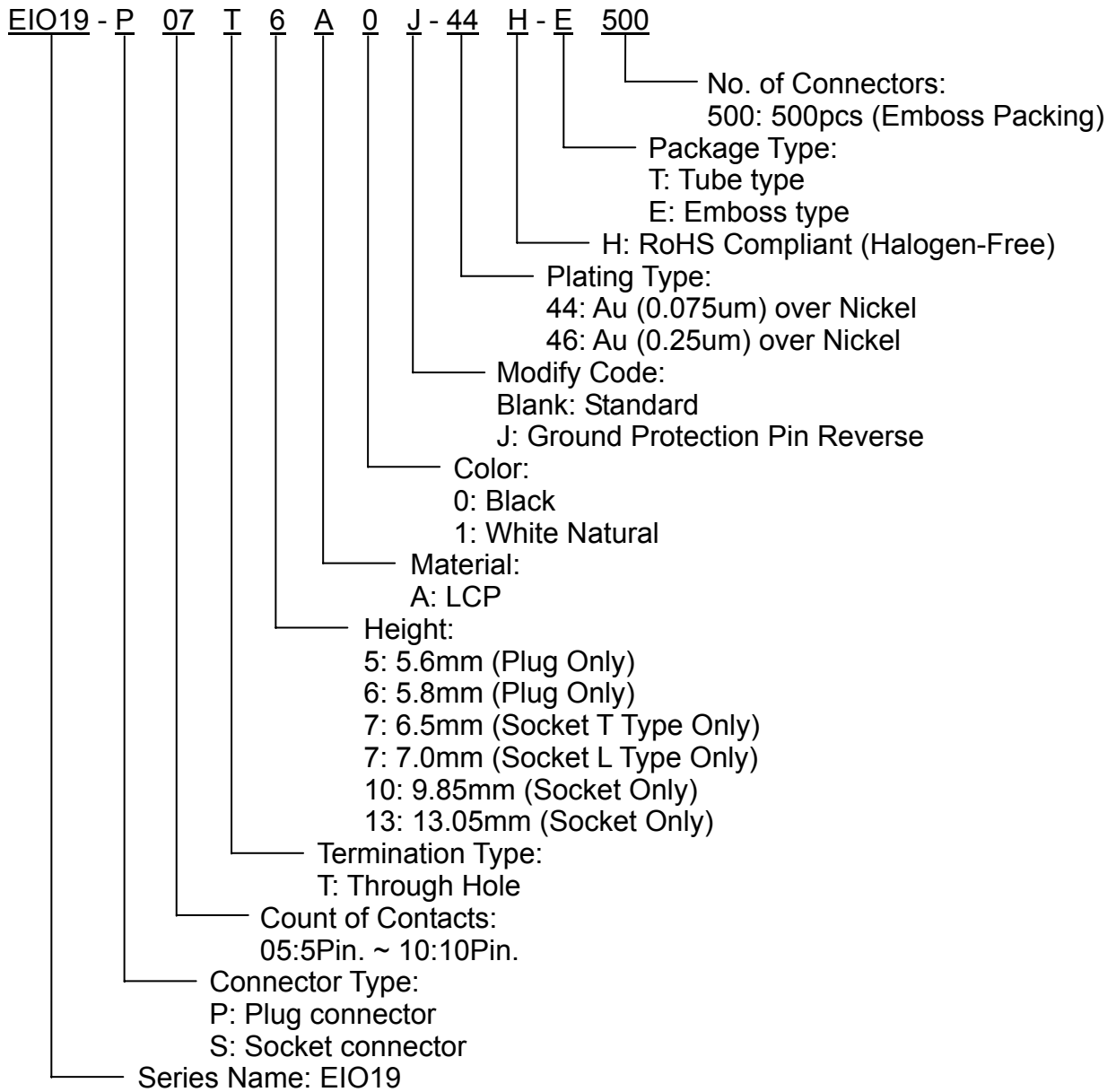
- All connector are packed in Tube or reel methods.

2.Information on label (stuck to each ploy bag, reel and box)

- (1)Part NO. (2)Section. (3)Lot NO. (4)Quantity.
(5)QC stamp. (6)Reprocess NO. (7)ECE mark.



■ PART NUMBERING SYSTEM

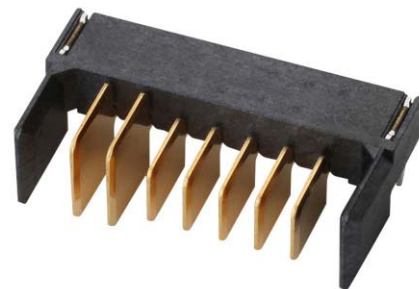


■ DIMENSIONS UNIT:mm

EIO19-SxxTxx

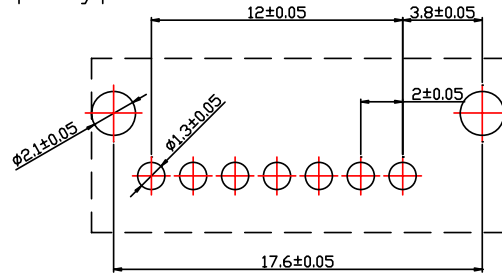
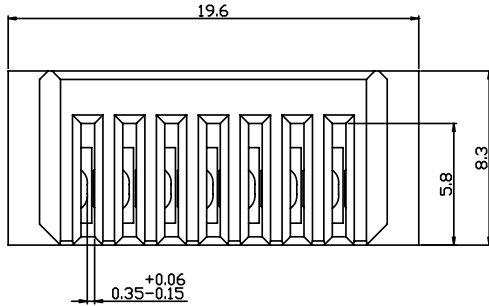


EIO19-PxxTxx

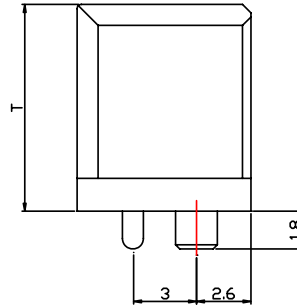
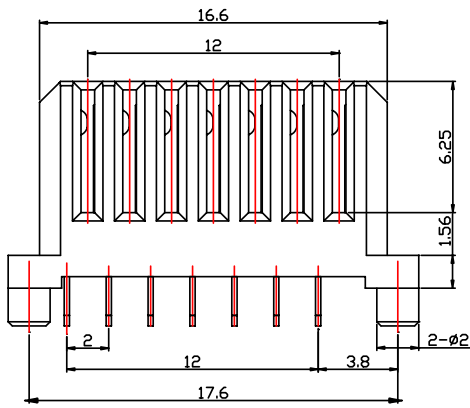




EID19-S07Txx UNIT:mm
Connection Style: Socket Dip Type

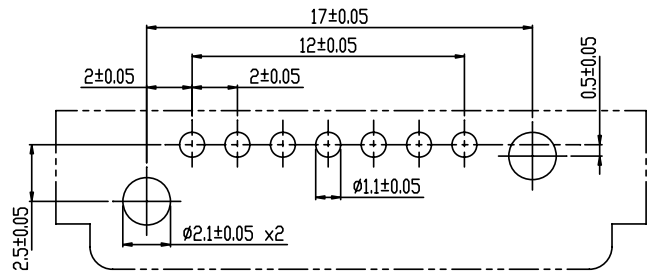
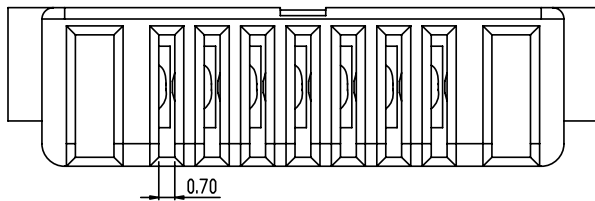


P.C.B. PATTERN DIMENSION(REF.)

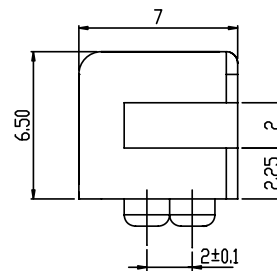
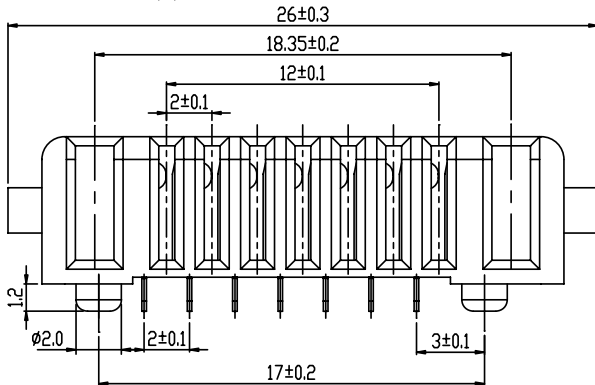


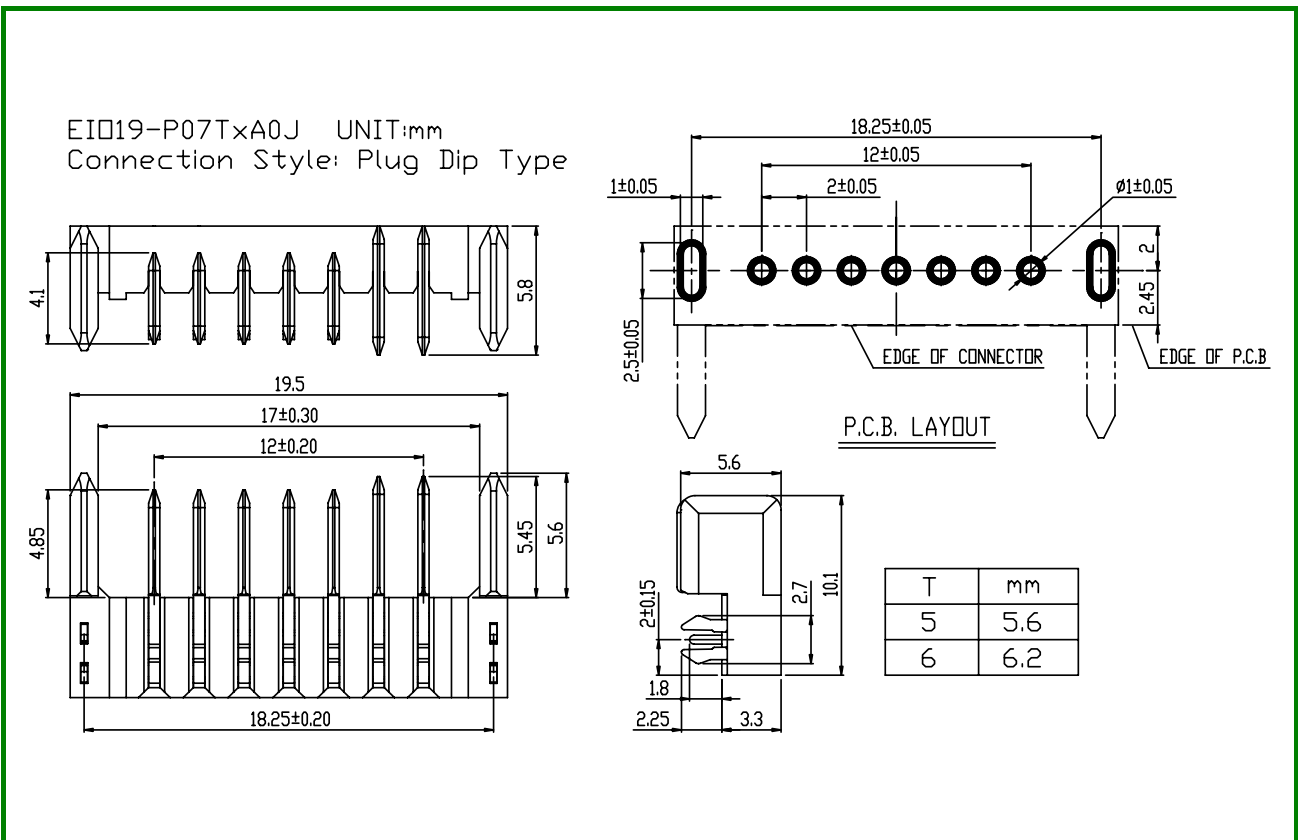
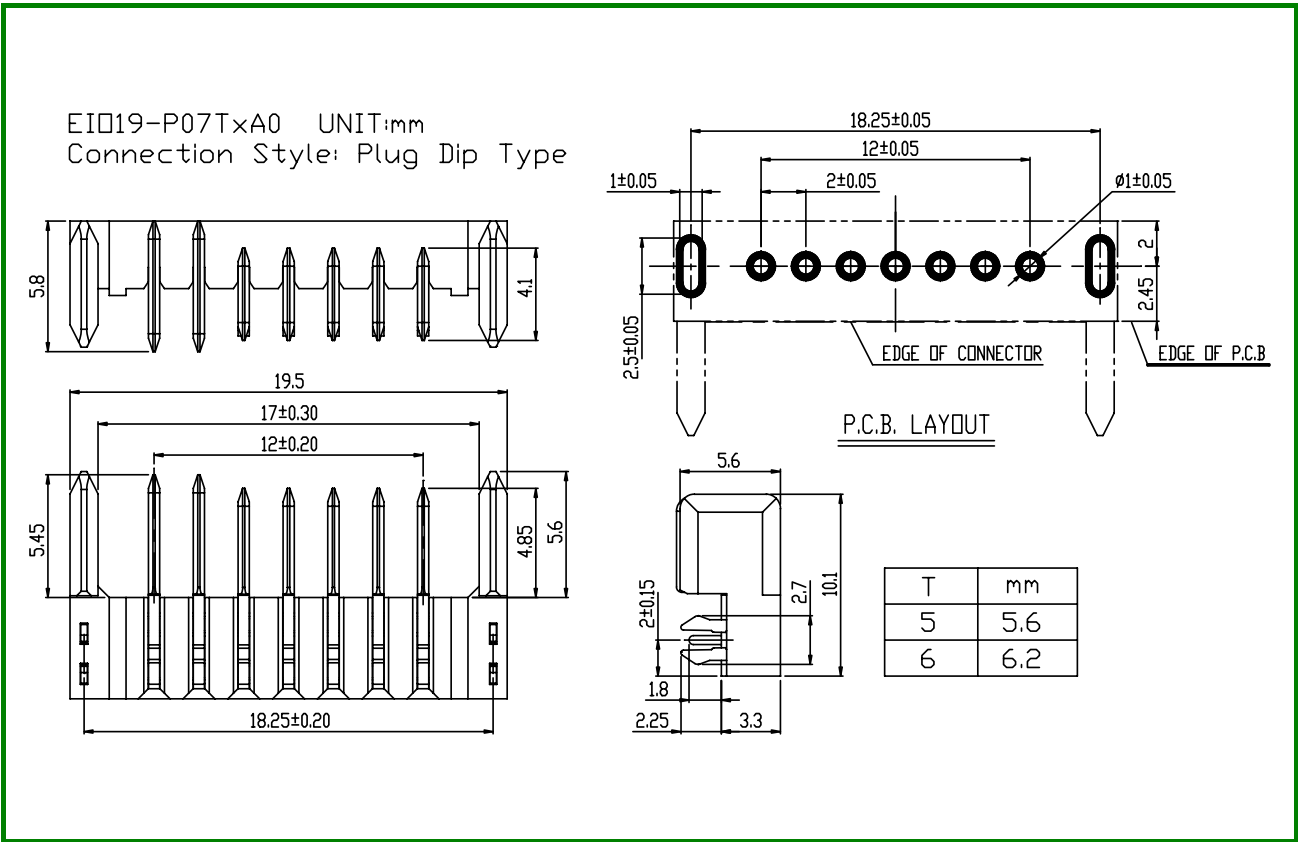
T	mm
10	9.85
13	13.05

EID19-S07T7A0-xxH UNIT:mm
Connection Style: Socket Dip Type



P.C.B. LAYOUT







EI019-SxxL7Ax-xxH UNIT:mm
Connection Style: Socket Right Angle Dip Type

