



UNIVERSAL SERIAL BUS CONNECTORS

MINI USB CONNECTOR

ESB3 SERIES

FEATURES

- Ultra-small size achieved universal series bus connector.
- Both 4Pin type and 5Pin (One ID pin) type are 0.8mm pitch.
- 5Pin type connector and cables are USB 2.0 approval.
- Receptacle and plug housing are UL 94V-0 grade fire retardant.
- Gold plated contact ensure low contact resistance.
- To make sure your connections are perfect every time.
- EMI protection by shielding features.

APPLICATIONS

- Ideal for connecting portable PCs as slim notebook PCs and handheld PCs to small, slim peripheral equipment (digital cameras, small mouse, PDA, MP3, Hub etc.).

SPECIFICATIONS

1.ELECTRICAL

- Voltage rating: 30VAC(rms)
- Current rating: 1Amp
- Contact resistance: 50mΩ Max.
- Insulation resistance: 100MΩ Min.
- Dielectric strength: 100VAC Min.

2.MECHANICAL

- Durability:
 - 1500 cycles (for 4 pin)
 - 5000 cycles (for 5pin)
- Mating force: 35N Max.
- Unmating force: 2.9N Min.

ESB3A101211Z



ESB37



A TYPE CONNECTOR (4 pin)



B TYPE CONNECTOR (4 pin)



B TYPE CONNECTOR (5 pin)



B TYPE CONNECTOR (5 pin, T/H)

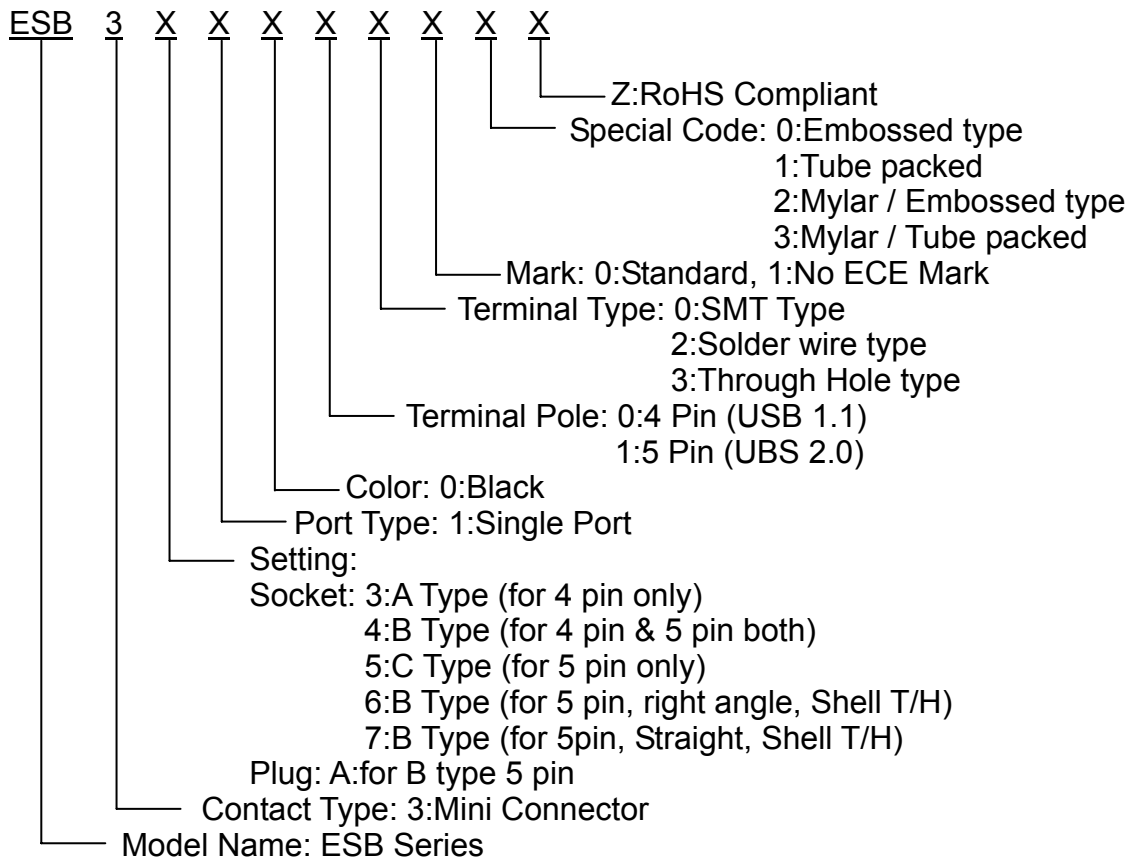


C TYPE CONNECTOR (5 pin)

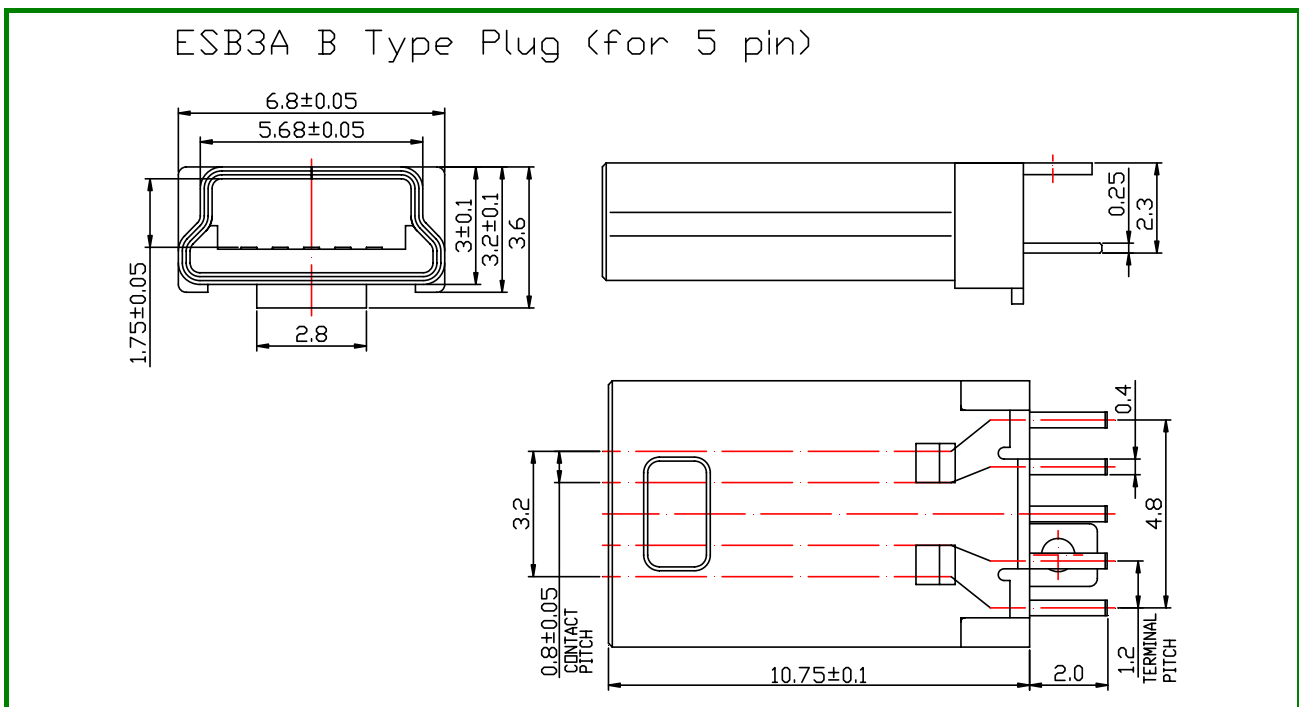




PART NUMBERING SYSTEM



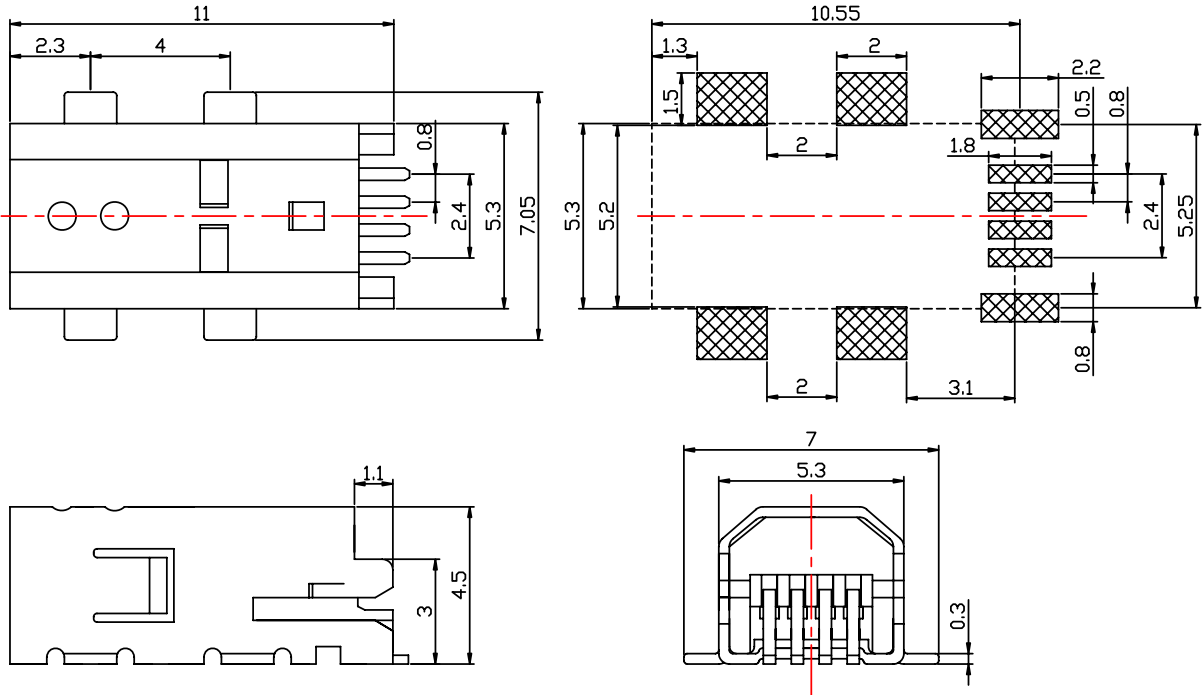
DIMENSIONS UNIT:mm





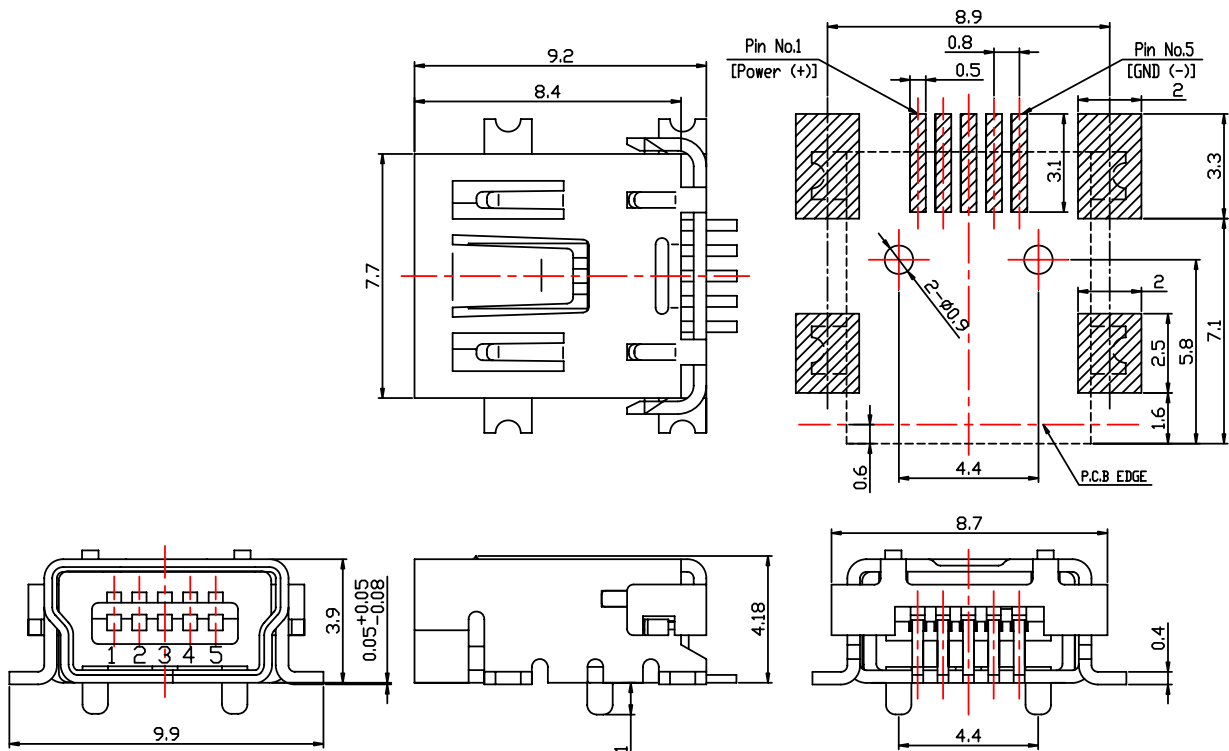
ESB34 B Type (for 4 pin)

P.C.B LAYOUT



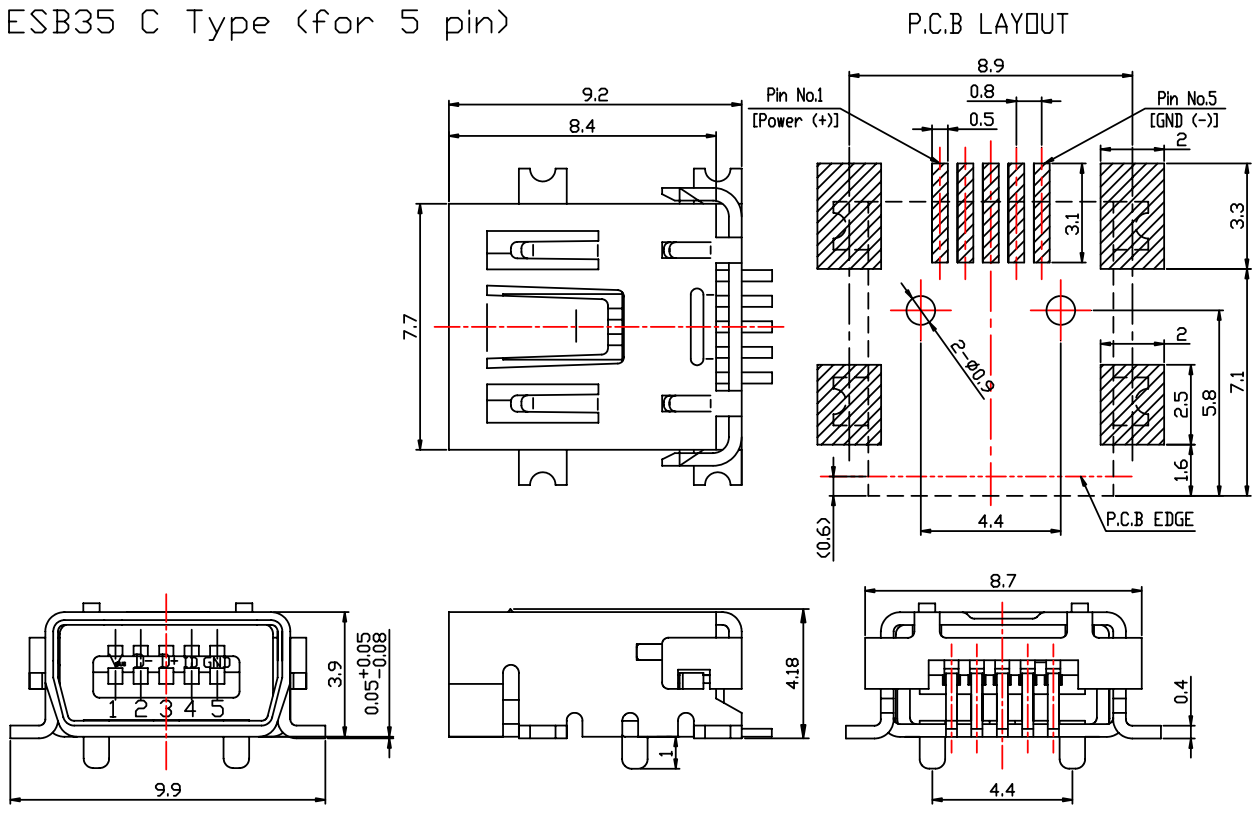
ESB34 B Type (for 5 pin)

P.C.B LAYOUT





ESB35 C Type (for 5 pin)



ESB36 B Type T/H (for 5 pin)

