

更改 REV	设计内容 MODIFICATION	日期 DATE	制图 DRAW	核准 APPROVE
A	图面发行	2011/8/29	JDL	Oscar

NOTES:

ELECTRICAL:

- VOLTAGE RATING : 125 VAC RMS.
- CURRENT RATING : 1.5 AMP.
- CONTACT RESISTANCE : 50 MILLIOHMS MAX.
- INSULATION RESISTANCE: 500 MEGOHMS MIN @ 500 VDC.
- DIELECTRIC STRENGTH : 1000 VAC RMS 50Hz, 1MIN.

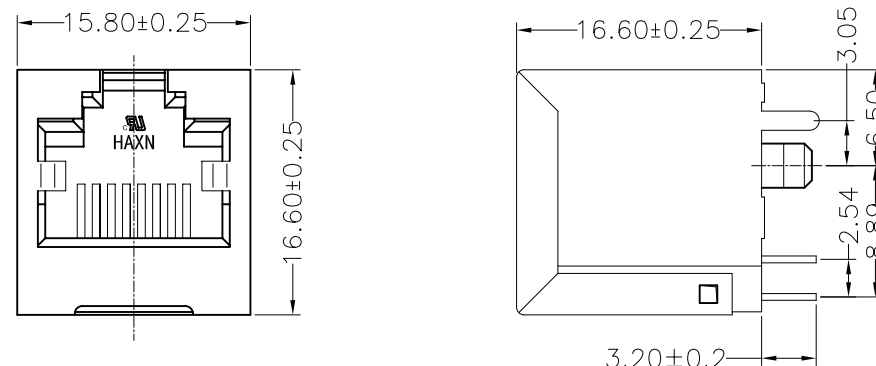
MECHANICAL:

- HOUSING MATERIAL : GLASS FILLED POLYESTER UL94V-0
- CONTACT MATERIAL : PHOSPHOR BRONZE $\phi 0.46\text{mm}$.
- PLATING : GOLD PLATING OVER NICKEL.
- SHIELD : COPPER ALLOY(OR STEEL ALLOY) 0.20mm THICKNESS PLATING NI.
- OPERATING LIFE : 750 CYCLES MIN.
- PCB RETENTION PRE-SOLDER : 1 LB MIN.
- PCB RETENTION POST-SOLDER: 10 LBS MIN.

ENVIRONMENTAL:

- STORAGE : -40°C TO $+85^{\circ}\text{C}$.
- OPERATION: 0°C TO $+70^{\circ}\text{C}$.
- WAVE SOLDERING TEMPERATURE: $255^{\circ}\sim 265^{\circ}$ (5~10SECONDS).
- ROHS COMPLIANT

MATES WITH MODULAR PLUG CONFORMING TO FCC PART 68, SUBPART F.



PART NUMBER: 5224-031881022X

52 SERIES:
Product Style:

- 24-普通型 W=15.00mm, H=15.80mm;
- 4B-大小脚 W=15.68mm, H=16.35mm;
- 4C-扁脚 W=14.70mm, H=13.10mm;
- 4G-4P SMT 型;
- 4F-分齐脚 脚距W&H=16.75mm;
- 4L-板脚 W/LED;

Transformer feature:

- 0-不发火 1-HRJ-001 2-HRJ-002

TYPE SHIELD

- 1-W/O SHIELD; 2-HALF SHIELD;
- 3-FULL SHIELD

PORTS (插口) 1-1X1 4-1X4 8-1X8

POSITIONS: 4-4P 6-6P 8-8P 0-10P

CONTACTS 4-4C 6-6C 8-8C

PEG/TAB (定位脚)

- 0-W/O PEG; 1-FRONT PEG 3.05
- 2-FRONT PEG 3.68; 3-FRONT PEG 4.57;
- 4-BACK PEG 3.05

GOLD PLATING

- 1-FU"; 2-2U"; 3-3U";
- 4-6U"; 5-15U"; 6-30U";
- 7-50U"

LOGO 标识

0-W/O LOGO

1-W/HAXN

2-W/HAXN W/UL

PLASTIC MATERIAL & COLOR OPTION

1-PBT BLACK

2-PA46 BLACK

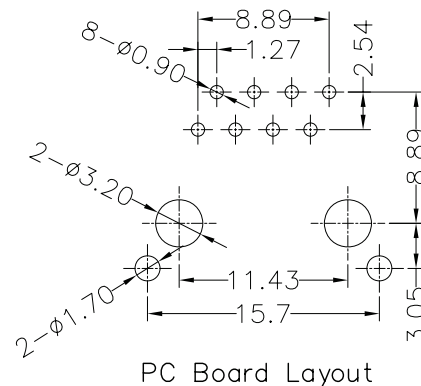
LED STYLE & COLOR

0-W/O LED

1-L LED GREEN,R LED YELLOW

2-L LED YELLOW,R LED GREEN

3-L LED GREEN,R LED GREEN



PC Board Layout

IF THE PRODUCT IS "GP"PART NUMBER THAT MUST BE MEET "GP" SPECIFICATION FROM HUA XIN CORP..				
◎ : Inspection Item ◎ : Cp/Cpk and SPC Control Item	DIMENSION IN mm [Inch]		HAXN 乐清市华信电子有限公司 YUEQING HUAXIN ELECTRONIC CO.,LTD.	
	TOLERANCE UNLESS OTHERWISE SPECIFIED		零件号 FILE NO.	图号 DWG NO. 5224-8P-002
	.X± 0.20	X: ± 1°	名称 TITLE 5224 180度 1X1 JACK(脚前3.05mm)	
	.XX± 0.15	.X: ± 0.5°		
XXX± 0.075	核准 APPROVE Oscar		审核 CHECK JDL	制图 DRAW Oscar
角法 PROJ.		图幅 SHEET 1 / 2	比例 SCALE 1:1	图框 SIZE A3
		图框 SIZE A3	更改 REV A	

THIS INFORMATION IS CONFIDENTIAL AND IS DISCLOSED TO YOU ON CONDITION THAT NO FURTHER DISCLOSURE IS MADE BY YOU TO OTHER THAN HUA XIN PERSONNEL WITHOUT WRITTEN AUTHORIZATION FROM SPEED TECH CORP.