

DESCRIPTION: USB-A RECEPTACLE, 90° DIP, 3.0 VERSION

ELECTRICAL:

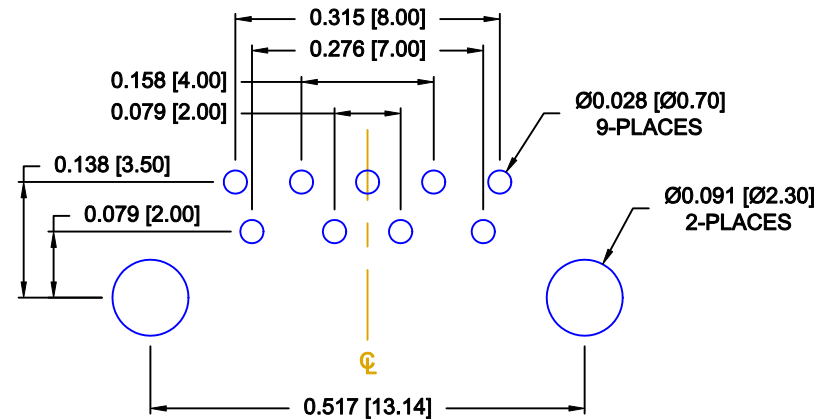
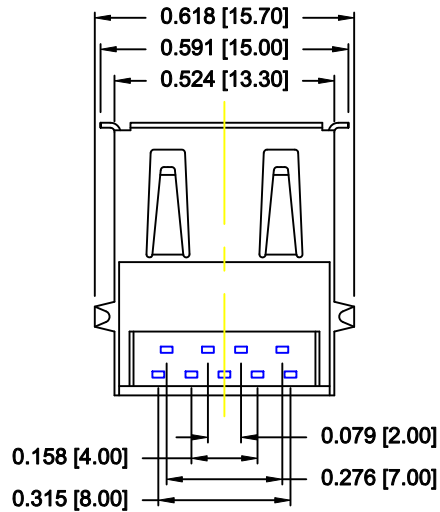
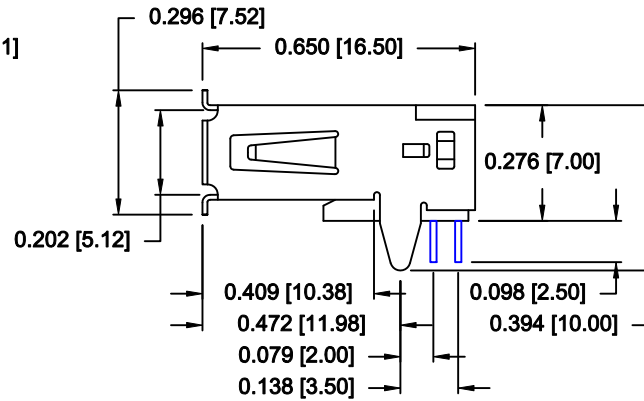
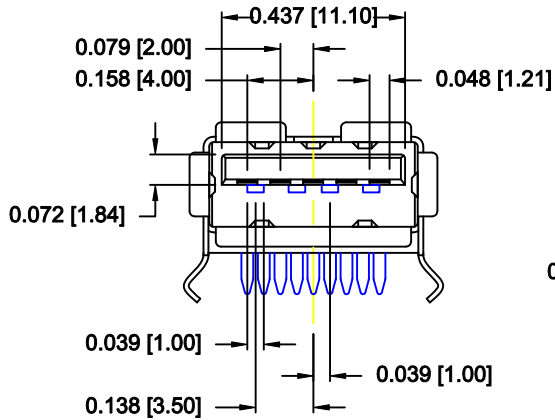
CONTACT CURRENT RATING: 1.8 AMPS PER PIN Min. AT 25° C (STILL AIR)
 DIELECTRIC WITHSTANDING VOLTAGE: 100VAC FOR 1 MINUTE
 INSULATION RESISTANCE: 100 MegOhms Min. AT DC FOR 1 MINUTE
 CONTACT RESISTANCE: 50 MilliOhms Max.
 OPERATING TEMPERATURE: -30°C TO +85°C

MECHANICAL:

MATING FORCE: 3.57 Kg Max.
 UNMATING FORCE: 1.02 Kg Min.

MATERIALS:

SHELL: BRASS, NICKEL PLATED
 INSULATOR: PBT, UL94V-0, BLUE COLOR (PANTONE 300C)
 TERMINALS: PHOSPHOR BRONZE, PLATED WITH 30u" GOLD ON CONTACT AREA
 TIN OVER NICKEL ON TAIL



RECOMMENDED PCB LAYOUT

SCALE = 4 : 1

052-309-121R YY 0

SERIES TYPE _____
 RoHS COMPLIANT _____
 R = (HIGH TEMP. PROCESS)
 PACKAGING _____
 TY = TRAY
 TR = REEL
 PLATING OPTIONS _____
 0 = 30u" GOLD

DO NOT SCALE FROM DRAWING

RoHS COMPLIANT

	THESE DRAWINGS AND SPECIFICATIONS ARE THE PROPERTY OF NorComp AND SHALL NOT BE REPRODUCED, COPIED OR USED AS THE BASIS FOR THE MANUFACTURE OF SALE OF APPARATUS WITHOUT WRITTEN PERMISSION.		DRAWN: C. SMITH	DATE: 08-02-10
			CHECKED:	DATE:
NorComp		SCALE: 2 : 1	SHEET 1	OF 1
		DWG NO. 052-309-121RYY0		