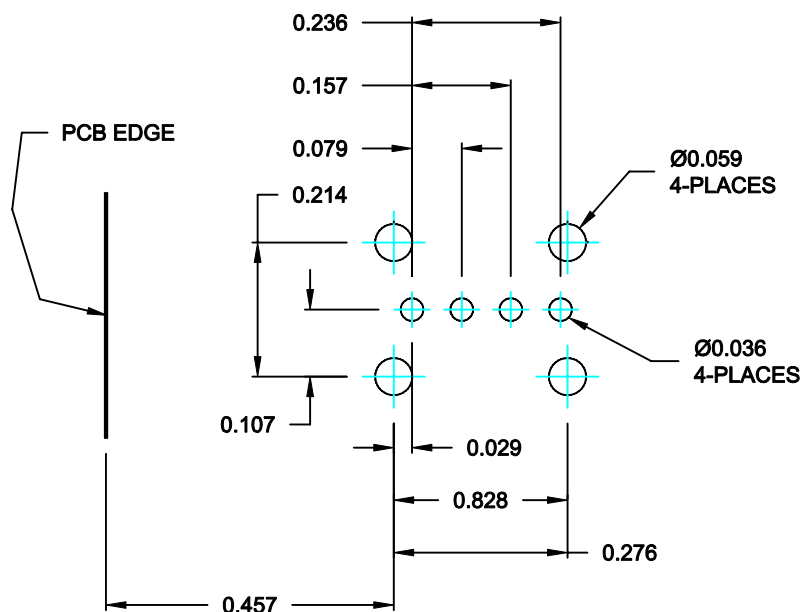
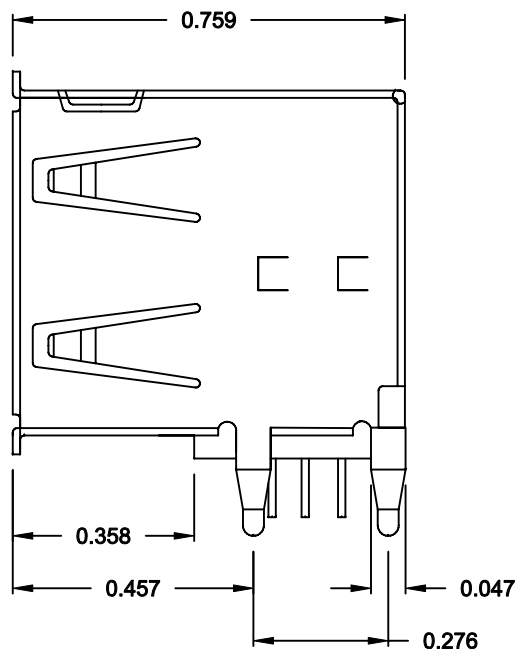
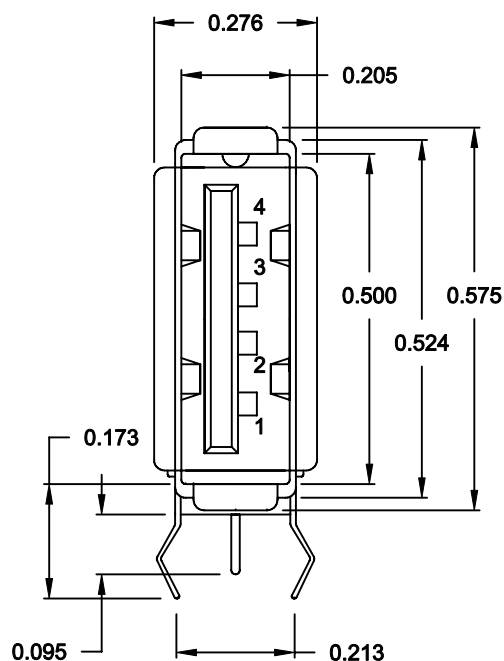


DESCRIPTION: USB TYPE A UPRIGHT 90° THROUGH HOLE



RECOMMENDED PCB LAYOUT

SCALE = 3 : 1

**ELECTRICAL:**

- CONTACT CURRENT RATING: 1.5 AMPS
- DIELECTRIC WITHSTANDING VOLTAGE: 500VAC
- INSULATION RESISTANCE: 1,000 MegOhms Min.
- CONTACT RESISTANCE: 30 MilliOhms Max.
- OPERATING TEMPERATURE: -55°C TO +85°C

**MECHANICAL:**

- MATING FORCE: 3.5 Kg Max.
- UNMATING FORCE: 1.0 Kg Min.

**MATERIALS:**

- CONTACTS: COPPER ALLOY
- INSULATOR: THERMOPLASTIC PA9T UL 94V-0
- SHELL: STEEL

**PLATING:**

- CONTACTS: 30u" GOLD (MATING AREA)  
TIN (LEAD FREE) SOLDER TAILS
- SHELL: NICKEL PLATED
- USB VERSION: 2.0

DO NOT SCALE FROM DRAWING

RoHS COMPLIANT

	THESE DRAWINGS AND SPECIFICATIONS ARE THE PROPERTY OF NorComp AND SHALL NOT BE REPRODUCED, COPIED OR USED AS THE BASIS FOR THE MANUFACTURE OF SALE OF APPARATUS WITHOUT WRITTEN PERMISSION.		DRAWN: <b>PAM JENKINS</b>	DATE: <b>2-27-06</b>
			CHECKED:	DATE:
<b>NorComp</b>	SCALE:	SHEET <b>1</b>	OF <b>1</b>	REV <b>3</b>
	DWG NO. <b>058-004-121R010</b>			