

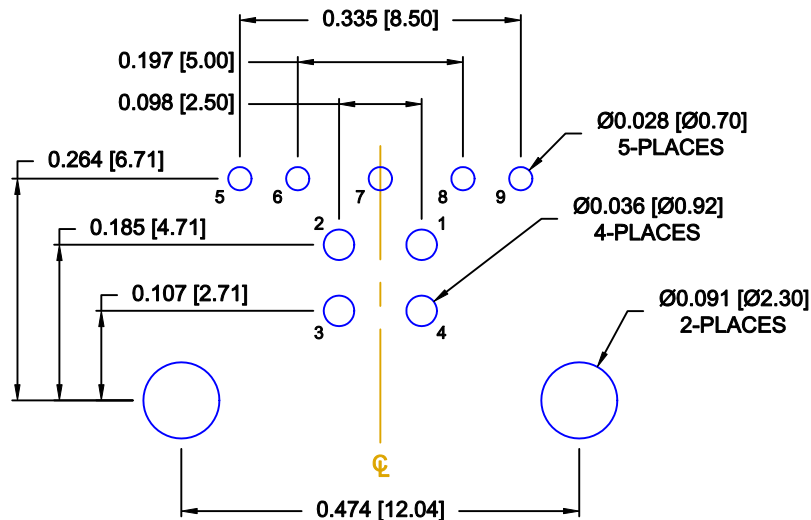
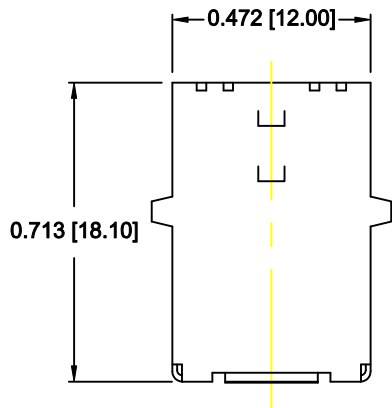
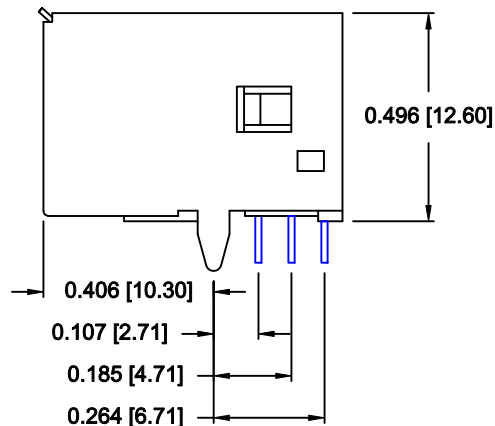
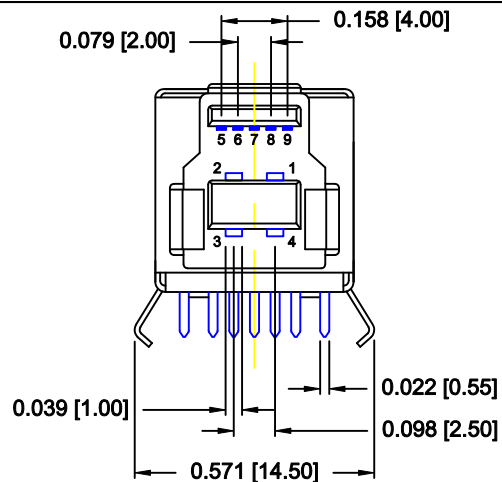
DESCRIPTION: USB-B RECEPTACLE, 90° DIP, 3.0 VERSION

ELECTRICAL:

CONTACT CURRENT RATING: 1 AMP, 30VAC
 DIELECTRIC WITHSTANDING VOLTAGE: 500 VAC
 INSULATION RESISTANCE: 1,000 MegOhms Min.
 CONTACT RESISTANCE: 30 MilliOhms Max.
 OPERATING TEMPERATURE: -50°C TO +105°C

MATERIALS:

SHELL: BRASS, NICKEL PLATED
 COVER SHELL: COPPER ALLOY, NICKEL PLATED
 HOUSING & COVER: LCP, UL94V-0, BLUE
 TERMINALS: COPPER ALLOY
 GOLD PLATED IN CONTACT AREA
 TIN OVER NICKEL ON TAIL



RECOMMENDED PCB LAYOUT

SCALE = 4 : 1

DO NOT SCALE FROM DRAWING

RoHS COMPLIANT



THESE DRAWINGS AND SPECIFICATIONS ARE THE PROPERTY OF NorComp AND SHALL NOT BE REPRODUCED, COPIED OR USED AS THE BASIS FOR THE MANUFACTURE OF SALE OF APPARATUS WITHOUT WRITTEN PERMISSION.

DRAWN: C. SMITH		DATE: 08-02-10	
CHECKED:		DATE:	
SCALE: 2 : 1	SHEET 1	OF 1	REV 2
DWG NO. 060-309-121RYYY			

NorComp