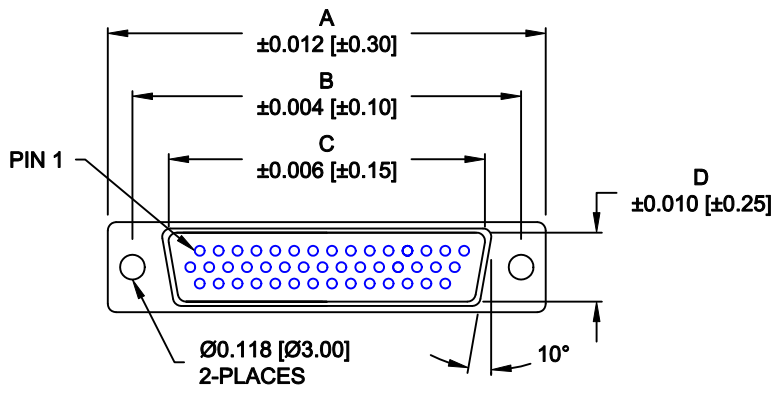
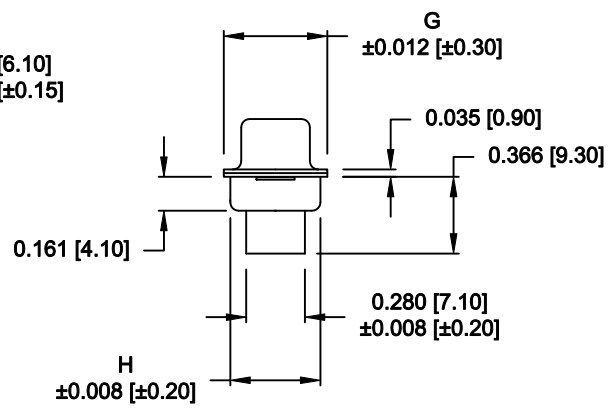
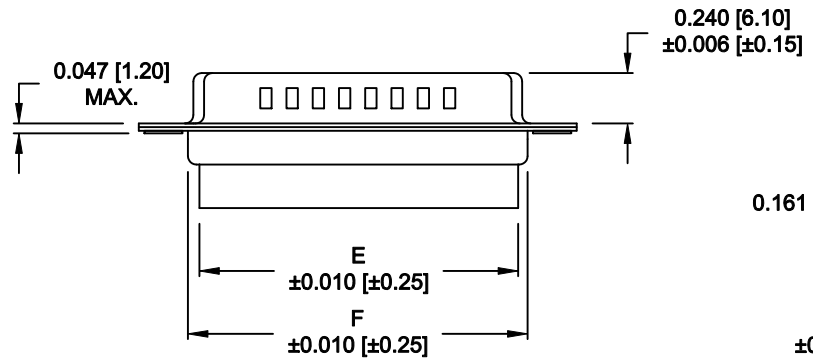


DESCRIPTION: MALE - CRIMP AND LOAD

No. OF PINS	DIMENSIONS							
	A	B	C	D	E	F	G	H
15	1.213	0.984	0.666	0.329	0.606	0.756	0.496	0.429
	30.80	24.99	16.92	8.36	15.40	19.20	12.60	10.90
26	1.541	1.312	0.978	0.329	0.954	1.091	0.496	0.429
	39.15	33.32	24.85	8.36	24.22	27.70	12.60	10.90
44	2.087	1.852	1.512	0.329	1.498	1.618	0.496	0.429
	53.00	47.04	38.40	8.36	38.06	41.10	12.60	10.90
62	2.728	2.500	2.157	0.329	2.147	2.256	0.496	0.429
	69.30	63.50	54.80	8.36	54.54	57.30	12.60	10.90
78	2.638	2.406	2.079	0.445	2.043	2.169	0.606	0.526
	67.00	61.10	52.80	11.30	51.90	55.10	15.40	13.35



4 ROWS



180-YYY-17YLYY0

- SERIES
- POSITIONS
 - 015
 - 026
 - 044
 - 062
 - 078
- GENDER
 - 1 = MALE
- TERMINATION
 - 7 = CRIMP & LOAD
- SHELL PLATING
 - 2 = TIN (GROUND INDENTS)
 - 3 = NICKEL (GROUND INDENTS)
- RoHS COMPLIANT (230°C)
- HARDWARE OPTIONS
 - 00 = NO HARDWARE
 - 01 = .098" CLINCH NUT (BOARD SIDE)
 - 02 = .236" CLINCH NUT (BOARD SIDE)
 - 03 = .236" CLINCH NUT (MATING SIDE)
- PLATING OPTIONS
 - 0 = NO CONTACTS

MATERIAL:

- SHELL: STEEL, TIN OR NICKEL PLATED
- INSULATOR: PBT, UL 94V-O RATED, +30% FIBER-GLASS OR NYLON-66
- CONTACT: BRASS, GOLD PLATED OVER NICKEL

ELECTRICAL:

- CURRENT RATING: 5 AMPS
- CONTACT RESISTANCE: 15 mOhms Max.
- INSULATION RESISTANCE: 1,000 MOhms min.
- VOLTAGE: 500VAC FOR 1 MINUTE
- TEMPERATURE: -50° C TO 100° C

RoHS COMPLIANT

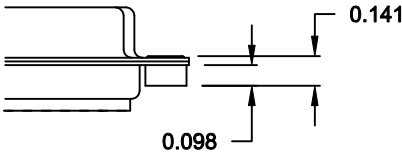
DO NOT SCALE FROM DRAWING

	THESE DRAWINGS AND SPECIFICATIONS ARE THE PROPERTY OF NorComp AND SHALL NOT BE REPRODUCED, COPIED OR USED AS THE BASIS FOR THE MANUFACTURE OF SALE OF APPARATUS WITHOUT WRITTEN PERMISSION.		DRAWN: PAM JENKINS	DATE: 7-19-05
			CHECKED:	DATE:
<h1>NorComp</h1>		SCALE: 1 : 1	SHEET 1 OF 2	REV 14
		DWG NO. 180-YYY-17YLYY0		

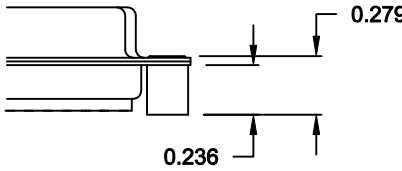
ALL CLINCH-NUTS ARE 4-40 INTERNAL THREADS

TOLERANCE:
ALL DIMENSIONS ARE ±0.010

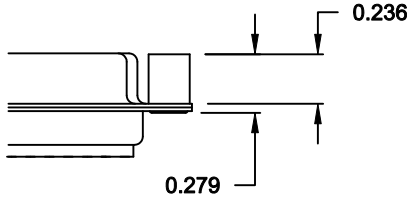
01X 0.098" (BOARD SIDE) - CN1




02X 0.236" (BOARD SIDE) - CN2



03X..... 0.236" (MATING SIDE) - CN8



DO NOT SCALE FROM DRAWING

	THESE DRAWINGS AND SPECIFICATIONS ARE THE PROPERTY OF NorComp AND SHALL NOT BE REPRODUCED, COPIED OR USED AS THE BASIS FOR THE MANUFACTURE OF SALE OF APPARATUS WITHOUT WRITTEN PERMISSION.		DRAWN: C. SMITH	DATE: 03-08-06	
			CHECKED:	DATE:	
NorComp			SCALE: FULL	SHEET 2 OF 2	REV 14
			DWG NO. 180-YYY-17YLYY0		

RoHS COMPLIANT