

**DESCRIPTION: M5 FEMALE - CABLE MOUNT - SOLDER CUP - 2 POSITION**

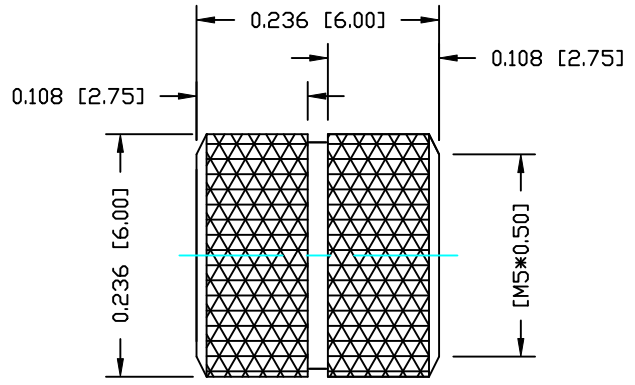
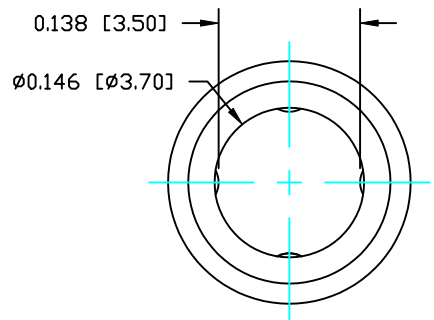
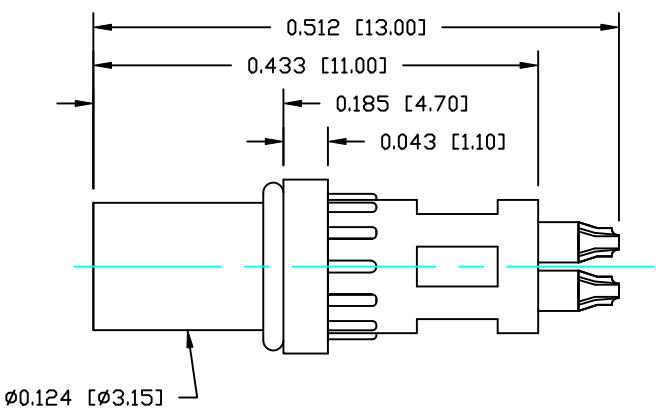
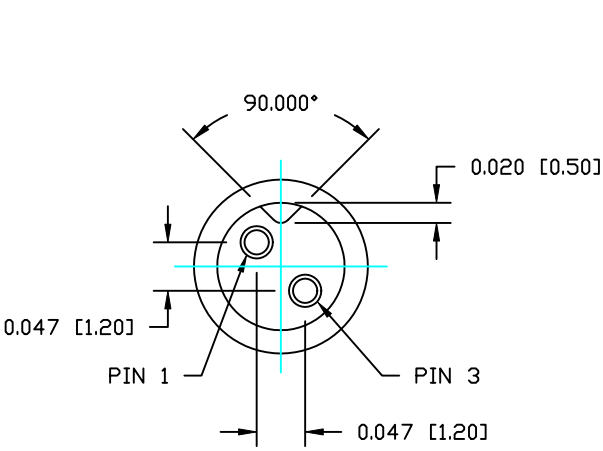
**NOTE:**

**MATERIAL**  
 HOUSING: TPU, BLACK  
 CONTACT: PHOSPHOR BRONZE  
 NUT: BRASS  
 O-RING: NBR, BLACK

**FINISH**  
 CONTACT: GOLD PLATED  
 OVER 50μ NICKEL  
 NICKEL PLATED

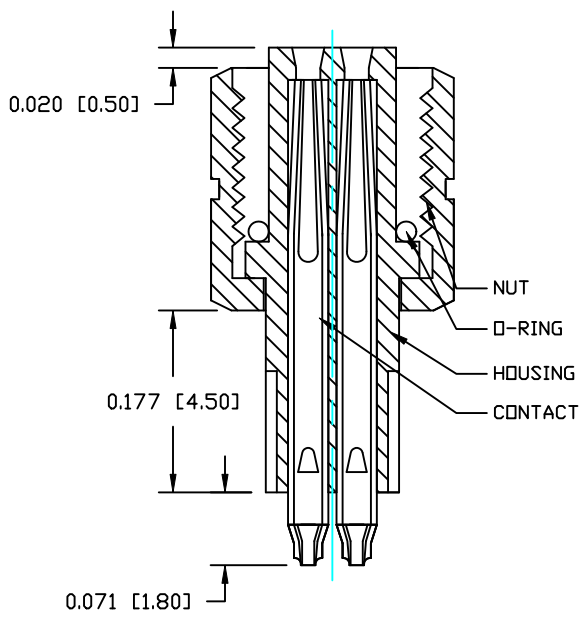
**ELECTRICAL**  
 RATED CURRENT: 1A  
 RATED VOLTAGE: 60V  
 WATER PROOF: IP67

**ENVIRONMENT**  
 OPERATION TEMPERATURE: -40°C TO +85°C  
 WIRE GAUGE: 26-28 AWG



NUT

**850-002-203RLUY**  
 1 = GOLD FLASH  
 4 = 10μ" GOLD



**RoHS COMPLIANT**

**DO NOT SCALE FROM DRAWING**



THESE DRAWINGS AND SPECIFICATIONS ARE THE PROPERTY OF NorComp AND SHALL NOT BE REPRODUCED, COPIED OR USED AS THE BASIS FOR THE MANUFACTURE OR SALE OF APPARATUS WITHOUT WRITTEN PERMISSION.

**DRAWN:** M. SIGMON  
**DATE:** 03-03-16  
**CHECKED:**  
**DATE:**

**NorComp**

**SCALE:** NTS  
**SHEET** 1 **OF** 1  
**REV** 0  
**DWG NO.** 850-002-203RLUY