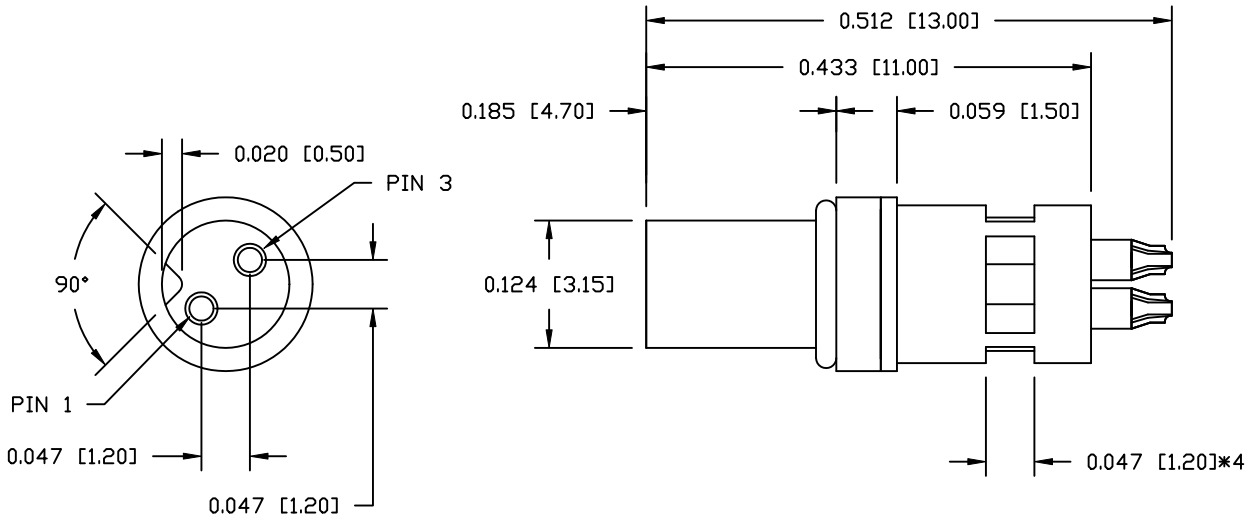


DESCRIPTION: M5 FEMALE - CABLE MOUNT - SOLDER CUP - 2 POSITION - SHIELDED

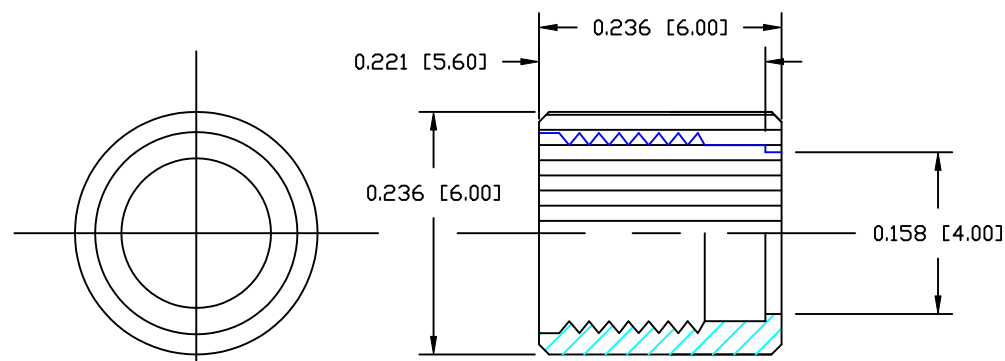
NOTE:

MATERIAL	
HOUSING:	TPU, BLACK
SHELL:	BRASS
CONTACT:	PHOSPHOR BRONZE
NUT:	BRASS
O-RING:	NBR, BLACK
FINISH	
SHELL:	TIN PLATED
CONTACT:	GOLD PLATED OVER 50µ NICKEL NICKEL PLATED
NUT:	
ELECTRICAL	
RATED CURRENT:	1A
RATED VOLTAGE:	60V
WATER PROOF:	IP67
ENVIRONMENT	
OPERATION TEMPERATURE:	-40°C TO +85°C
WIRE GAUGE:	26-28 AWG

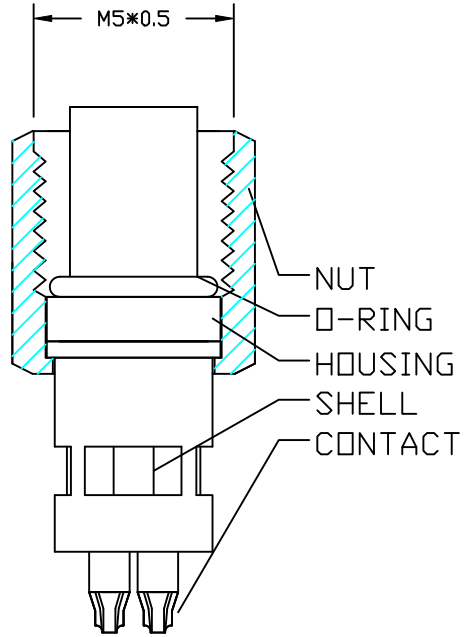


850-002-203RSSY

1 = GOLD FLASH
4 = 10µ" GOLD



NUT



RoHS COMPLIANT

DO NOT SCALE FROM DRAWING



THESE DRAWINGS AND SPECIFICATIONS ARE THE PROPERTY OF NorComp AND SHALL NOT BE REPRODUCED, COPIED OR USED AS THE BASIS FOR THE MANUFACTURE OR SALE OF APPARATUS WITHOUT WRITTEN PERMISSION.

DRAWN:	M. SIGMON	DATE:	03-03-16
CHECKED:		DATE:	

NorComp

SCALE:	NTS	SHEET	1	OF	1	REV	0
DWG NO.	850-002-203RSSY						