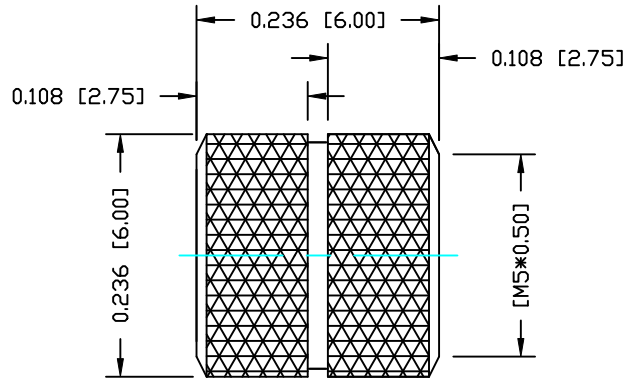
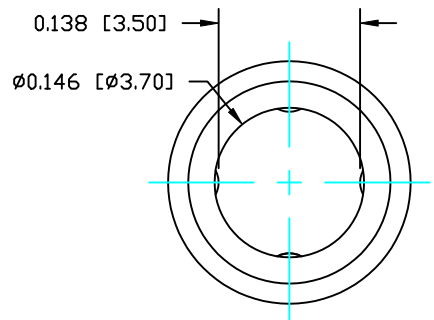
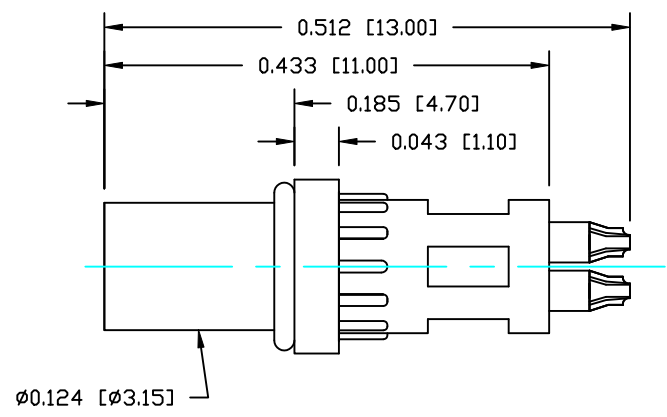
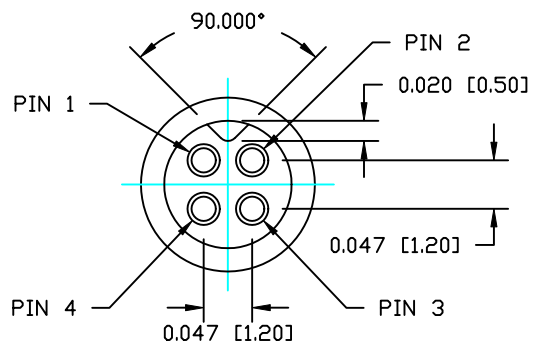


**DESCRIPTION: M5 FEMALE - CABLE MOUNT - SOLDER CUP - 4 POSITION**



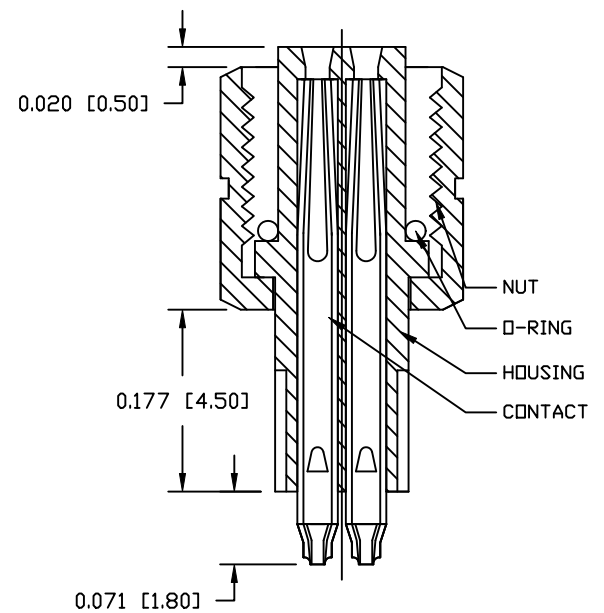
NUT

**NOTE:**

<b>MATERIAL</b>	
HOUSING:	TPU, BLACK
CONTACT:	PHOSPHOR BRONZE
NUT:	BRASS
O-RING:	NBR, BLACK
<b>FINISH</b>	
CONTACT:	GOLD PLATED
	OVER 50μ NICKEL
NUT:	SATIN NICKEL
<b>ELECTRICAL</b>	
RATED CURRENT:	1A
RATED VOLTAGE:	60V
WATER PROOF:	IP67
<b>ENVIRONMENT</b>	
OPERATION TEMPERATURE:	-40°C TO +85°C
WIRE GAUGE:	26-28 AWG

**850-004-203RLUY**

- 1 = GOLD FLASH
- 4 = 10μ" GOLD



**RoHS COMPLIANT**

**DO NOT SCALE FROM DRAWING**



THESE DRAWINGS AND SPECIFICATIONS ARE THE PROPERTY OF NorComp AND SHALL NOT BE REPRODUCED, COPIED OR USED AS THE BASIS FOR THE MANUFACTURE OR SALE OF APPARATUS WITHOUT WRITTEN PERMISSION.

DRAWN:	M.SIGMON	DATE:	03-04-16
CHECKED:		DATE:	

**NorComp**

SCALE:	NTS	SHEET	1	OF	1	REV	0
DWG NO.	850-004-203RLUY						