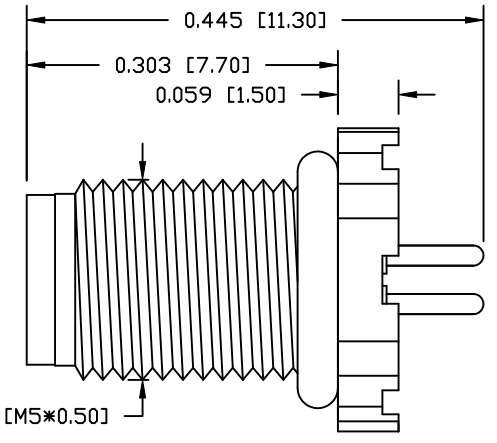
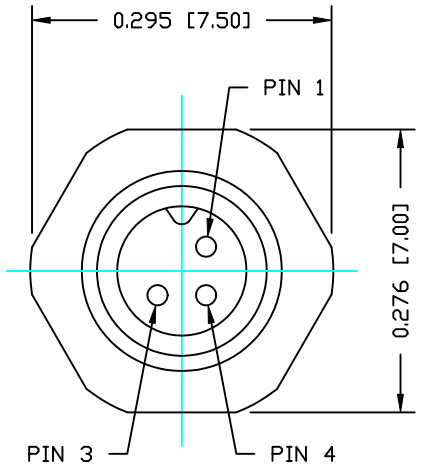


DESCRIPTION: M5 MALE - PANEL MOUNT (REAR) - VERTICAL - 3 POSITION

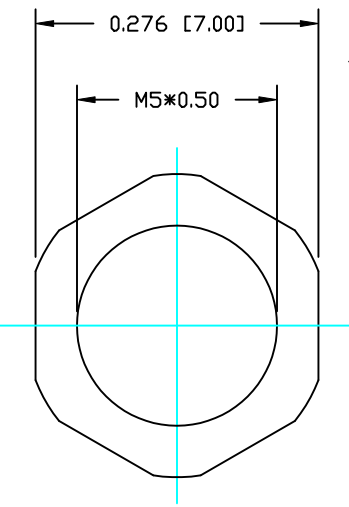
NOTE:

MATERIAL	
HOUSING:	PBT UL94V-0, BLACK
CONTACT:	BRASS
NUT:	BRASS
SHELL:	BRASS
O-RING:	NBR, BLACK
FINISH	
CONTACT:	GOLD PLATED OVER 50µ" NICKEL
NUT:	NICKEL PLATED
SHELL:	NICKEL PLATED
ELECTRICAL	
RATED CURRENT:	1A
RATED VOLTAGE:	60V
WATER PROOF:	IP67
ENVIRONMENT	
OPERATION TEMPERATURE:	-40°C TO +85°C

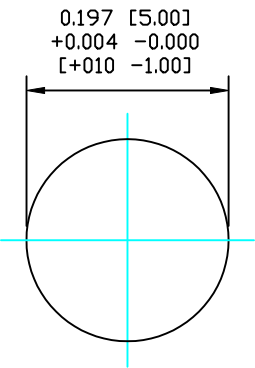
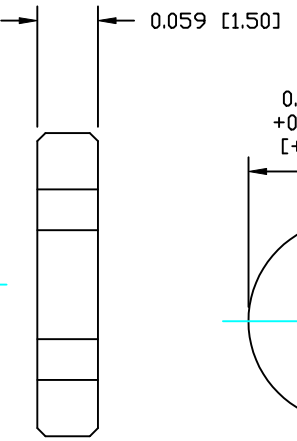


852-003-113R00Y

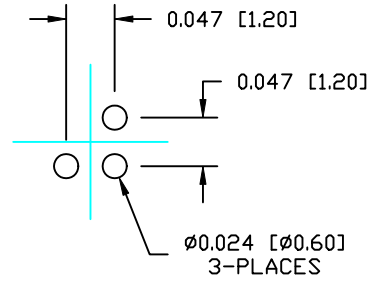
1 = GOLD FLASH
4 = 10µ" GOLD



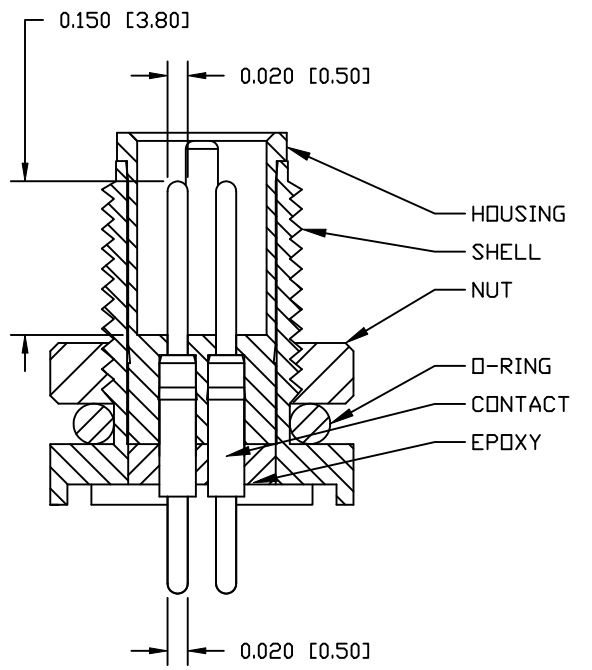
NUT



RECOMMENDED
PANEL CUTOUT



RECOMMENDED
PANEL PCB



RoHS COMPLIANT

DO NOT SCALE FROM DRAWING



THESE DRAWINGS AND SPECIFICATIONS ARE THE PROPERTY OF NorComp AND SHALL NOT BE REPRODUCED, COPIED OR USED AS THE BASIS FOR THE MANUFACTURE OR SALE OF APPARATUS WITHOUT WRITTEN PERMISSION.

DRAWN: M. SIGMON
CHECKED:

DATE: 03-04-16
DATE:

NorComp

SCALE: NTS
DWG NO.

SHEET 1 OF 1

REV 0

852-003-113R00Y