

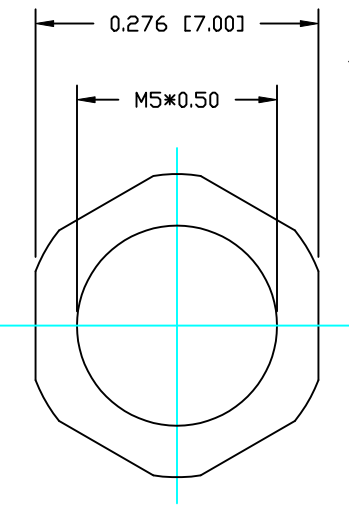
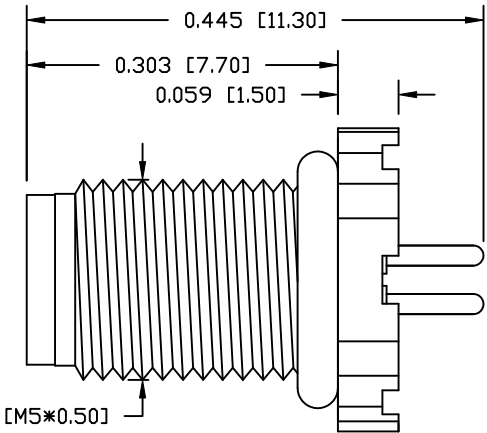
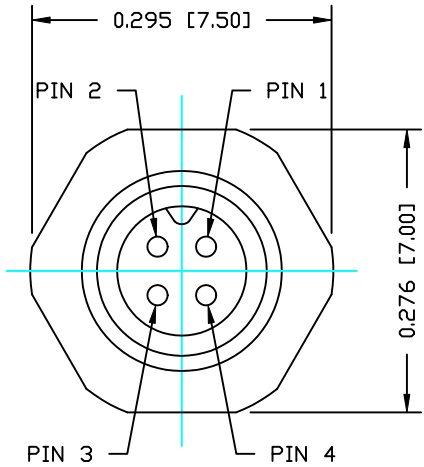
**DESCRIPTION: M5 MALE - PANEL MOUNT (REAR) - VERTICAL - 4 POSITION**

**NOTE:**

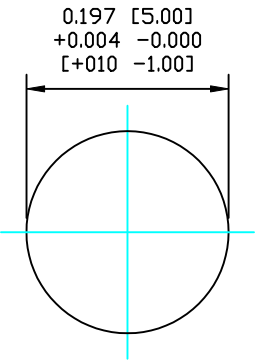
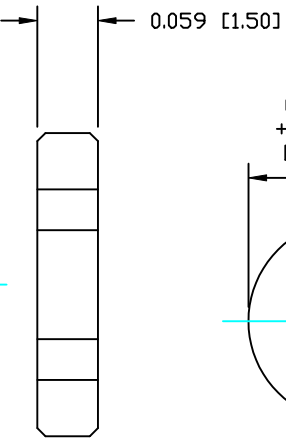
<b>MATERIAL</b>	
HOUSING:	PBT UL94V-0, BLACK
CONTACT:	BRASS
NUT:	BRASS
SHELL:	BRASS
O-RING:	NBR, BLACK
<b>FINISH</b>	
CONTACT:	GOLD PLATED OVER 50µ" NICKEL NICKEL PLATED NICKEL PLATED
<b>ELECTRICAL</b>	
RATED CURRENT:	1A
RATED VOLTAGE:	60V
WATER PROOF:	IP67
<b>ENVIRONMENT</b>	
OPERATION TEMPERATURE:	-40°C TO +85°C

**852-004-113R00Y**

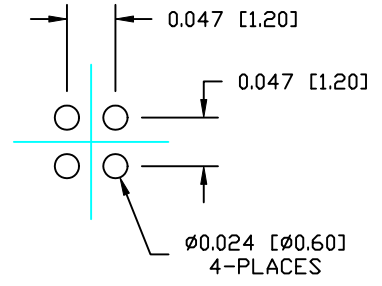
1 = GOLD FLASH  
4 = 10µ" GOLD



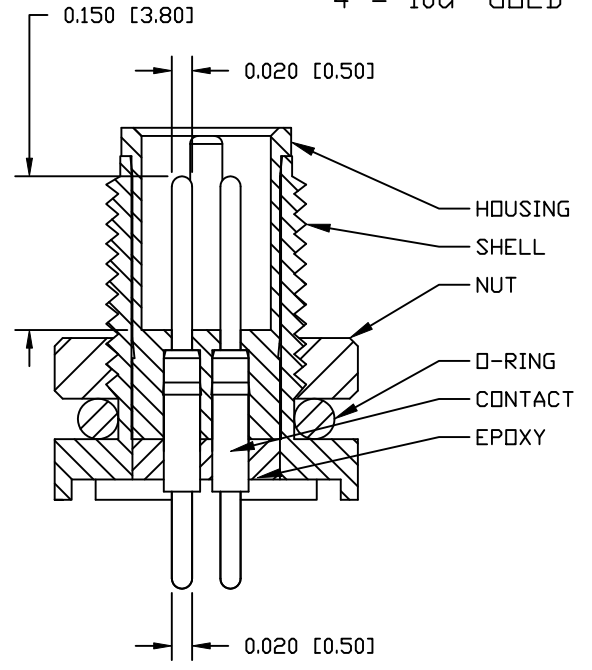
NUT



RECOMMENDED  
PANEL CUTOUT



RECOMMENDED  
PANEL PCB



**RoHS COMPLIANT**

DO NOT SCALE FROM DRAWING



THESE DRAWINGS AND SPECIFICATIONS ARE THE PROPERTY OF NorComp AND SHALL NOT BE REPRODUCED, COPIED OR USED AS THE BASIS FOR THE MANUFACTURE OR SALE OF APPARATUS WITHOUT WRITTEN PERMISSION.

DRAWN: M. SIGMON  
CHECKED:

DATE: 03-04-16  
DATE:

**NorComp**

SCALE: NTS  
DWG NO.

SHEET 1 OF 1

REV 0

852-004-113R00Y