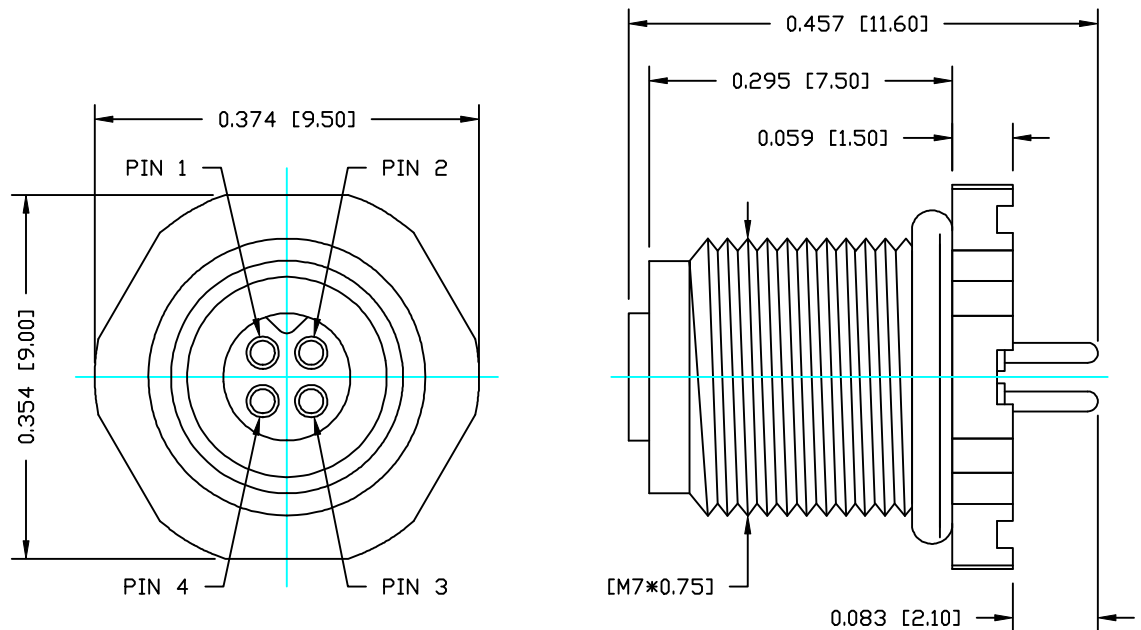


DESCRIPTION: M5 FEMALE - PANEL MOUNT (REAR) - VERTICAL - 4 POSITION

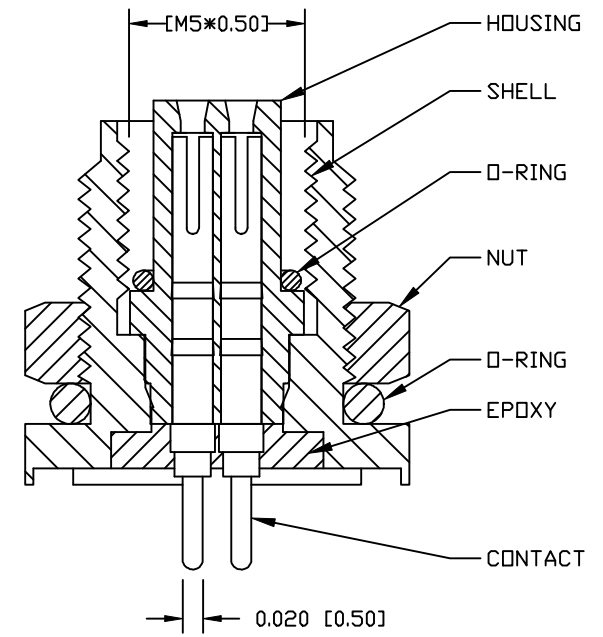
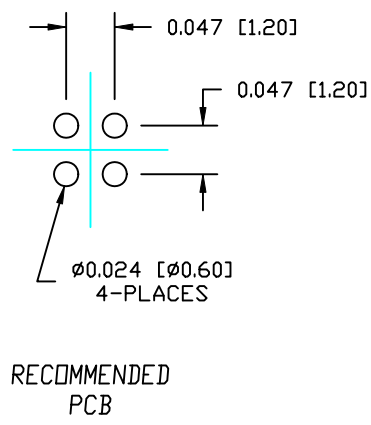
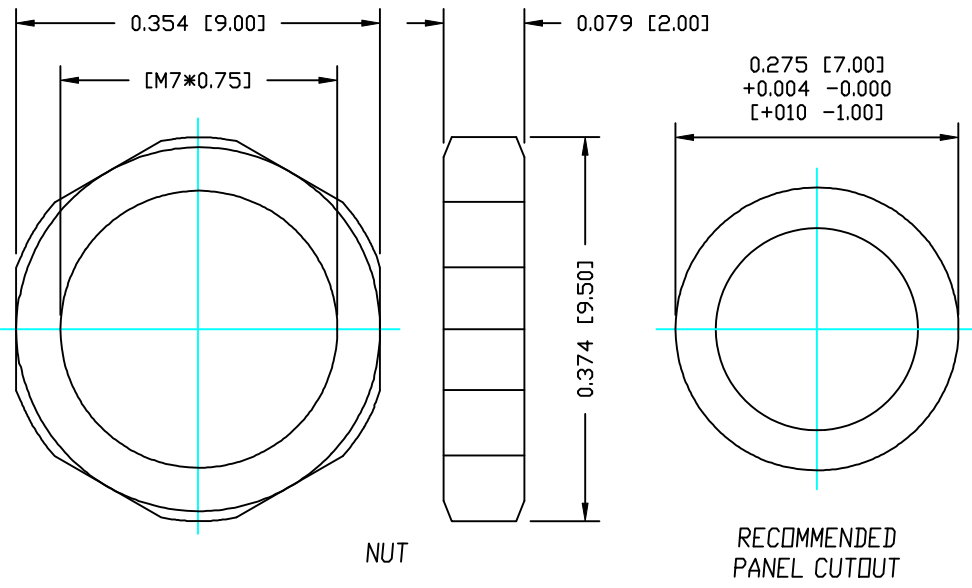


NOTE:

MATERIAL	
HOUSING:	PBT UL94V-0, BLACK
CONTACT:	PHOSPHOR BRONZE
NUT:	BRASS
SHELL:	BRASS
O-RING:	NBR, BLACK
EPOXY BASE:	EF400A & EF400B, BLACK
FINISH	
CONTACT:	GOLD PLATED OVER 50µ NICKEL
NUT:	NICKEL PLATED
SHELL:	NICKEL PLATED
ELECTRICAL	
RATED CURRENT:	1A
RATED VOLTAGE:	60V
WATER PROOF:	IP67
ENVIRONMENT	
OPERATION TEMPERATURE:	-40°C TO +85°C

852-004-213R00Y

1 = GOLD FLASH
4 = 10µ" GOLD



RoHS COMPLIANT

DO NOT SCALE FROM DRAWING



THESE DRAWINGS AND SPECIFICATIONS ARE THE PROPERTY OF NorComp AND SHALL NOT BE REPRODUCED, COPIED OR USED AS THE BASIS FOR THE MANUFACTURE OR SALE OF APPARATUS WITHOUT WRITTEN PERMISSION.

DRAWN: M. SIGMON	DATE: 03-04-16
CHECKED:	DATE:

NorComp

SCALE: NTS	SHEET 1	OF 1	REV 0
DWG NO. 852-004-213R00Y			