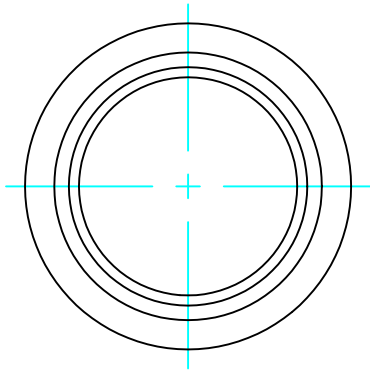


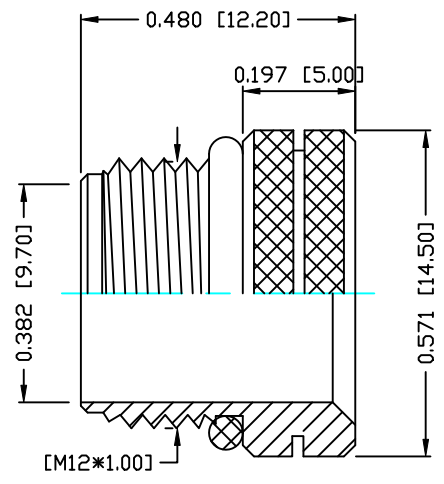
DESCRIPTION: M12 MALE - CABLE MOUNT - 3 POS.

NOTE:

MATERIAL
 HOUSING: PBT UL94V-0, BLACK
 CONTACT: BRASS
 NUT: BRASS
 O-RING: EPDM, BLACK
 FINISH
 CONTACT: GOLD PLATED
 OVER 50µ" NICKEL
 NUT: NICKEL PLATED
 60µ" TO 100µ" OVER ALL
 ELECTRICAL
 RATED CURRENT: 5A
 RATED VOLTAGE: 125V
 WATER PROOF: IP67
 ENVIRONMENT
 OPERATION TEMPERATURE: -40°C TO +85°C
 WIRE GAUGE: 24-28 AWG

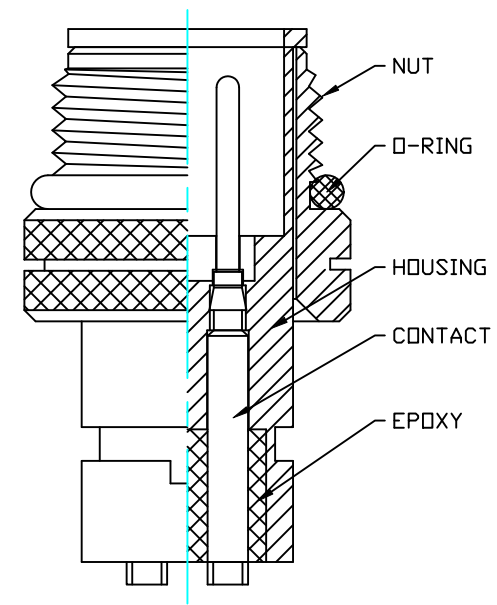
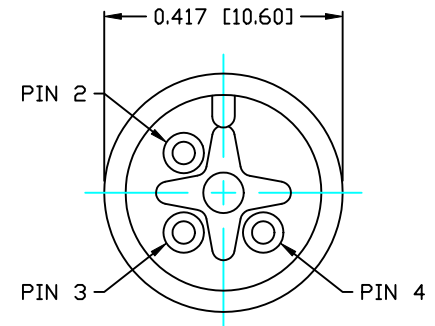
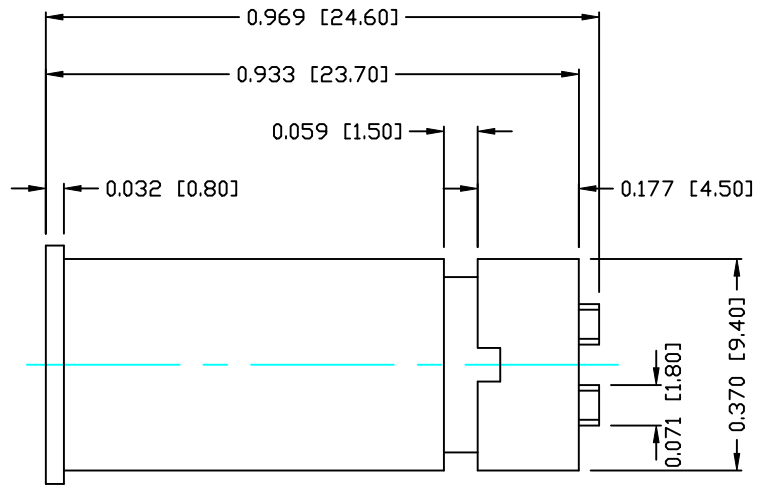


NUT



858-003-103RLUY

1 = GOLD FLASH
 4 = 10µ" GOLD



RoHS COMPLIANT

DO NOT SCALE FROM DRAWING



THESE DRAWINGS AND SPECIFICATIONS ARE THE PROPERTY OF NorComp AND SHALL NOT BE REPRODUCED, COPIED OR USED AS THE BASIS FOR THE MANUFACTURE OR SALE OF APPARATUS WITHOUT WRITTEN PERMISSION.

DRAWN: M. SIGMON
 DATE: 03-07-16
 CHECKED:
 DATE:

NorComp

SCALE: N.T.S. SHEET 1 OF 1 REV 0
 DWG NO. 858-003-103RLUY