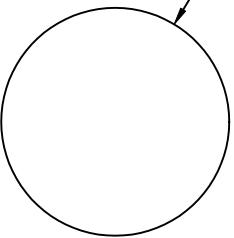


DESCRIPTION: M12 FEMALE - PANEL MOUNT (REAR) - SOLDER CUP - 4 POS.

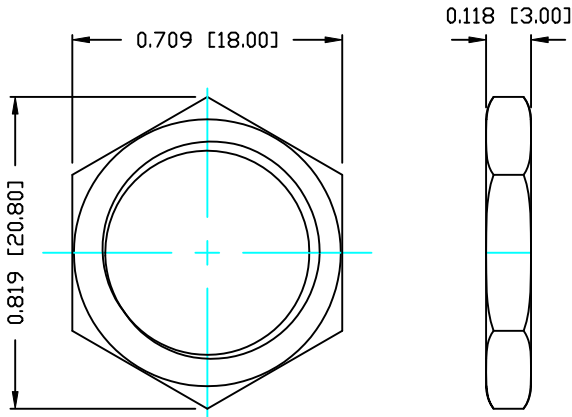
NOTE:

MATERIAL	
HOUSING:	PBT UL94V-0, BLACK
CONTACT:	BRASS
NUT:	BRASS
O-RING B:	EPDM, BLACK
FINISH	
CONTACT:	GOLD PLATED
NUT:	OVER 50µ" NICKEL NICKEL PLATED 60µ" TO 100µ" OVER ALL
ELECTRICAL	
RATED CURRENT:	5A
RATED VOLTAGE:	125V
WATER PROOF:	IP67
ENVIRONMENT	
OPERATION TEMPERATURE:	-40°C TO +85°C
WIRE GAUGE:	24-28 AWG

Ø0.598 [Ø15.20]
+0.008 -0.000
[+0.20 -0.00]



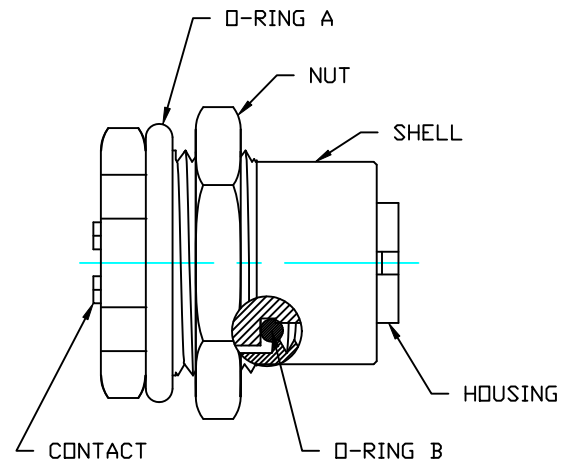
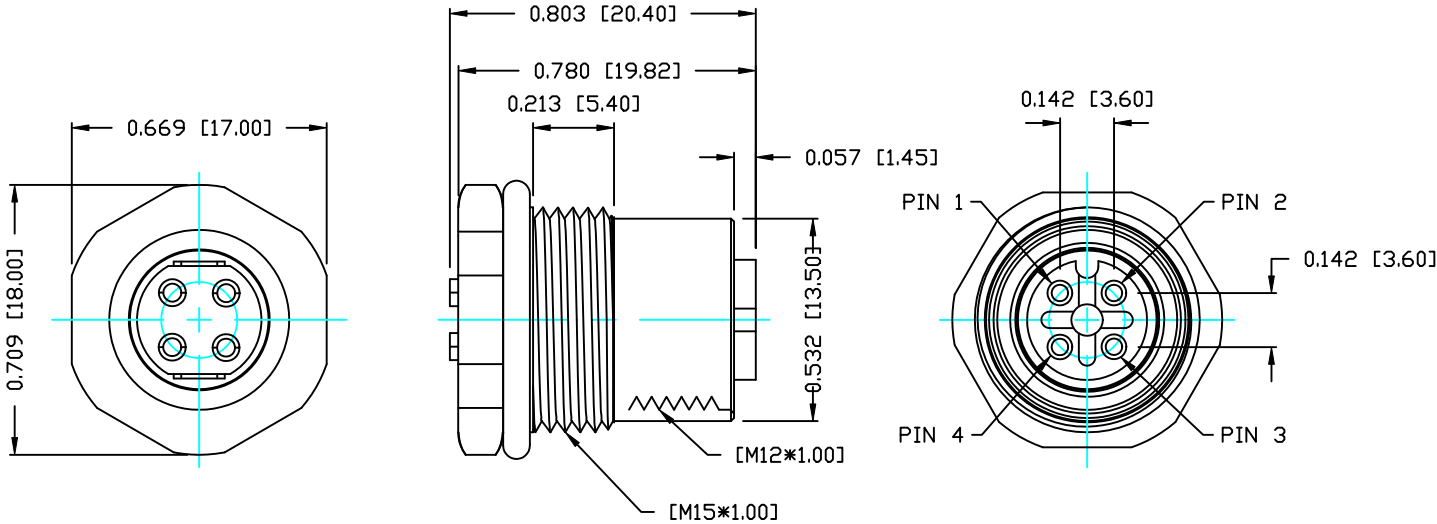
PANEL CUTOUT



NUT

859-004-203R00Y

1 = GOLD FLASH
4 = 10µ" GOLD



RoHS COMPLIANT

DO NOT SCALE FROM DRAWING



THESE DRAWINGS AND SPECIFICATIONS ARE THE PROPERTY OF NorComp AND SHALL NOT BE REPRODUCED, COPIED OR USED AS THE BASIS FOR THE MANUFACTURE OR SALE OF APPARATUS WITHOUT WRITTEN PERMISSION.

DRAWN: M. SIGMON	DATE: 03-07-16
CHECKED:	DATE:

NorComp

SCALE: N.T.S.	SHEET 1	OF 1	REV 0
DWG NO. 859-004-203R00Y			