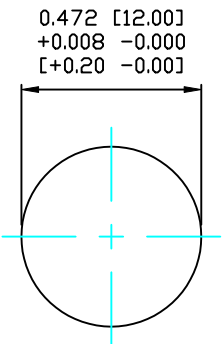


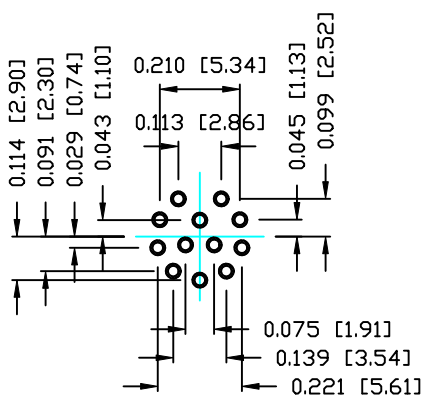
DESCRIPTION: M12 MALE - PANEL MOUNT (REAR) - SOLDER CUP - 12 POS.

NOTE:

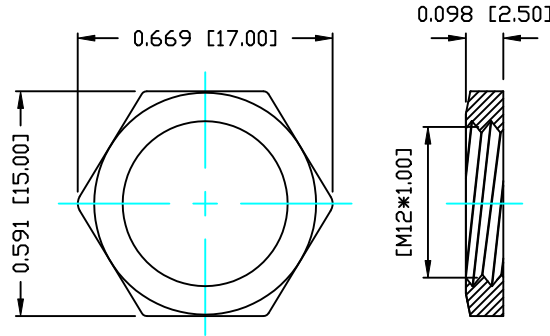
| | |
|------------------------|--------------------|
| MATERIAL | |
| HOUSING: | PBT UL94V-0, BLACK |
| CONTACT: | BRASS |
| NUT: | BRASS |
| O-RING: | EDPM |
| FINISH | |
| CONTACT: | GOLD PLATED |
| | OVER 50µ" NICKEL |
| | NICKEL PLATED |
| ELECTRICAL | |
| RATED CURRENT: | 1A |
| RATED VOLTAGE: | 30V |
| WATER PROOF: | IP67 |
| ENVIRONMENT | |
| OPERATION TEMPERATURE: | -40°C TO +85°C |



PANEL CUTOUT



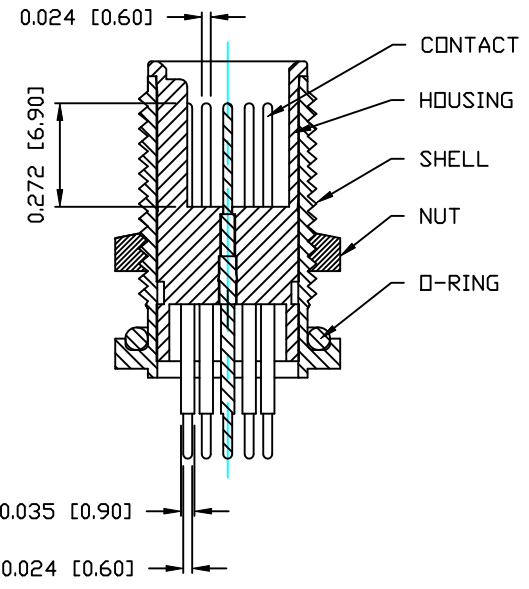
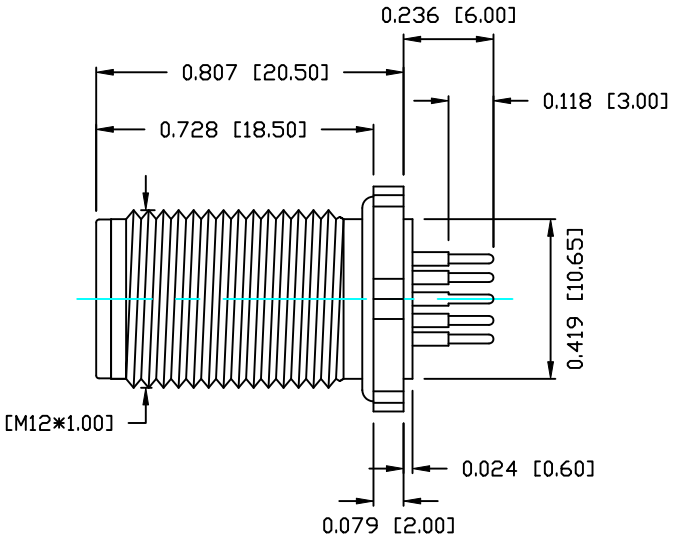
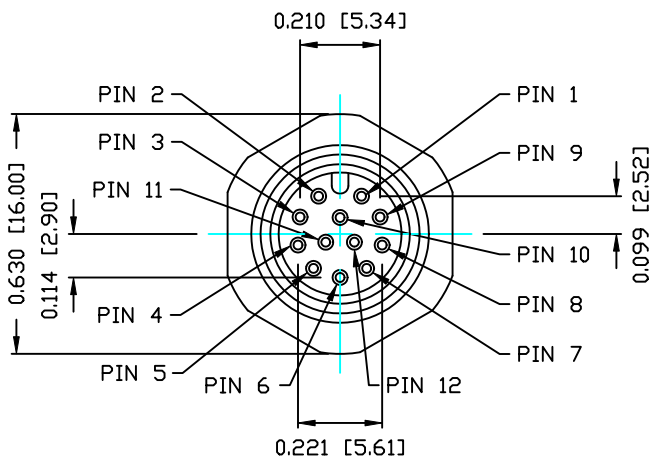
PCB LAYOUT



NUT

860-012-113R00Y

1 = GOLD FLASH
4 = 10µ" GOLD



RoHS COMPLIANT

DO NOT SCALE FROM DRAWING



THESE DRAWINGS AND SPECIFICATIONS ARE THE PROPERTY OF NorComp AND SHALL NOT BE REPRODUCED, COPIED OR USED AS THE BASIS FOR THE MANUFACTURE OR SALE OF APPARATUS WITHOUT WRITTEN PERMISSION.

| | |
|----------------------------|--------------------------|
| DRAWN: M. SIGMON | DATE: 03-08-16 |
| CHECKED: | DATE: |

NorComp

| | | | |
|--------------------------------|-------------------|----------------|-----------------|
| SCALE: N.T.S. | SHEET 1 | OF 1 | REV 0 |
| DWG NO. 860-012-113R00Y | | | |