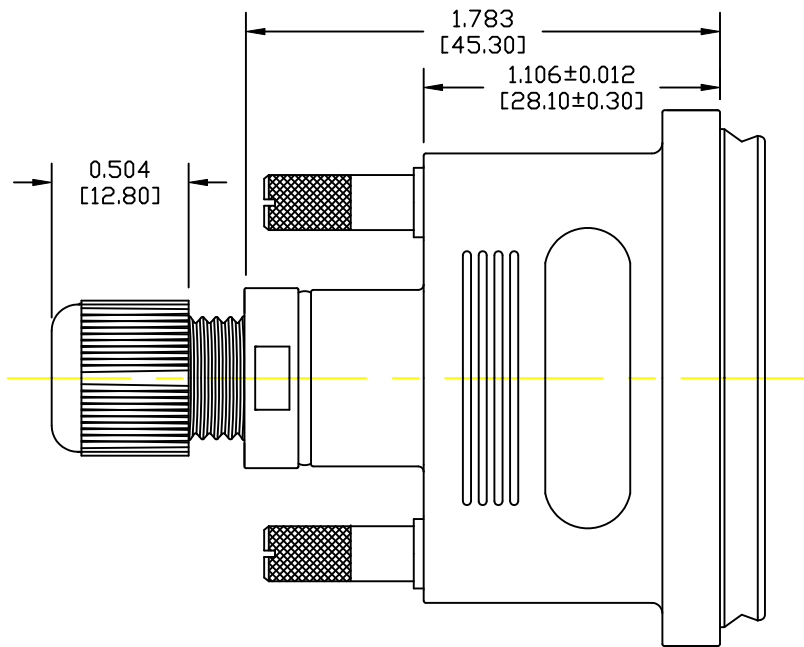
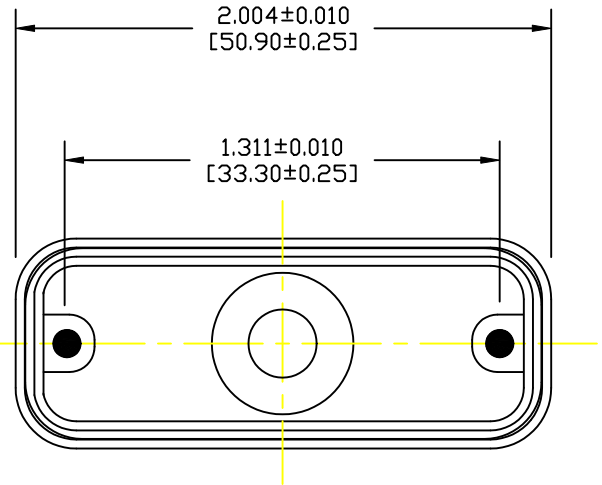
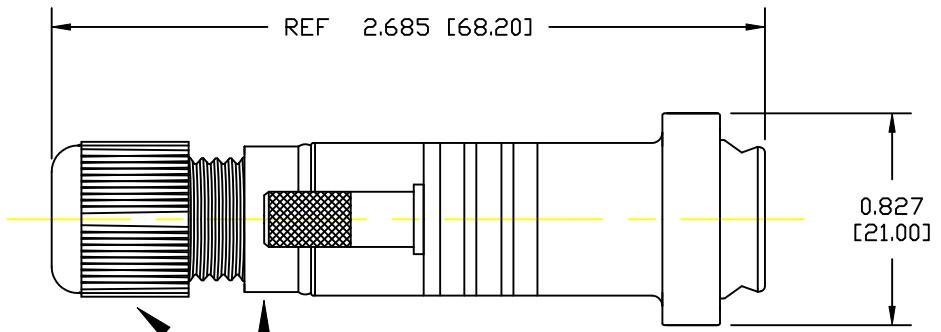


DESCRIPTION: IP67 - 15 POSITION PLASTIC BACKSHELL - ONLY



**MATERIAL & FINISH:**


- BACKSHELL: ABS - UL HB RATED, BLACK COLOR
- BAUSHINGS & BAFFLE: SILICONE
- 4-40 THUMBSCREWS: BRASS, NICKEL PLATED
- TEMPERATURE: -50°C TO 125°C
- CABLE DIAMETER: 0.300 inches [7.62mm] Max.  
0.100 inches [2.54mm] Min.



**TORQUE  
SETTING**  
6.075-9.547 in.lbs  
[7-11 kgf.cm]

DO NOT SCALE FROM DRAWING

RoHS COMPLIANT

	THESE DRAWINGS AND SPECIFICATIONS ARE THE PROPERTY OF NorComp AND SHALL NOT BE REPRODUCED, COPIED OR USED AS THE BASIS FOR THE MANUFACTURE OF SALE OF APPARATUS WITHOUT WRITTEN PERMISSION.		DRAWN: M. SIGMON	DATE: 12-15-10
			CHECKED:	DATE:
NorComp		SCALE: 2 : 1	SHEET 1 OF 1	REV 4
		DWG NO. 967-015-010R011		