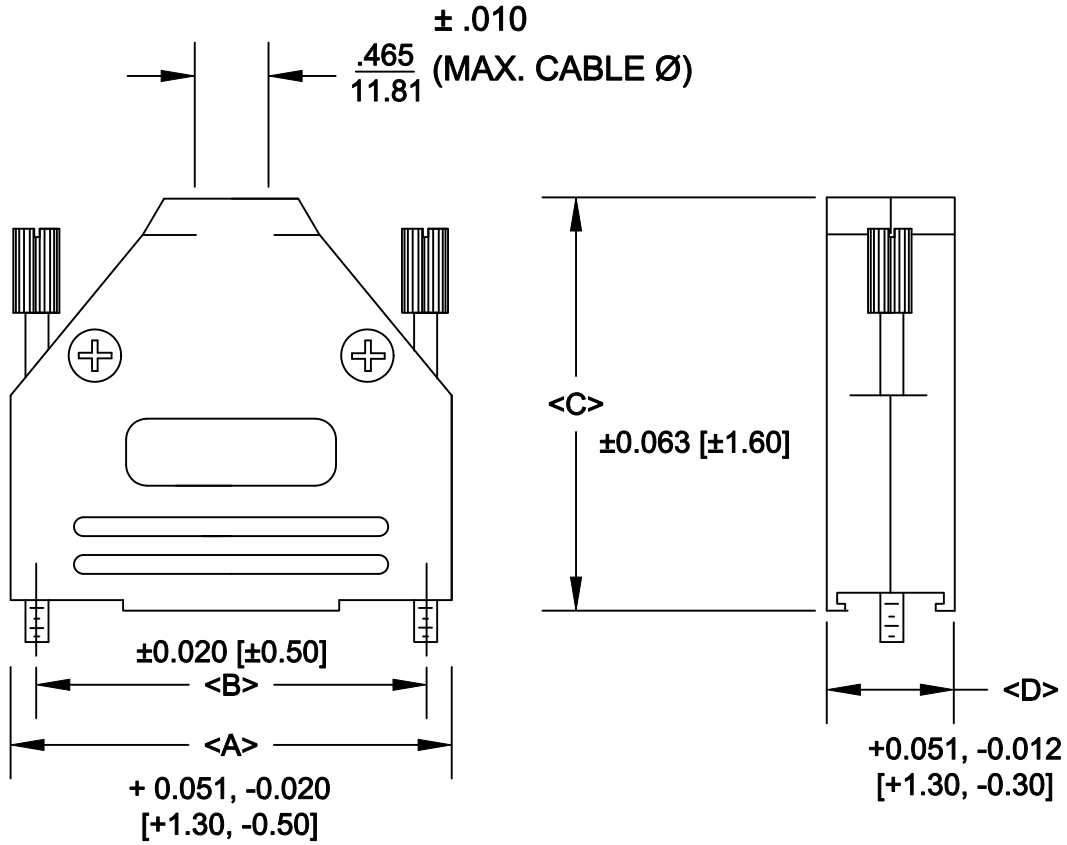


**BACKSHELL KIT INCLUDES:**

- (2) BACKSHELL HALVES
- (2) 4-40 THUMBSCREWS
- (2) HOUSING SCREWS/NUTS
- (1) SET OF COMPRESSION INSERTS-VARIOUS SIZES  
 $\varnothing 0.157$  [4.0],  $\varnothing 0.197$  [5.0],  $\varnothing 0.276$  [7.0],  $\varnothing 0.354$  [9.0]

970-YYY-010R011

SERIES	970-YYY-010R011
POSITIONS	009 015 025 037
MATERIAL	010 = PLASTIC
COLOR:	01 = BLACK
PUT-UPS	1 = KIT




**\*\*NOTE: 3.0 IN/LBS IS RECOMMENDED TORQUE VALUE FOR HOUSING SCREWS/NUTS\*\***

POS.	A	B	C	D
9	1.228	.984	1.571	.590
	31.19	24.99	39.90	14.99
15	1.555	1.312	1.634	.590
	39.50	33.32	41.50	14.99
25	2.102	1.852	1.913	.590
	53.39	47.04	48.59	14.99
37	2.744	2.500	2.110	.590
	69.70	63.50	53.59	14.99

**PLASTIC: ABS POLYLAC - BLACK - UL 94-HB**  
**JACKSCREWS: STEEL - BLACK**  
**M3 HOODSCREWS: STEEL - BLACK**  
**COMPRESSION INSERT: ABS UL 94-HB**  
**M3 NUT: STEEL - BLACK**  
**OPERATING TEMP: - 30°C TO + 90°C**

RoHS COMPLIANT

	THESE DRAWINGS AND SPECIFICATIONS ARE THE PROPERTY OF NorComp AND SHALL NOT BE REPRODUCED, COPIED OR USED AS THE BASIS FOR THE MANUFACTURE OR SALE OF APPARATUS WITHOUT WRITTEN PERMISSION.		DRAWN: <b>PAM JENKINS</b>	DATE: <b>6-9-05</b>
	NorComp			CHECKED:
SCALE		SHEET OF		REV <b>10</b>
DWG NO.			<b>970 -YYY-010R011</b>	