

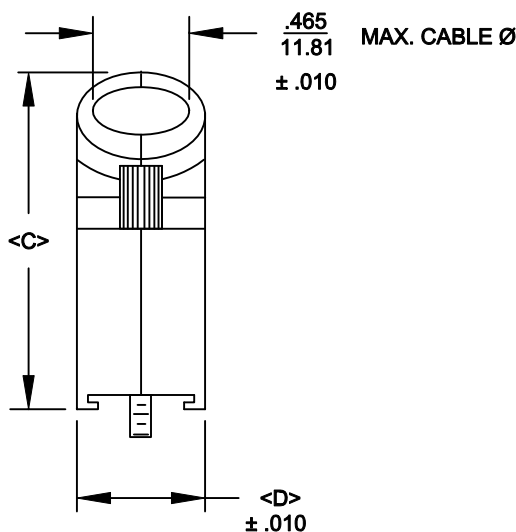
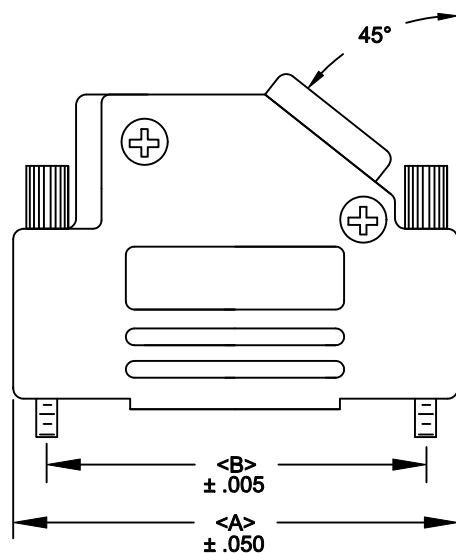
**BACKSHELL KIT INCLUDES:**

- (2) BACKSHELL HALVES
- (2) 4-40 THUMBSCREWS
- (2) HOUSING SCREWS
- (1) COMPRESSION RING - VARIOUS SIZES  
 $\varnothing 0.157$  [4.0],  $\varnothing 0.197$  [5.0],  $\varnothing 0.276$  [7.0],  $\varnothing 0.354$  [9.0]

**\*\*NOTE: 3.0 IN/LBS IS  
 RECOMMENDED TORQUE VALUE  
 FOR HOUSING SCREWS/NUTS\*\***

SERIES \_\_\_\_\_  
 POSITIONS \_\_\_\_\_  
 009 \_\_\_\_\_  
 015 \_\_\_\_\_  
 025 \_\_\_\_\_  
 037 \_\_\_\_\_  
 MATERIAL \_\_\_\_\_  
 020 = METALIZED PLASTIC \_\_\_\_\_  
 COLOR: \_\_\_\_\_  
 12 = NICKEL OVER COPPER \_\_\_\_\_  
 PUT-UPS \_\_\_\_\_  
 1 = KIT \_\_\_\_\_


NOTE: 9 POSITION HAS ONLY 1 THUMBSCREW  
 (OPPOSITE CABLE ENTRY)



POS.	A	B	C	D
9	1.220	.984	1.496	.614
	30.99	24.99	38.00	15.60
15	1.595	1.312	1.618	.614
	40.51	33.32	41.10	15.60
25	2.114	1.852	1.646	.614
	53.70	47.04	41.81	15.60
37	2.748	2.500	1.646	.614
	69.80	63.50	41.81	15.60

PLASTIC: ABS VH-0800 - NICKEL PLATED - UL 94-HB  
 JACKSCREWS: STEEL  
 HOOD SCREWS: STEEL  
 COMPRESSION INSERTS: ABS UL 94-HB  
 NUTS: STEEL  
 OPERATING TEMP: -30°C TO + 90 °C

RoHS COMPLIANT

	THESE DRAWINGS AND SPECIFICATIONS ARE THE PROPERTY OF NorComp AND SHALL NOT BE REPRODUCED, COPIED OR USED AS THE BASIS FOR THE MANUFACTURE OR SALE OF APPARATUS WITHOUT WRITTEN PERMISSION.		DRAWN: <b>PAM JENKINS</b>	DATE: <b>6-10-05</b>
			CHECKED:	DATE:
NorComp		SCALE	SHEET 1 OF 1	REV 9
		DWG NO. <b>971-YYY-020R121</b>		