

DESCRIPTION: 971 SERIES D-SUB BACKSHELL

BACKSHELL KIT INCLUDES:

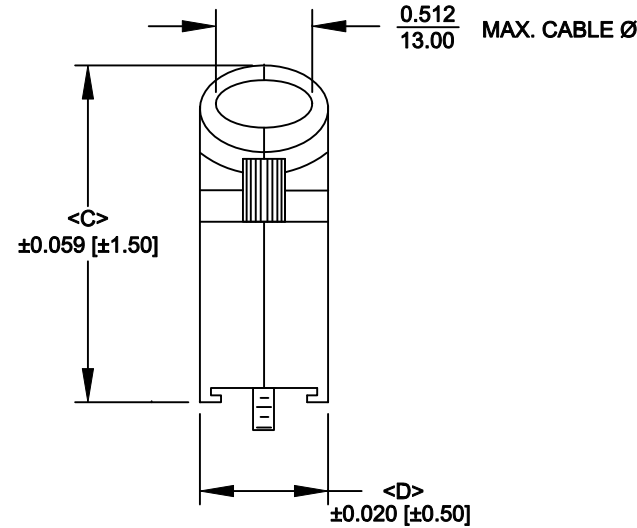
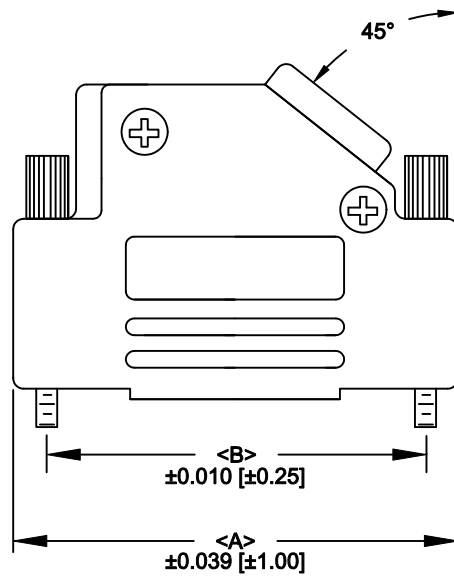
- (2) BACKSHELL HALVES
- (2) 4-40 THUMBSCREWS
- (2) HOUSING SCREWS
- (1) COMPRESSION RING - VARIOUS SIZES
 $\varnothing 0.157$ [4.0], $\varnothing 0.197$ [5.0], $\varnothing 0.276$ [7.0], $\varnothing 0.354$ [9.0]

NOTE: 9 POSITION HAS ONLY 1 THUMBSCREW

(OPPOSITE CABLE ENTRY)

971-YYY-040R011

SERIES _____
 POSITIONS _____
 009 _____
 015 _____
 025 _____
 037 _____
 MATERIAL _____
 040 = ZINC _____
 COLOR: _____
 01 = BLACK _____
 PUT-UPS _____
 1 = KIT _____



POS.	A	B	C	D
9	1.220	.984	1.429	.570
	30.99	24.99	36.30	14.48
15	1.556	1.312	1.587	.570
	39.50	33.32	40.30	14.48
25	2.094	1.852	1.587	.570
	53.20	47.04	40.30	14.48
37	2.744	2.500	1.587	.570
	69.70	63.50	40.30	14.48

MATERIAL: DIE CAST ZINC ALLOY

PLATING: BLACK OXIDE


JACKSCREWS: STEEL - BLACK OXIDE

HOOD SCREWS: STEEL - BLACK OXIDE

COMPRESSION INSERTS: ABS UL 94-HB

OPERATING TEMP: -40°C TO + 120 °C

RoHS COMPLIANT

	THESE DRAWINGS AND SPECIFICATIONS ARE THE PROPERTY OF NorComp AND SHALL NOT BE REPRODUCED, COPIED OR USED AS THE BASIS FOR THE MANUFACTURE OR SALE OF APPARATUS WITHOUT WRITTEN PERMISSION.		DRAWN: PAM JENKINS	DATE: 6-10-05
			CHECKED:	DATE:
NorComp		SCALE	SHEET 1 OF 1	REV 8
		DWG NO. 971-YYY-040R011		