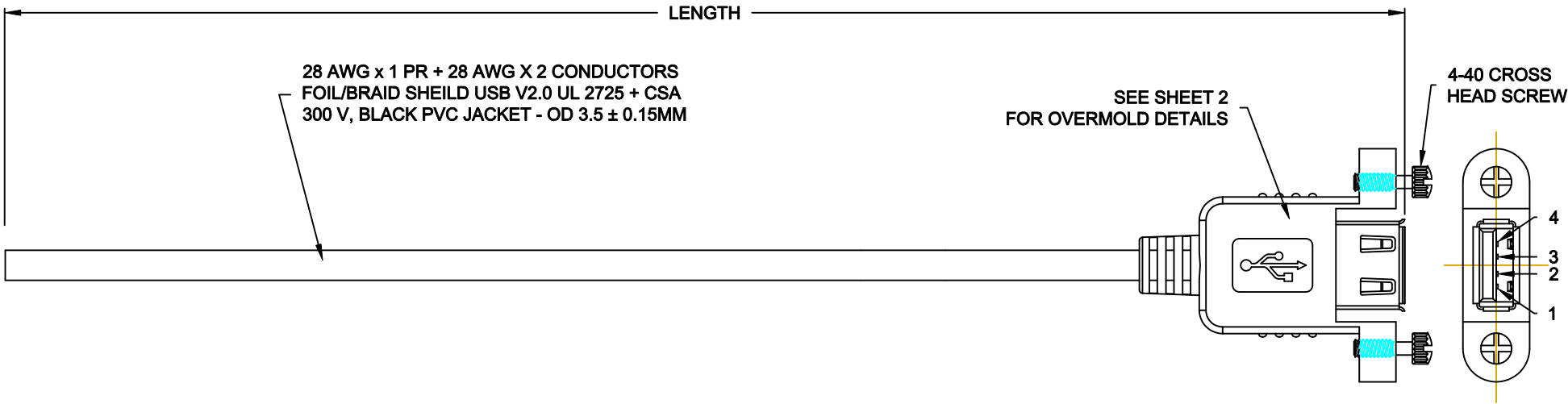
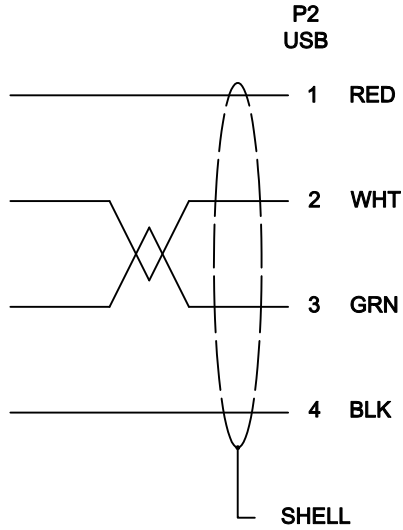


DESCRIPTION: TYPE "A" FEMALE PANEL MOUNT - BLUNT CUT



P2
USB TYPE "A" FEMALE
PANEL MOUNT



CONNECTOR PINOUT

CCA-000-Y YY R146

DIMENSION LENGTH

I = INCHES
F = FEET
M = METERS

DO NOT SCALE FROM DRAWING

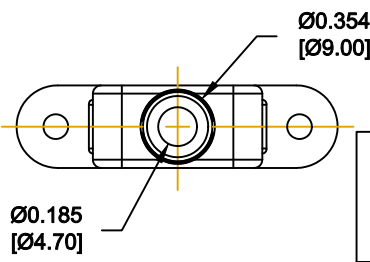
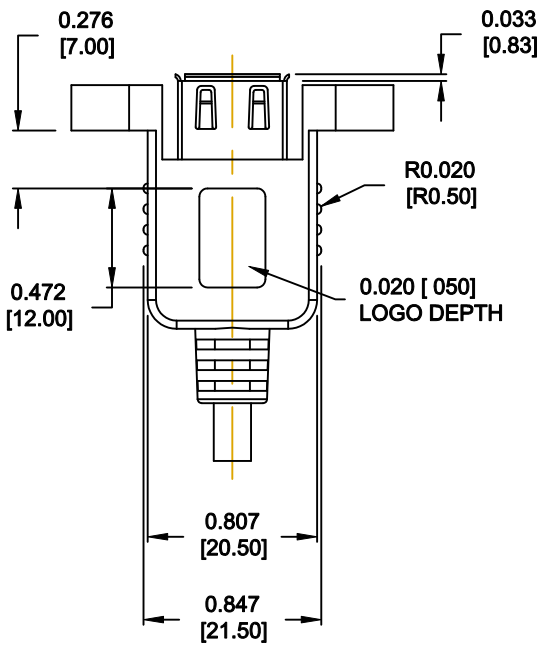
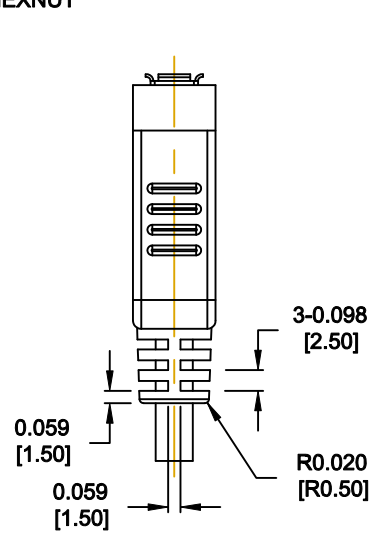
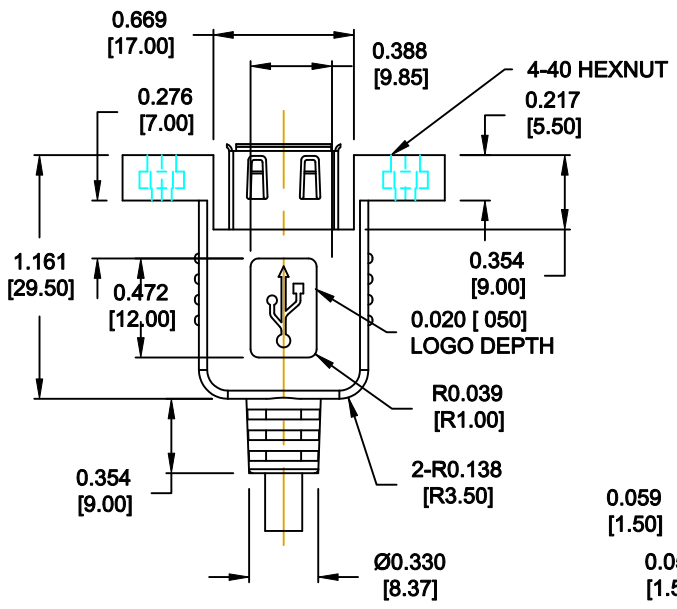
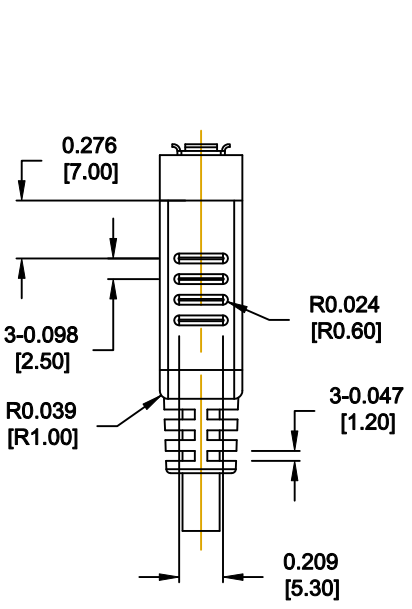
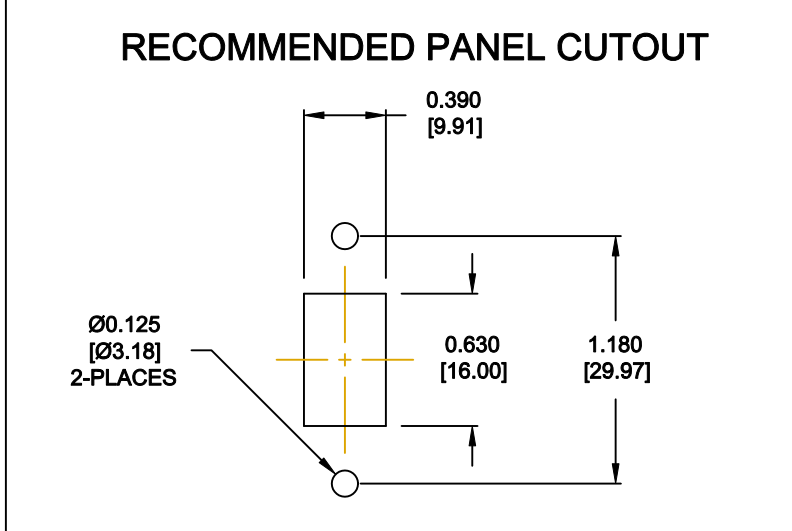
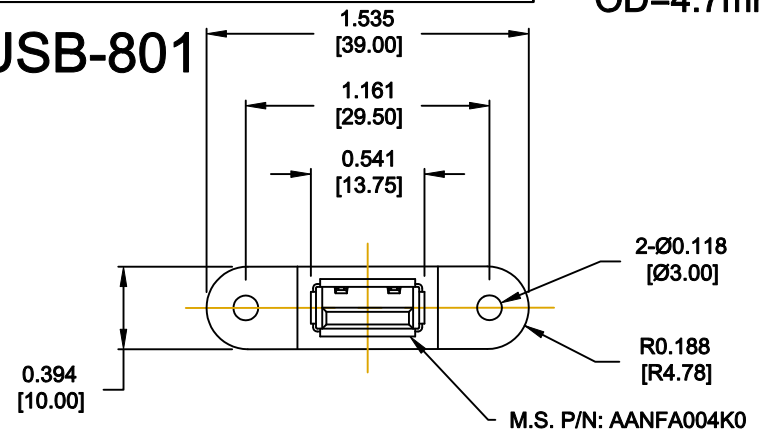
ALL MATERIALS AND ASSEMBLY METHODS
USED IN THE MANUFACTURE OF THIS CABLE IS
RoHS COMPLIANT

	THESE DRAWINGS AND SPECIFICATIONS ARE THE PROPERTY OF NorComp AND SHALL NOT BE REPRODUCED, COPIED OR USED AS THE BASIS FOR THE MANUFACTURE OF SALE OF APPARATUS WITHOUT WRITTEN PERMISSION.		DRAWN: M. SIGMON	DATE: 11-05-10
			CHECKED:	DATE:
NorComp		SCALE: 1:1	SHEET 1 OF 2	REV 3
		DWG NO. CCA-000-YYR146		

DESCRIPTION: TYPE "A" FEMALE PANEL MOUNT - OVERMOLD DETAILS

OD=4.7mm

MOLD # LM2-USB-801



THESE DRAWINGS AND SPECIFICATIONS ARE THE PROPERTY OF NorComp AND SHALL NOT BE REPRODUCED, COPIED OR USED AS THE BASIS FOR THE MANUFACTURE OF SALE OF APPARATUS WITHOUT WRITTEN PERMISSION.

NorComp

DRAWN: M. SIGMON		DATE: 11-05-10	
CHECKED:		DATE:	
SCALE: 1:1	SHEET 2 OF 2	REV 3	
DWG NO. CCA-000-YYR146			