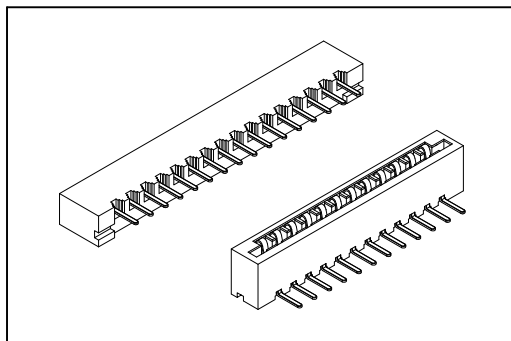


# 2032 Series

## FFC/FPC Connector 2.54mm(0.100") Non ZIF Type



### Material:

Housing: Thermoplastic Polyester Glass Filled UL94V-0.

Contacts: Copper Alloy.

### Electrical Characteristics:

Current Rating: 3 A.

Dielectric Withstanding Voltage: AC 1000V.

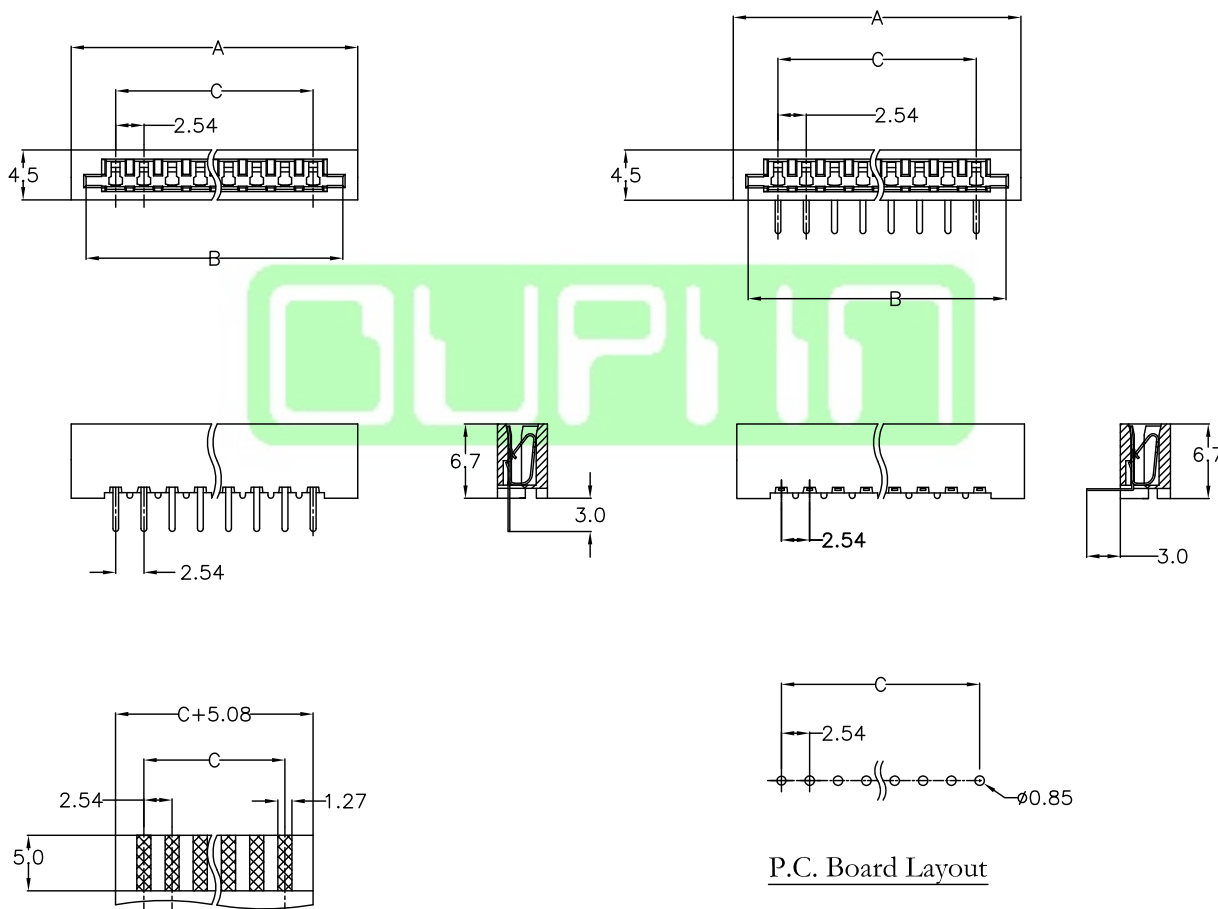
Insulator Resistance: 1000MΩ min.

Contact Resistance: 30mΩ max.

Operating Temperature: -25°C~+85°C.

### Features:

- \* Size 2 through 36 available.
- \* Straight & Right Angle, Non-ZIF.
- \* For 0.3mm(0.0118") thick FFC/FPC, membrane switches.



FFC/FPC Dimension  
Thickness 0.3±0.05mm

Position	2 Thru 26
Dimension	
A	(No. of Positions X 2.54)+5.46
B	(No. of Positions X 2.54)+3.35
C	(No. of Positions - 1) X 2.54

## Ordering information

2032-

Series

26

No. of  
Pin Count

T

T: Tin Plated

S

S: Straight  
R: Right Angle

U

U: Tube Package