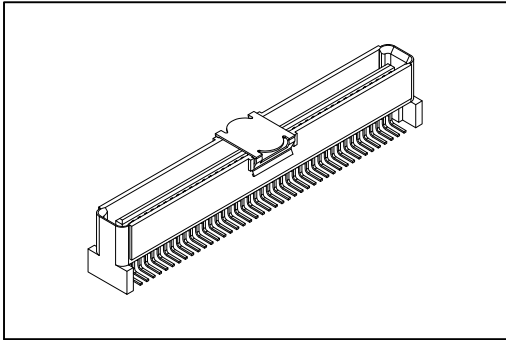


2349 Series

Board To Board 1.0mm(0.039") Male



Material:

Housing: High Temperature Plastic UL94V-0.

Contacts: Copper Alloy.

Electrical Characteristics:

Current Rating: 0.5 A.

Dielectric Withstanding Voltage: AC 500V .

Insulator Resistance: 100MΩ min.

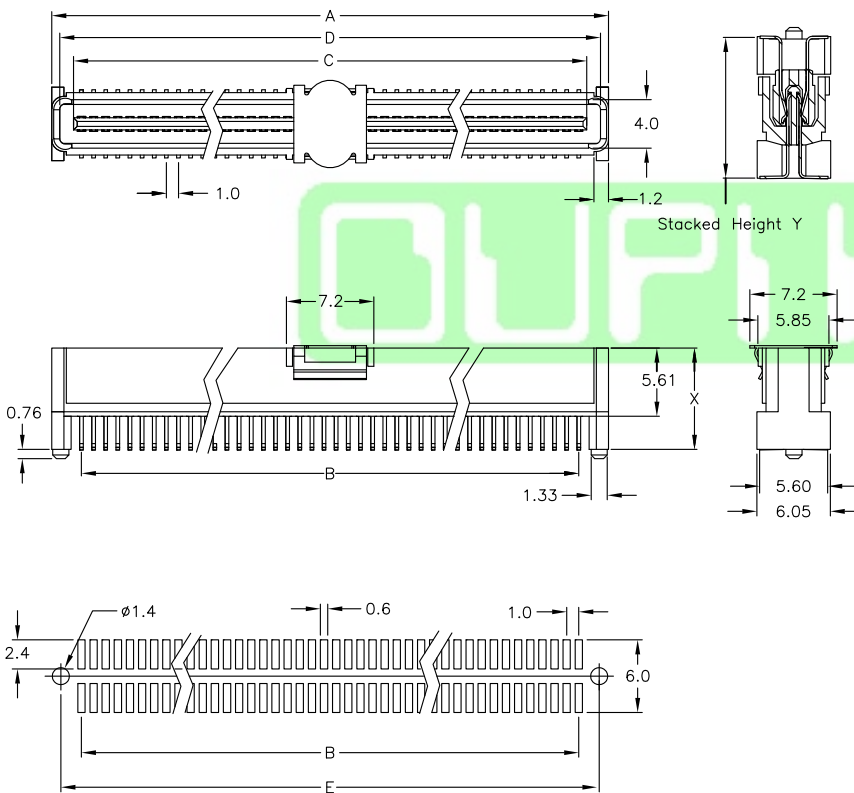
Contact Resistance: 40mΩ max.

Operating Temperature: -25°C~+85°C.

Features:

* Additional plating options available.

Mates with: 2348



P.C. Board Layout

Code			"*" Available Position					
H1	H2	H3	Pos.	Dimension				
				A	B	C	D	E
*			14	10.90	6.00	7.30	9.38	9.38
			16	11.90	7.00	8.30	10.22	10.38
*			18	12.90	8.00	9.30	11.22	11.38
*	*	*	20	13.90	9.00	10.30	12.22	12.38
			22	14.90	10.00	11.30	13.22	13.38
			24	15.90	11.00	12.30	14.22	14.38
			26	16.90	12.00	13.30	15.22	15.38
			28	17.90	13.00	14.30	16.22	16.38
*	*		30	18.90	14.00	15.30	17.22	17.38
			32	19.90	15.00	16.30	18.22	18.38
*			34	20.90	16.00	17.30	19.22	19.38
*			36	21.90	17.00	18.30	20.22	20.38
			38	22.90	18.00	19.30	21.22	21.38
*	*	*	40	23.90	19.00	20.30	22.22	22.38
			42	24.90	20.00	21.30	23.22	23.38
			44	25.90	21.00	22.30	24.22	24.38
			46	26.90	22.00	23.30	25.22	25.38
			48	27.90	23.00	24.30	26.22	26.38
*			50	28.90	24.00	25.30	27.22	27.38
			52	29.90	25.00	26.30	28.22	28.38
			54	30.90	26.00	27.30	29.22	29.38
			56	31.90	27.00	28.30	30.22	30.38
			58	32.90	28.00	29.30	31.22	31.38
			60	33.90	29.00	30.30	32.22	32.38
			62	34.90	30.00	31.30	33.22	33.38
*	*	*	64	35.90	31.00	32.30	34.22	34.38
			66	36.90	32.00	33.30	35.22	35.38
			68	37.90	33.00	34.30	36.22	36.38
			70	38.90	34.00	35.30	37.22	37.38
			72	39.90	35.00	36.30	38.22	38.38
			74	40.90	36.00	37.30	39.22	39.38
			76	41.90	37.00	38.30	40.22	40.38
			78	42.90	38.00	39.30	41.22	41.38
*			80	43.90	39.00	40.30	42.22	42.38
			82	44.90	40.00	41.30	43.22	43.38
*	*	*	84	45.90	41.00	42.30	44.22	44.38
			86	46.90	42.00	43.30	45.22	45.38
			88	47.90	43.00	44.30	46.22	46.38
			90	48.90	44.00	45.30	47.22	47.38
			92	49.90	45.00	46.30	48.22	48.38
			94	50.90	46.00	47.30	49.22	49.38
			96	51.90	47.00	48.30	50.22	50.38
			98	52.90	48.00	49.30	51.22	51.38
*			100	53.90	49.00	50.30	52.22	52.38

Code	1				2				3
Height(X)	6.35				7.35				8.35
Height(Y)	8.0	10.0	11.0	13.0	9.0	12.0	14.0	15.0	

Ordering information

2349- Series
 100 Position
 G G: Gold Plated
 00 00: G/F
 D D: SMD Type
 P P: With Post
 1 Code 1
 T T: Tape & Reel Package
 -M Blank: Without Pad
 N: Without Post
 Code 2
 Code 3
 M: Metal Pad

Information including designs, specifications and components may be changed or updated without notice.

A008