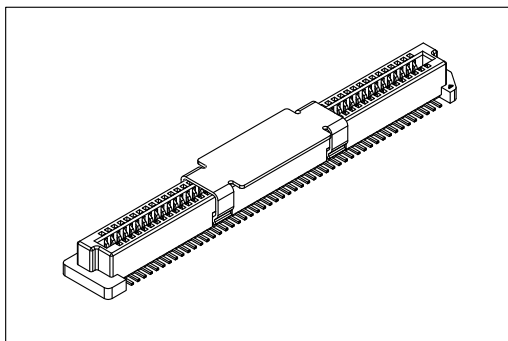


2382 Series

Board To Board 0.8mm(0.0315") Female



Material:

Housing: High Temperature Plastic UL94V-0.

Contacts: Copper Alloy.

Electrical Characteristics:

Current Rating: 0.5 A.

Dielectric Withstanding Voltage: AC 500V.

Insulator Resistance: 500MΩ min.

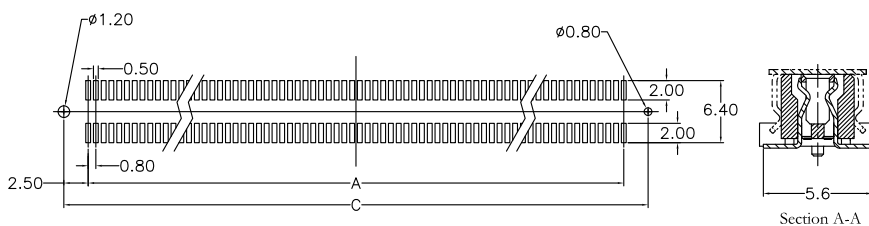
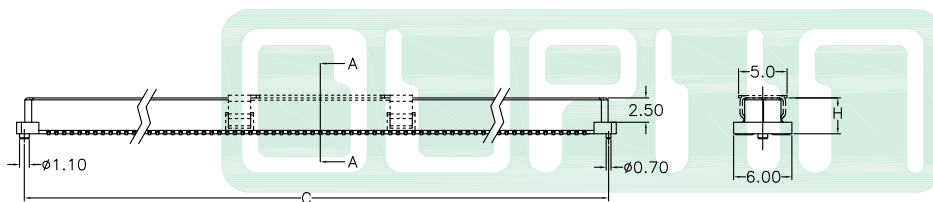
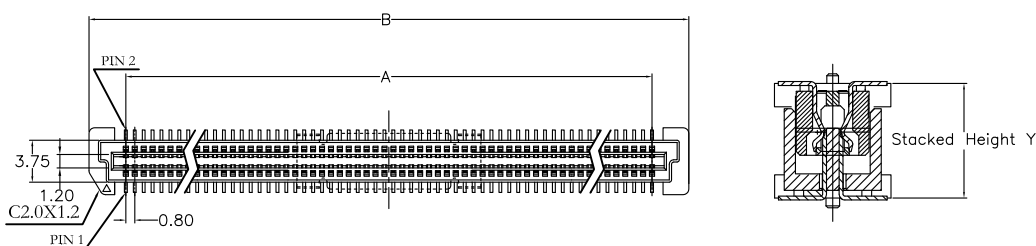
Contact Resistance: 30mΩ max.

Operating Temperature: -45°C~+125°C.

Features:

* Additional plating options available.

Mates with: 2381



P.C. Board Layout

"*" Available Position					
Code	Pos.	Dimension			
		A	B	C	
*	60	23.20	29.80	28.20	
*	80	31.20	37.80	36.20	
*	100	39.20	45.80	44.20	
*	120	47.20	53.80	52.20	
*	140	55.20	61.80	60.20	

Code	1				2			
Height(H)	3.70				7.70			
Height(Y)	5.0	6.0	7.0	8.0	9.0	10.0	11.0	12.0

Ordering information

2382- Series
 100 Position
 C Selective Gold Plated
 00 G/F
 D SMD Type
 P With Post
 N Without Post
 1 Code 1
 2 Code 2
 T Tape & Reel Package
 -M Blank: Without Pad
 M: Metal Pad

Information including designs, specifications and components may be changed or updated without notice.

A007