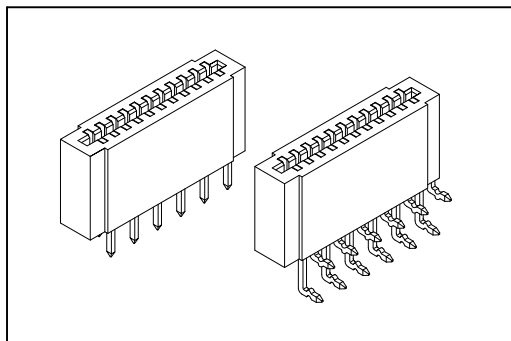


2432 Series

FFC/FPC Connector 1.0mm(0.039") Non ZIF



Material:

Housing: High Temperature Plastic UL94V-0.

Contacts: Copper Alloy.

Electrical Characteristics:

Current Rating: 0.5 A.

Dielectric Withstanding Voltage: AC 250V.

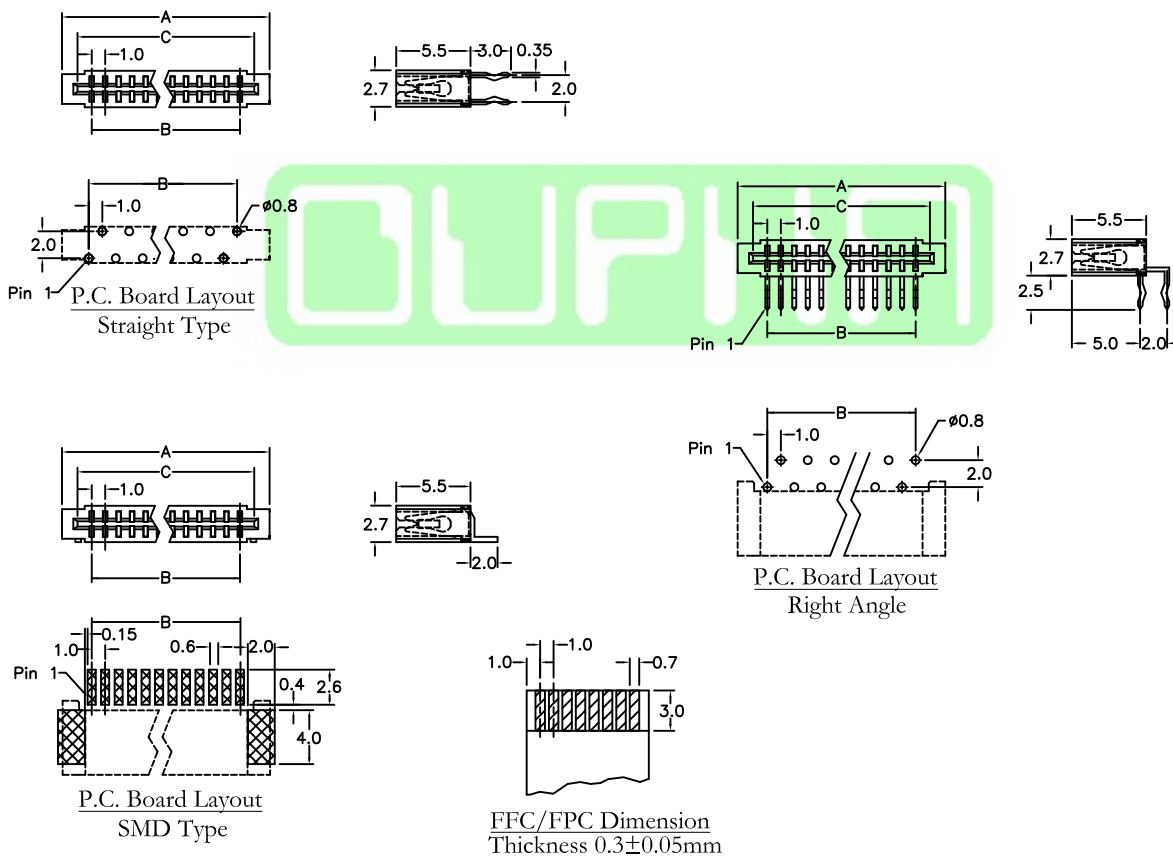
Insulator Resistance: 500MΩ min.

Contact Resistance: 30mΩ max.

Operating Temperature: -55°C~+85°C.

Features:

- * FFC/FPC Connection, Double Contact, Right Angle, Straight and SMD Type.
- * Size 3 through 32 available.
- * For 0.30mm(0.0118") thick FFC/FPC.



Position	3 Thru 32
Dimension A	(No. of Positions X 1.0)+2.5
Dimension B	(No. of Positions X 1.0)-1.0
Dimension C	(No. of Positions X 1.0)+1.2

Ordering information

2432-

Series

32

No. of
Pin Count

T

T: Tin Plated

S

S: Straight
R: Right Angle
D: SMD Type

A

A: Tray Package
U: Tube Package