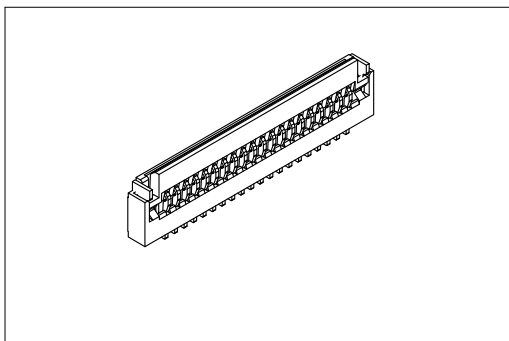


2531-B Series

FFC/FPC Connector 0.5mm(0.02")Flip Lock Type



Material:

Housing: High Temperature Plastic UL94V-0.

Contacts: Copper Alloy.

Solder Pad: Copper Alloy.

Electrical Characteristics:

Current Rating: 0.4 A

Dielectric Withstanding Voltage: AC 200V.

Insulator Resistance: 50MΩ min.

Contact Resistance: 40mΩ max.

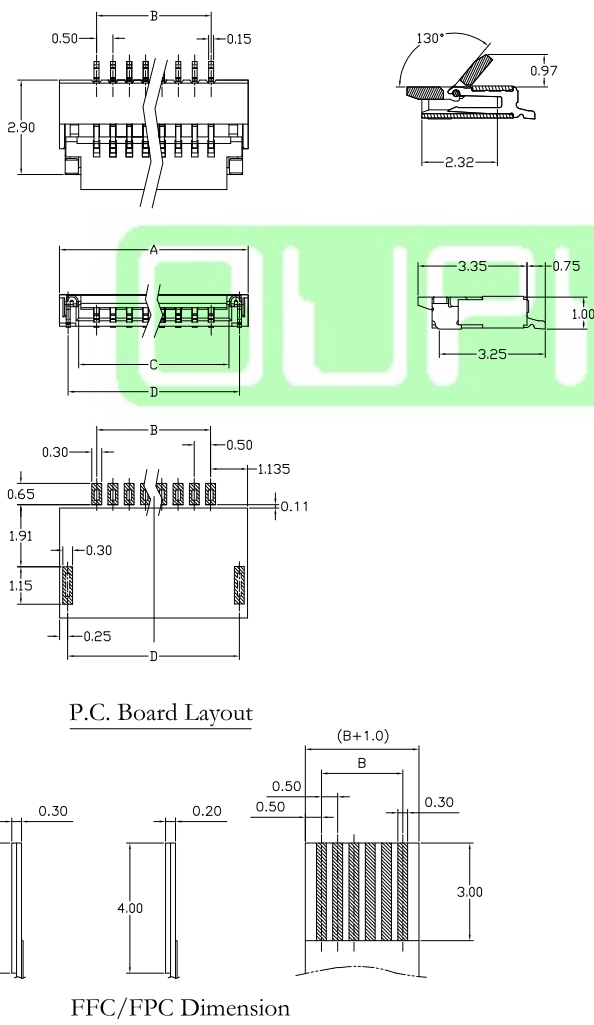
Operating Temperature: -40°C~+85°C.

Features:

* ZIF, Surface Mount.

* Size 4 through 50 available.

* For 0.20mm(0.0079") and 0.30mm(0.0118") thick FFC/FPC.



		"*" Available Position			
		Dimension			
Position		A	B	C	D
*	4	3.77	1.50	2.60	3.27
*	5	4.27	2.00	3.10	3.77
*	6	4.77	2.50	3.60	4.27
	7	5.27	3.00	4.10	4.77
*	8	5.77	3.50	4.60	5.27
*	9	6.27	4.00	5.10	5.77
*	10	6.77	4.50	5.60	6.27
	11	7.27	5.00	6.10	6.77
*	12	7.77	5.50	6.60	7.27
	13	8.27	6.00	7.10	7.77
*	14	8.77	6.50	7.60	8.27
	15	9.27	7.00	8.10	8.77
*	16	9.77	7.50	8.60	9.27
	17	10.27	8.00	9.10	9.77
*	18	10.77	8.50	9.60	10.27
	19	11.27	9.00	10.10	10.77
*	20	11.77	9.50	10.60	11.27
	21	12.27	10.00	11.10	11.77
	22	12.77	10.50	11.60	12.27
	23	13.27	11.00	12.10	12.77
*	24	13.77	11.50	12.60	13.27
	25	14.27	12.00	13.10	13.77
*	26	14.77	12.50	13.60	14.27
	27	15.27	13.00	14.10	14.77
*	28	15.77	13.50	14.60	15.27
	29	16.27	14.00	15.10	15.77
*	30	16.77	14.50	15.60	16.27
	31	17.27	15.00	16.10	16.77
*	32	17.77	15.50	16.60	17.27
*	33	18.27	16.00	17.10	17.77
*	34	18.77	16.50	17.60	18.27
	35	19.27	17.00	18.10	18.77
	36	19.77	17.50	18.60	19.27
	37	20.27	18.00	19.10	19.77
	38	20.77	18.50	19.60	20.27
	39	21.27	19.00	20.10	20.77
*	40	21.77	19.50	20.60	21.27
	41	22.27	20.00	21.10	21.77
*	42	22.77	20.50	21.60	22.27
	43	23.27	21.00	22.10	22.77
	44	23.77	21.50	22.60	23.27
	45	24.27	22.00	23.10	23.77
	46	24.77	22.50	23.60	24.27
	47	25.27	23.00	24.10	24.77
	48	25.77	23.50	24.60	25.27
	49	26.27	24.00	25.10	25.77
*	50	26.77	24.50	25.60	26.27

Ordering information

2531-B

Series

40

No. of
Pin Count

G

G: Gold Plated

00

00: G/F

D

D: SMD Type

B

A: 0.2mm Thickness
FFC/FPC

B: 0.3mm Thickness
FFC/FPC

T

T: Tape & Reel Package

Information including designs, specifications and components may be changed or updated without notice.