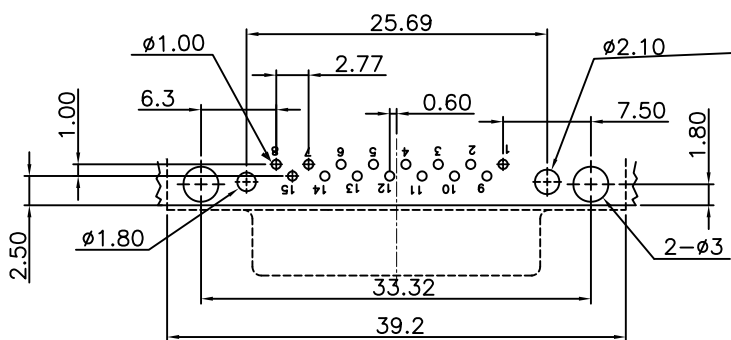
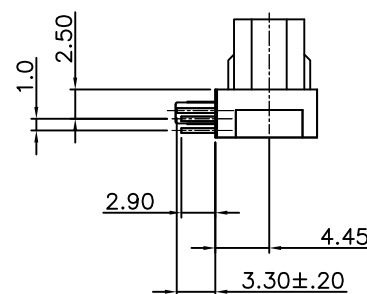
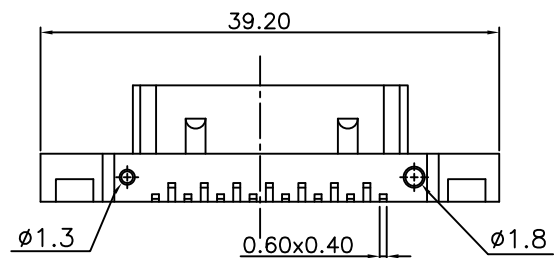
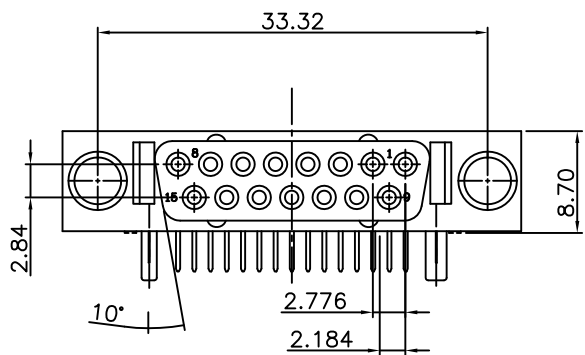


REV.	SPECIFICATION	ECN NO.	APPD.
R1		ECN141119	



P.C. Board Layout  
(Tolerance ±0.05)

7902-SF-15F-CxxR1U  
 Series: 7902-  
 Goods: SF: Semi-Manufactured  
 Position: F: Female  
 C: Selective Gold Plated  
 U: Tube Package  
 1: PCB Hole Position 1  
 R: Right Angle  
 00:G/F  
 10:10μ"  
 15:15μ"

**Material:**

Housing: High Temperature Plastic UL94V-0.  
 Contacts: Copper Alloy

**Electrical Characteristics:**

Current Rating: 1 AMP.  
 Dielectric Withstanding Voltage: AC 1000V For 1 minute.  
 Insulator Resistance: 1000 MΩ min.at DC 1000V.  
 Contact Resistance: 20mΩ max.at DC 100mA.  
 Operating Temperature: -55°C ~ +105°C.

**\*RoHS Compliant**

Tolerances	Dwg. No.	7902D02011		Title: 7902 Series Slim D-SUB Right Angle Type
x = ±0.5	Projection			
.x = ±0.25	Unit	mm	Scale 1:1	
.xx = ±0.15	Drawn By	YTY11/14'14		

OUPIIN ELECTRONIC(KUNSHAN) CO., LTD.			
P/N: 7902-SF-15FC00R1U			
SHEET	1/1	Ver.No.	R1