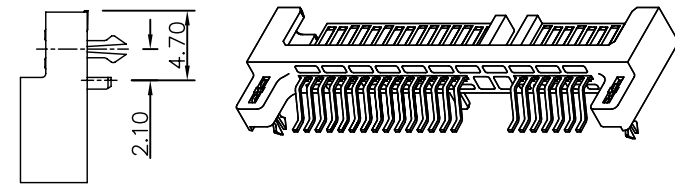
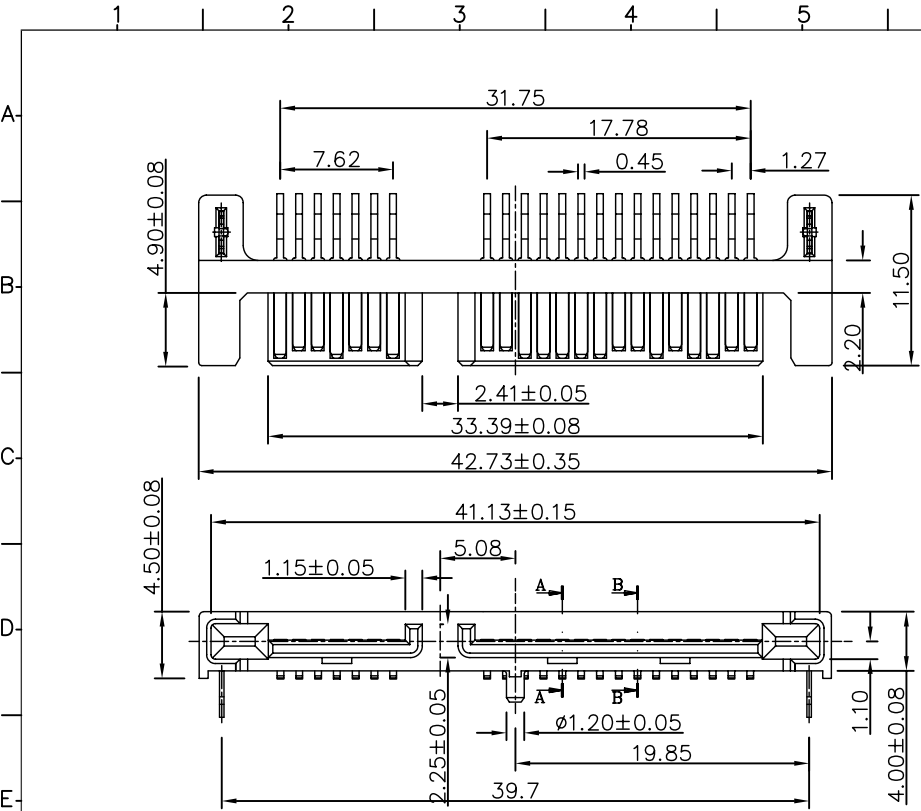


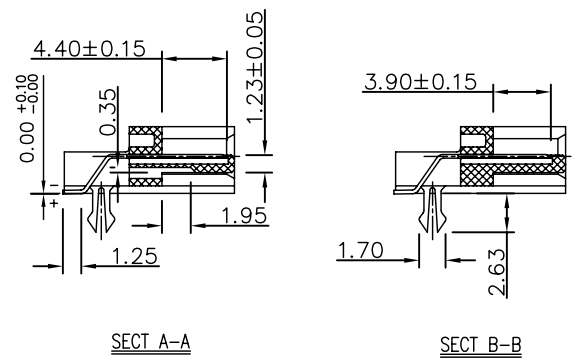
REV.	SPECIFICATION	ECN NO.	APPD.



Material:
 Housing: High Temperature Plastic UL94V-0.
 Contacts: Copper Alloy.

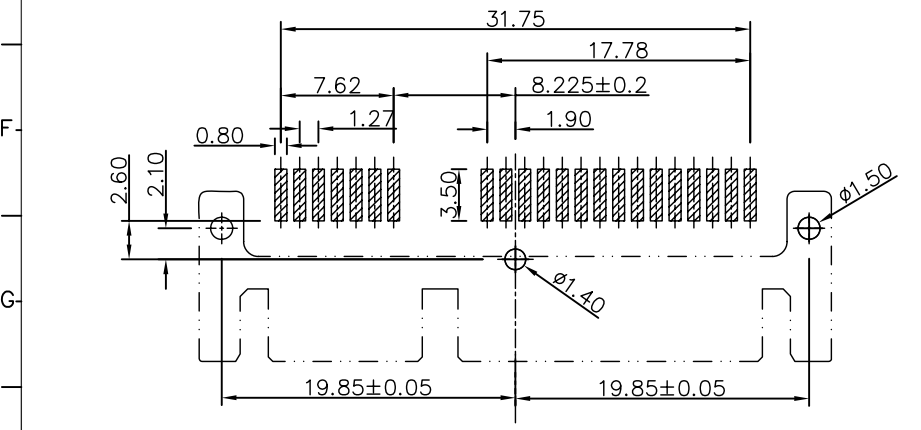
Electrical Characteristics:
 Current Rating: 1.5 AMP.
 Dielectric Withstanding Voltage: 500 V AC.
 Insulator Resistance: 1000MΩ min.
 Contact Resistance: 30mΩ max.
 Operating Temperature: -55°C ~ +85°C.

***RoHS Compliant**



Signal Segment	
Name	Type
S1	GND
S2	A+
S3	A-
S4	GND
S5	B-
S6	B+
S7	GND

Power Segment	
Name	Type
P1	V33
P2	V33
P3	V33
P4	GND
P5	GND
P6	GND
P7	V5
P8	V5
P9	V5
P10	GND
P11	DAS/DSS
P12	GND
P13	V12
P14	V12
P15	V12



P.C.Board Layout

7904- 22 M C 15 D B A - 01
 Series Position Male C:Selective 15:15u" D:SMD B:Reverse A:Tray Internal Code
 Gold Plated Package

Tolerances	Dwg. No.	7904D01001	Title:	7904 Series	OUPIN OUPIN ELECTRONIC(KUNSHAN) CO., LTD. P/N: 7904-22MC15DBA-01
x = ±0.5	Projection		Serial ATA 7+15P SMD		
.x = ±0.38	Unit mm	Scale	2:1		
.xx = ±0.25	Drawn By	ZJJ 08/27'12	Right Angle (Reverse) Male		
			φ 705	SHEET	1/1
				Ver.No.	A2