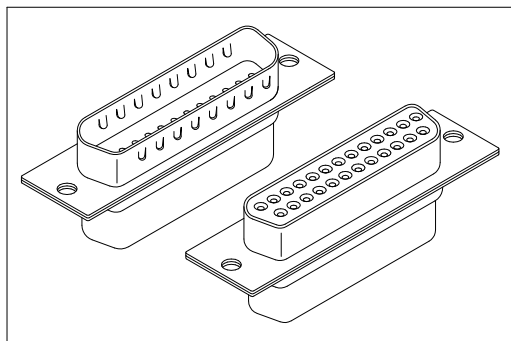


7908 Series

D-SUB Crimp Type



Material:

Housing: Thermoplastic Polyester Glass Filled UL94V-0.

Contacts: Copper Alloy.

Shell: Metal.

Recommend Wire: 24AWG to 28AWG.

Electrical Characteristics:

Current Rating: 1 A.

Dielectric Withstanding Voltage: AC 1000V.

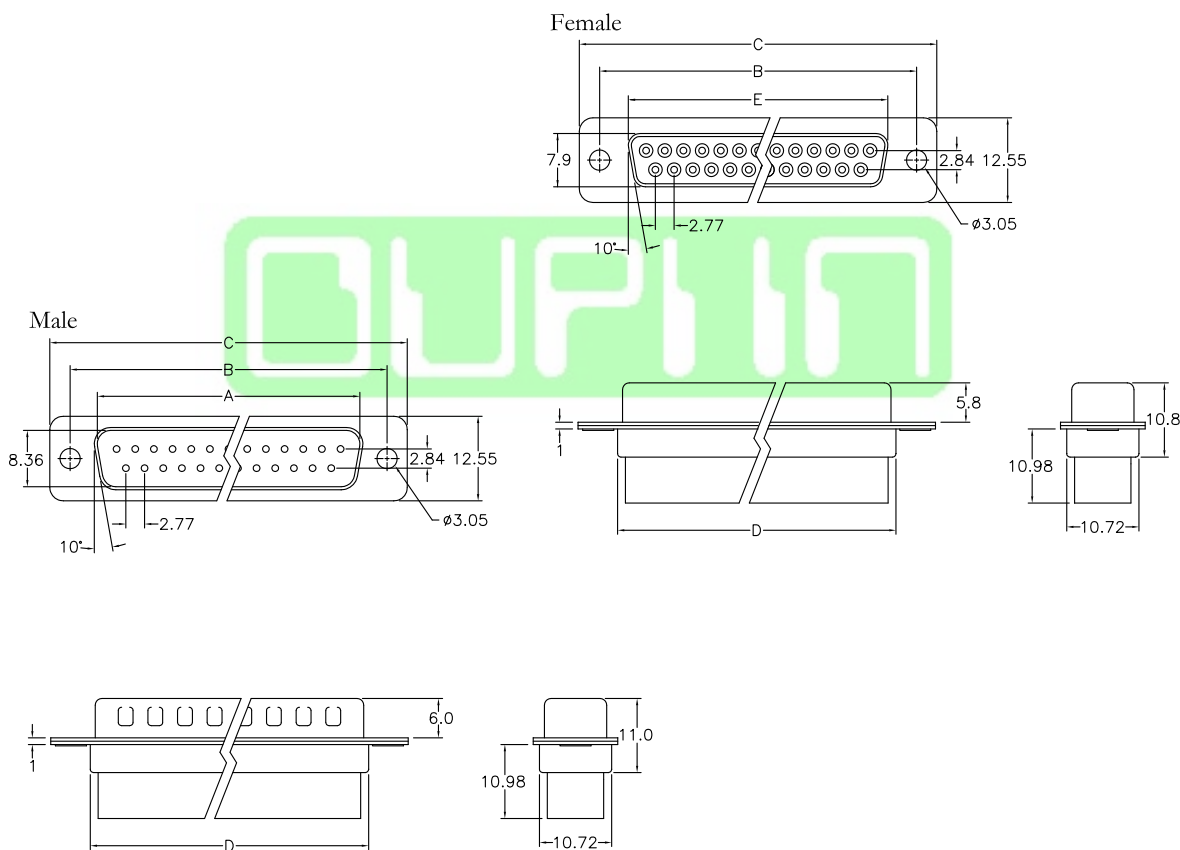
Insulator Resistance: 1000MΩ min.

Contact Resistance: 30mΩ max.

Operating Temperature: -55°C~+105°C.

Features:

Mates with: 7905, 7906, 7926, 7936.



Position	Dimension				
	A	B	C	D	E
9	16.92	24.99	30.81	19.28	16.33
15	25.25	33.32	39.14	27.51	24.66
25	38.96	47.04	53.04	41.30	38.38
37	55.42	63.50	69.32	57.71	54.84

Ordering information

7908- Series 37 Position M M: Male
F: Female T T: Tin Shell

N1 Blank: Standard Type
N1 : More Option Pls
See Page A160

A A: Tray Package

7908- Series PIN- 10K Pins Per Reel M- M: Male
F: Female 10K

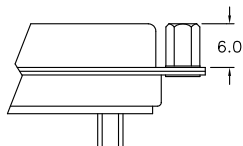
Information including designs, specifications and components may be changed or updated without notice.

Mounting Option



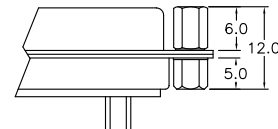
Option N1

With NUTS #4-40 Threaded
Riveted On Face Side



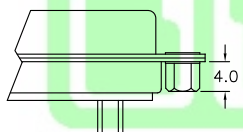
Option N1N6

With NUTS #4-40 Threaded
Riveted On Face Side and
Jack Screws Assembled



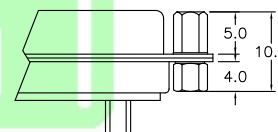
Option N2

With NUTS #4-40 Threaded
Riveted On Rear Side



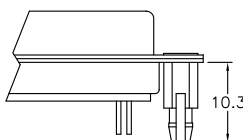
Option N2N6

With NUTS #4-40 Threaded
Riveted On Rear Side and
Jack Screws Assembled



Option N3

With #4-40 Threaded Riveted
Brackets (Board Locks)



Option N3N6

With #4-40 Threaded Riveted
Brackets and Jack Screws
Assembled

