

REV.	SPECIFICATION	ECN NO.	APPD.

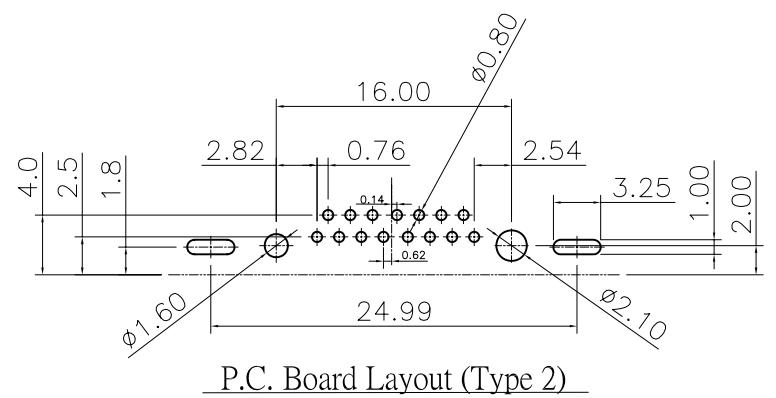
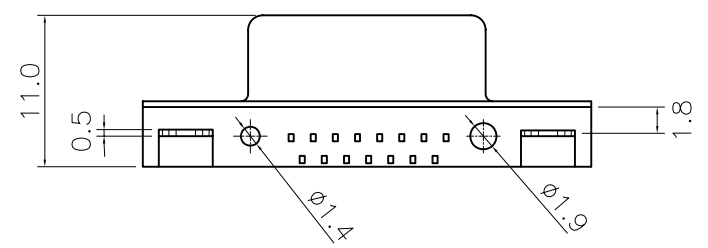
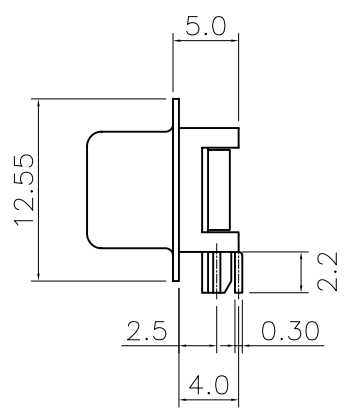
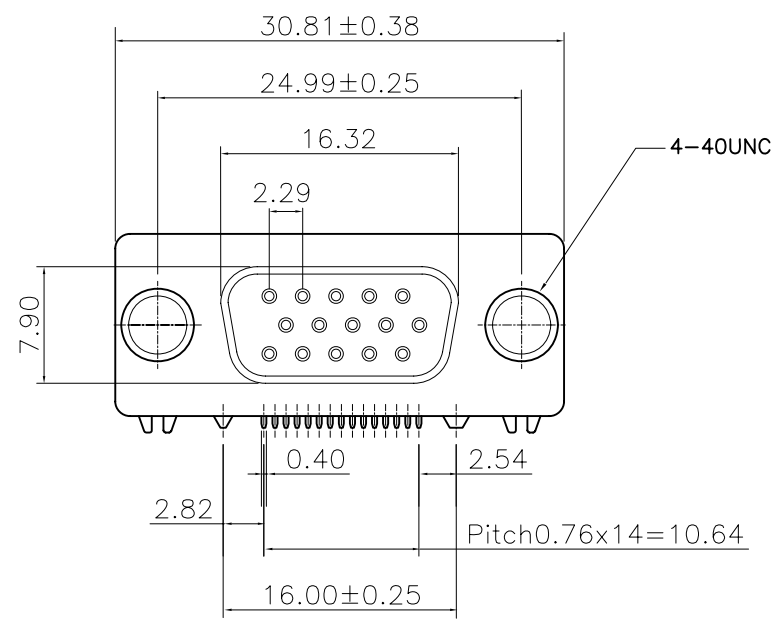
Material:

Housing: Thermoplastic Polyester Glass Filled UL94V-0.
Contacts: Copper Alloy.
Shell: Metal.
Boark Lock: Copper Alloy.

Electrical Characteristics:

Current Rating: 3 AMP.
Dielectric Withstanding Voltage: AC 500V For 1 minute.
Insulator Resistance: 1000MΩmin. at DC 500V.
Contact Resistance: 20mΩmax. at DC 100mA.
Operating Temperature: -55°C~+105°C.

***RoHS Compliant**



7912-B 15 F C 00 R 2 U
 Series Position F: Female C: Selective 00: G/F R: Right Angle 2: Type 2 U: Tube Package
 Gold Plated

Tolerances	Drawn No.	7912D02009	Title:		OUPIIN OUPIIN ELECTRONIC(KUNSHAN) CO., LTD.			
x = ±0.30	Projection		7912 Series					
.x = ±0.25	Unit	mm			Scale	1:1	SHEET	1/1
.xx = ±0.15	Drawn By	Peggy 01/05'10	①516					