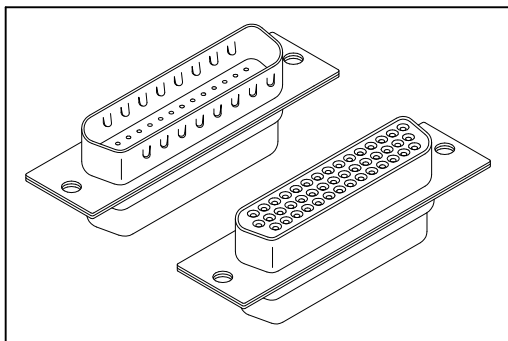


7918 Series

H.D. D-SUB Crimp Type



Material:

Housing: Thermoplastic Polyester Glass Filled UL94V-0.

Contacts: Copper Alloy.

Shell: Metal.

Recommend Wire: 24AWG to 28AWG.

Electrical Characteristics:

Current Rating: 1 A.

Dielectric Withstanding Voltage: AC 1000V.

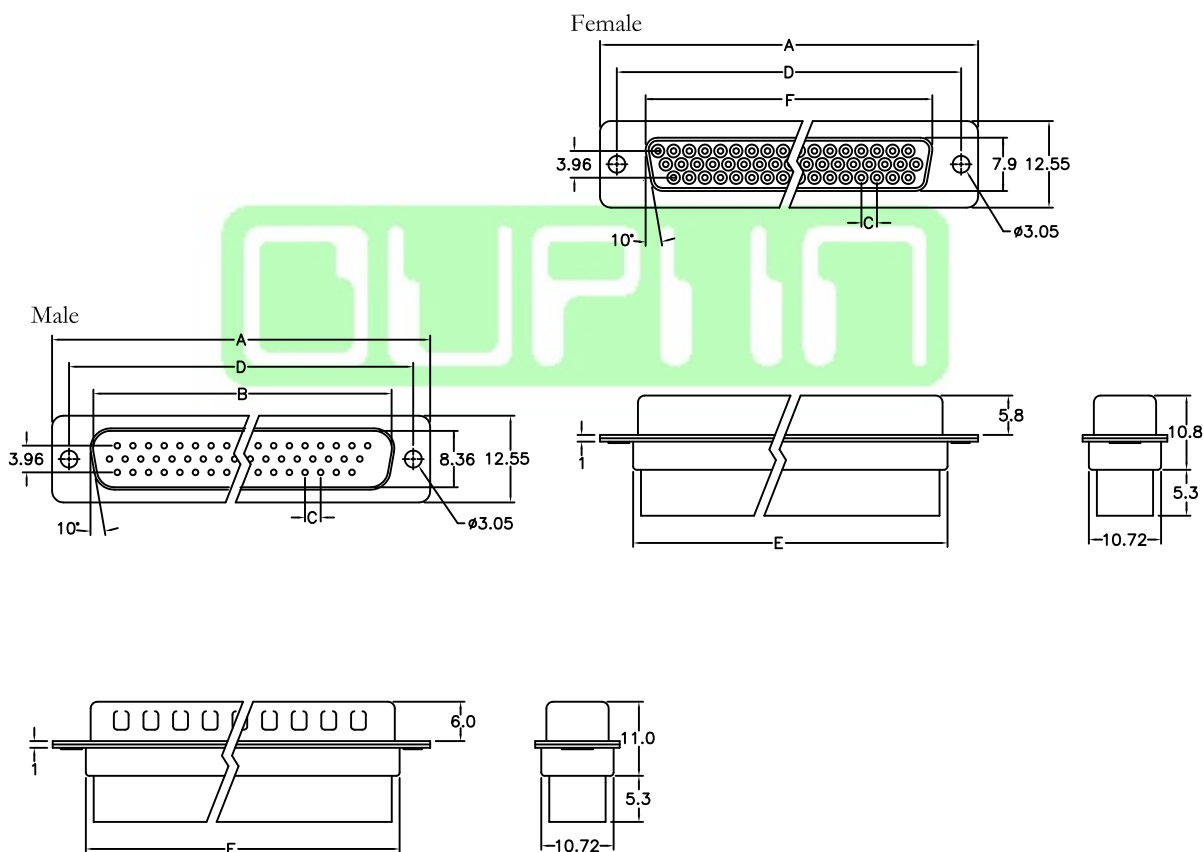
Insulator Resistance: 1000MΩ min.

Contact Resistance: 30mΩ max.

Operating Temperature: -55°C~+105°C.

Features:

Mates with: 7915, 7916.



Position	Dimension					
	A	B	C	D	E	F
15	30.81	16.92	2.29	24.99	19.3	16.33
26	39.14	25.25	2.29	33.32	27.5	24.66
44	53.04	38.96	2.29	47.04	41.3	38.38
62	69.32	55.42	2.41	63.50	57.7	54.84

Ordering information

7918-

Series

62

Position

M

M: Male
F: Female

T

T: Tin Shell

B

B: Black

N1

Blank: Standard Type
N1: See Page A160

A

A: Tray Package

7918-

Series

PIN-

10K Pins Per Reel

M-

M: Male
F: Female

10K

Information including designs, specifications and components may be changed or updated without notice.

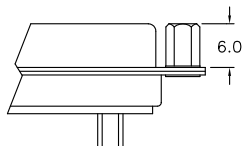
A159

Mounting Option



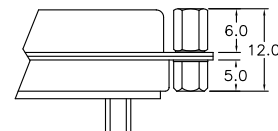
Option N1

With NUTS #4-40 Threaded
Riveted On Face Side



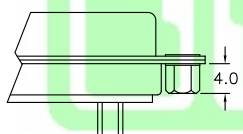
Option N1N6

With NUTS #4-40 Threaded
Riveted On Face Side and
Jack Screws Assembled



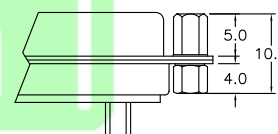
Option N2

With NUTS #4-40 Threaded
Riveted On Rear Side



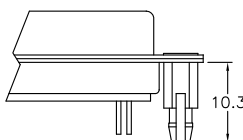
Option N2N6

With NUTS #4-40 Threaded
Riveted On Rear Side and
Jack Screws Assembled



Option N3

With #4-40 Threaded Riveted
Brackets (Board Locks)



Option N3N6

With #4-40 Threaded Riveted
Brackets and Jack Screws
Assembled

