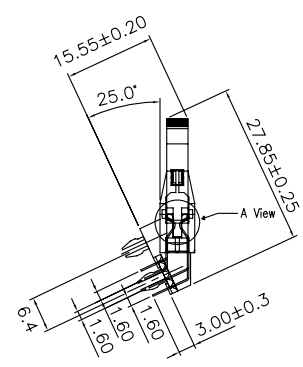
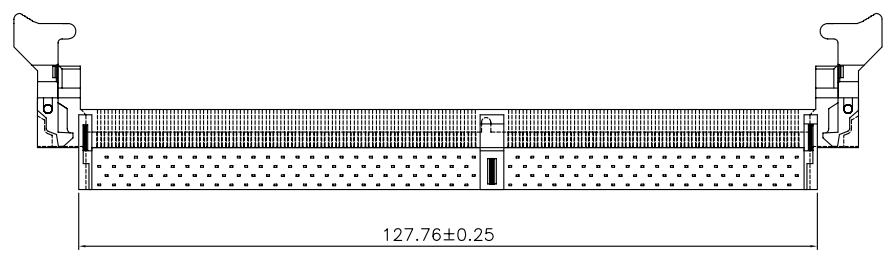
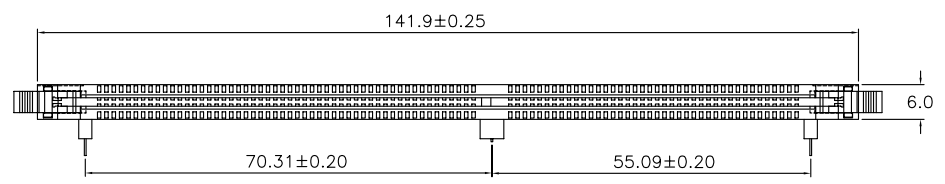


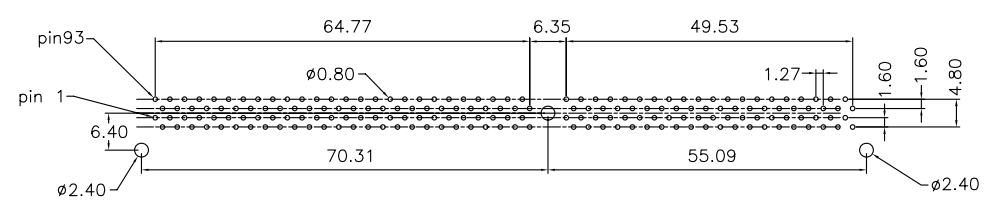
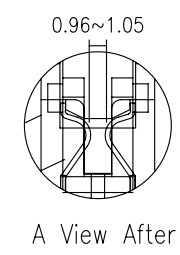
REV.	SPECIFICATION	ECN NO.	APPD.



Material:
 Housing: High Temperature Plastic UL94V-0.
 Contacts: Copper Alloy.
 Latch: Thermoplastic Polyester Glass Filled UL94V-0.

Electrical Characteristics:
 Current Rating: 1 AMP.
 Dielectric Withstanding Voltage: AC 1.0KV.
 Insulation resistance: 10,000MΩ min.
 Contact Resistance: 30mΩ max.
 Operating Temperature: -55°C to +105°C

***RoHS Compliant**



8206-184 C 15 B L A / 25
 Series No. of Pin C: Selective Gold Plated 15: 15μ" B:Black L:LOCK A: Tray 25: 25 Degree Angle Mount
 Package

Tolerances	Dwg. No.	8206D02004	Title:		OUPIIN OUPIIN ELECTRONIC(KUNSHAN) CO., LTD.
x = ±0.5	Projection		8206 Series		
.x = ±0.25	Unit mm	Scale	DDR Socket 184 Pin		
.xx = ±0.15	Drawn By	ZJJ 06/04'12	Lowprofile 25°		
			① 552	SHEET 1/1 Ver.No. A6	