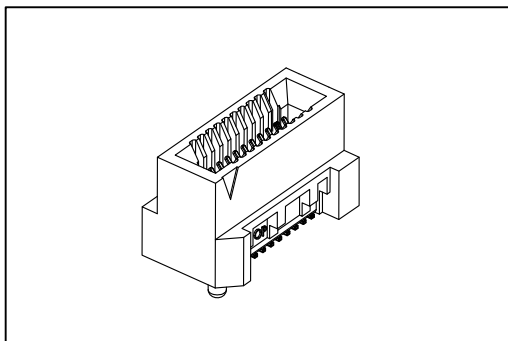


# 8206 Series

## Mini Edge Card Connector 0.80mm (0.0315")



### Material:

Housing: High Temperature Plastic UL94V-0.

Contacts: Copper Alloy.

### Electrical Characteristics:

Current Rating: 3.1 A@30°C Temperature Rise.

Dielectric Withstanding Voltage: AC 600V.

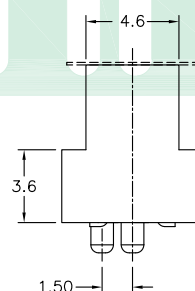
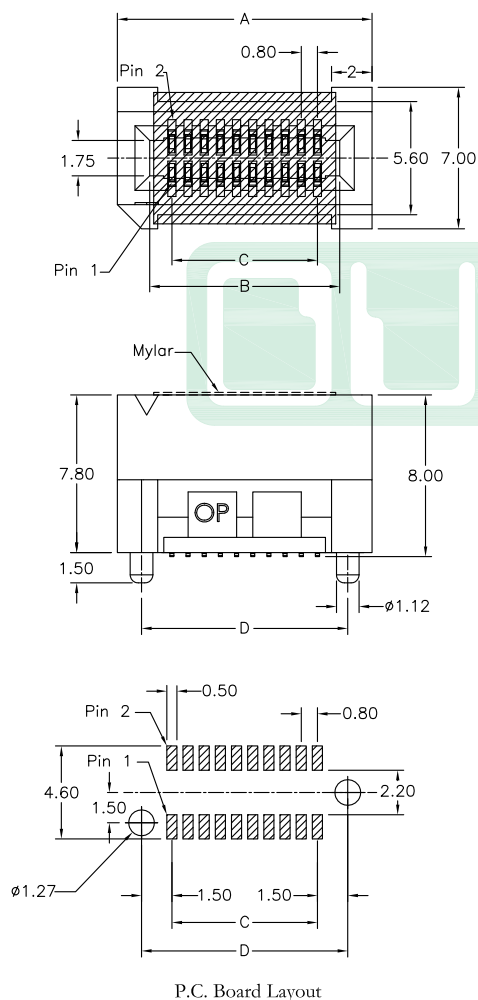
Insulator Resistance: 6000MΩ min.

Contact Resistance: 8.4mΩ max.

Operating Temperature: -55°C~+125°C.

### Features:

- \* Additional plating options available.
- \* Mates With: 1.6±0.05mm Thick Edge Card.
- \* Speed: 14Gbps.



		**Available Position			
Position		Dimension			
		A	B	C	D
*	20	12.60	9.40	7.20	10.20
*	40	20.60	17.40	15.20	18.20
	60	28.60	25.40	23.20	26.20

## Ordering information

8206- 2 X 10 C 30 D P T -S  
 Series Double Row No. of Pin Per Row C: Selective Gold Plated 30: 30μ" D: SMD Type P: With Post N: Without Post T: Tape & Reel Package U: Tube Package S: Mylar P: Plastic Pad Blank: Without Pad