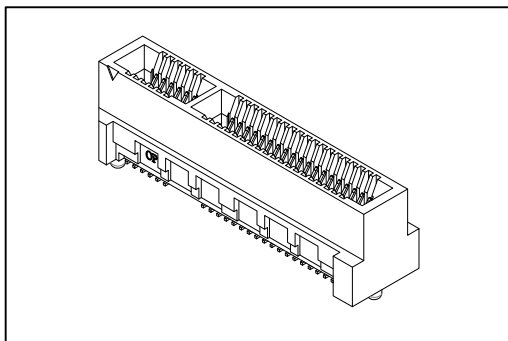


8206 Series

Mini Edge Card Connector 0.80mm (0.0315")



Material:

Housing: High Temperature Plastic UL94V-0.

Contacts: Copper Alloy.

Electrical Characteristics:

Current Rating: 3.1 A@30°C Temperature Rise.

Dielectric Withstanding Voltage: AC 600V .

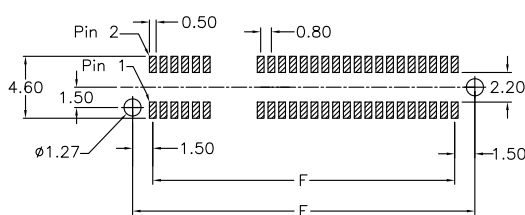
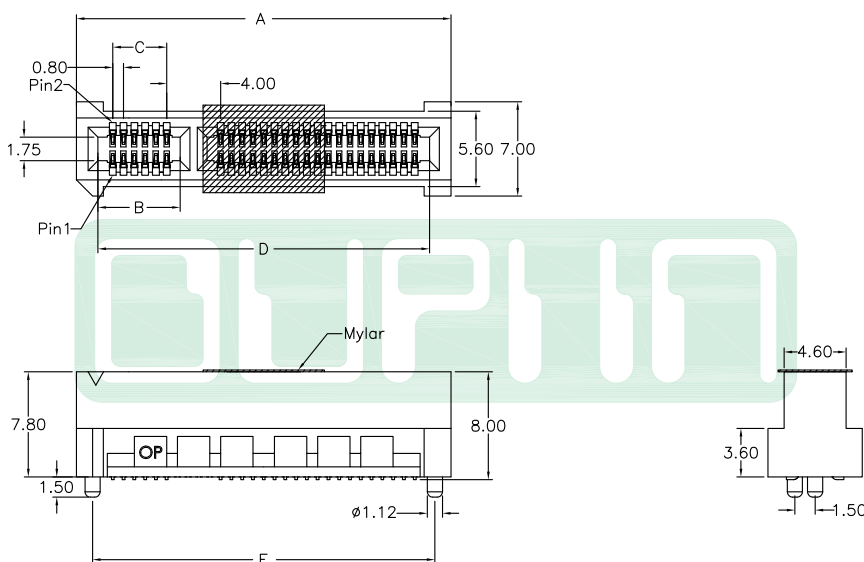
Insulator Resistance: 6000MΩ min.

Contact Resistance: 8.4mΩ max.

Operating Temperature: -55°C~+125°C.

Features:

- * Additional plating options available.
- * Mates With:1.6±0.05mm Thick Edge Card.
- * Speed:14Gbps.



P.C. Board Layout

Position	**Available Position					
	A	B	C	D	E	F
18	15.00	4.50	2.40	11.80	12.60	9.60
* 26	18.20	6.10	4.00	15.00	15.80	12.80
* 50	27.80	6.10	4.00	24.60	25.40	22.40
74	37.40	18.10	16.00	34.20	35.00	32.00
80	39.80	18.90	16.80	36.60	37.40	34.40
98	47.00	22.90	20.80	43.80	44.60	41.60
100	47.80	22.90	20.80	44.60	45.40	42.40
120	55.80	26.90	24.80	52.60	53.40	50.40
140	63.80	26.90	24.80	60.60	61.40	58.40
160	71.80	26.90	24.80	68.60	69.40	66.40
180	79.80	26.90	24.80	76.60	77.40	74.40
200	87.80	26.90	24.80	84.60	85.40	82.40

Ordering information

8206- 2 X 25 C 30 D P 1 T -S
 Series Double Row No. of C:Selective 30: 30μ" D: SMD Type P: With Post 1: With Front Key T: Tape & Reel S:Mylar
 Pin Per Row Gold Plated N: W/O Post Package U: Tube Package P: Plastic Pad
 Blank: W/O Pad

Information including designs, specifications and components may be changed or updated without notice.

CB02