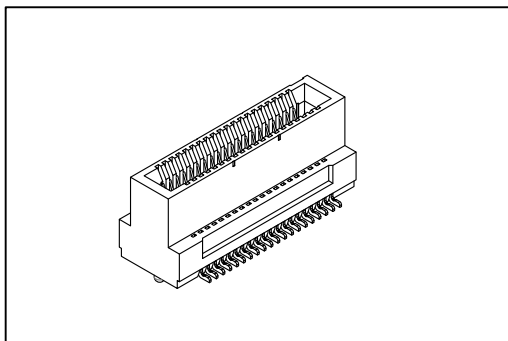


8208 Series

Mini Edge Card Connector 0.80mm (0.0315")



Material:

Housing: High Temperature Plastic UL94V-0.

Contacts: Copper Alloy.

Electrical Characteristics:

Current Rating: 1.8 A@30°C Temperature Rise.

Dielectric Withstanding Voltage: AC 600V .

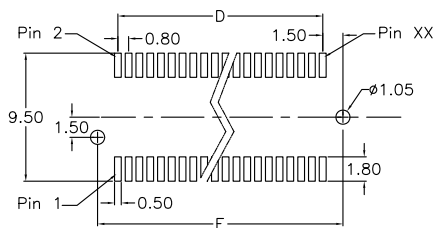
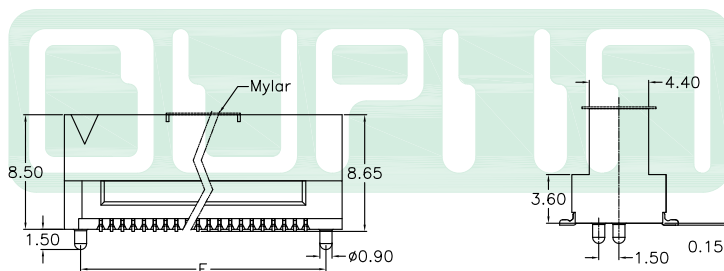
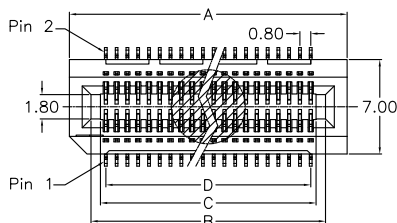
Insulator Resistance: 100000MΩ min.

Contact Resistance: 15.8mΩ max.

Operating Temperature: -55°C~+125°C.

Features:

- * Additional plating options available.
- * Mates With:1.6±0.10mm Thick Edge Card.
- * Speed:14Gbps.



P.C. Board Layout

		**Available Position				
Position		Dimension				
*		A	B	C	D	E
*	20	12.60	9.40	8.00	7.20	10.20
*	40	20.60	17.40	16.00	15.20	18.20
	60	28.60	25.40	24.00	23.20	26.20
	70	32.60	29.40	28.00	27.20	30.20

Ordering information

8208- 2 X 20 C 30 D P T -S
 Series Double Row No. of Pin Per Row C:Selective Gold Plated 30: 30μ" D: SMD Type P: With Post N: Without Post T: Tape & Reel Package U: Tube Package S:Mylar P: Plastic Pad Blank: Without Pad

Information including designs, specifications and components may be changed or updated without notice.