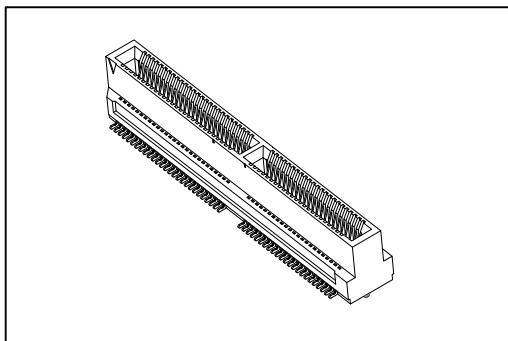


# 8208 Series

## Mini Edge Card Connector 0.80mm (0.0315")



**Material:**

Housing: High Temperature Plastic UL94V-0.

Contacts: Copper Alloy.

**Electrical Characteristics:**

Current Rating: 1.8 A@30°C Temperature Rise.

Dielectric Withstanding Voltage: AC 600V .

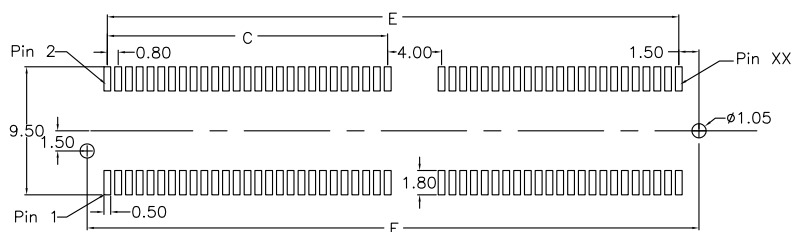
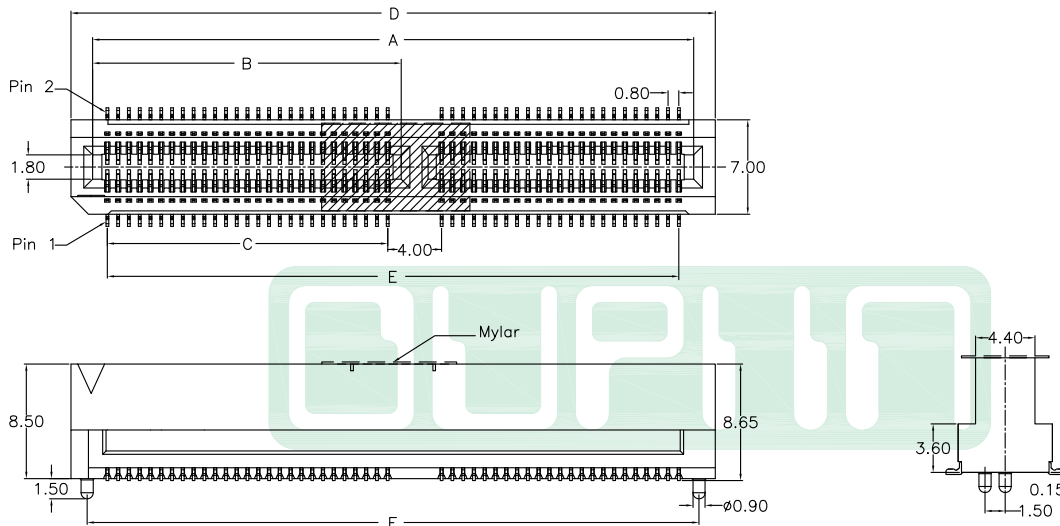
Insulator Resistance: 100000MΩ min.

Contact Resistance: 15.8mΩ max.

Operating Temperature: -55°C~+125°C.

**Features:**

- \* Additional plating options available.
- \* Mates With:1.6±0.05mm Thick Edge Card.
- \* Speed:14Gbps.



P.C. Board Layout

Position	**Available Position Dimension					
	A	B	C	D	E	F
80	36.60	19.90	16.80	39.80	34.40	37.40
90	40.60	20.50	18.40	43.80	38.40	41.40
* 100	44.60	22.90	20.80	47.80	42.40	45.40
120	52.60	30.90	24.80	55.80	50.40	53.40
140	60.60	60.60	28.80	63.80	58.40	61.40

### Ordering information

8208- 2 X 50 C 30 D P 1 T -S  
 Series Double Row No. of C.Selective 30: 30µ" D: SMD Type P: With Post 1: With Front Key T: Tape & Reel S:Mylar  
 Pin Per Row Gold Plated N: W/O Post Package P: Plastic Pad  
 U: Tube Package