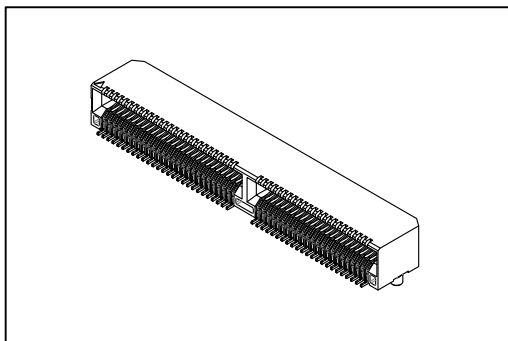


8208 Series

Mini Edge Card Connector 0.80mm (0.0315")



Material:

Housing: High Temperature Plastic UL94V-0.

Contacts: Copper Alloy.

Electrical Characteristics:

Current Rating: 1.8 A@30°C Temperature Rise.

Dielectric Withstanding Voltage: AC 600V .

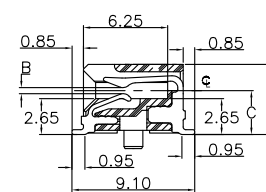
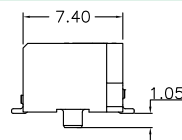
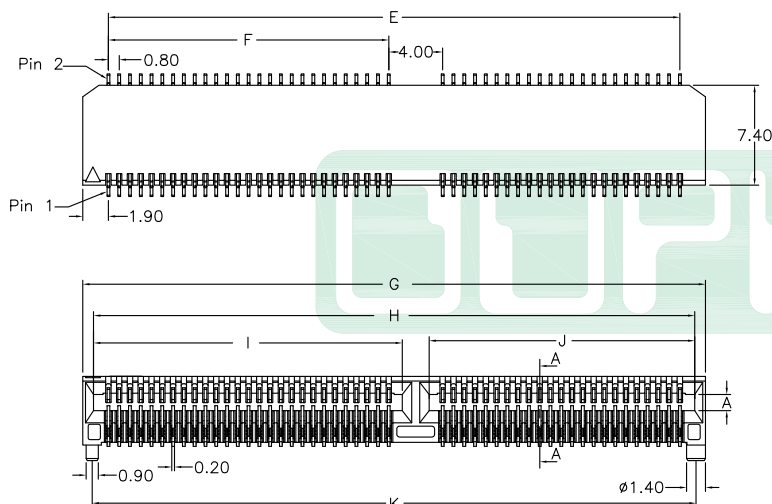
Insulator Resistance: 100000MΩ min.

Contact Resistance: 15.8mΩ max.

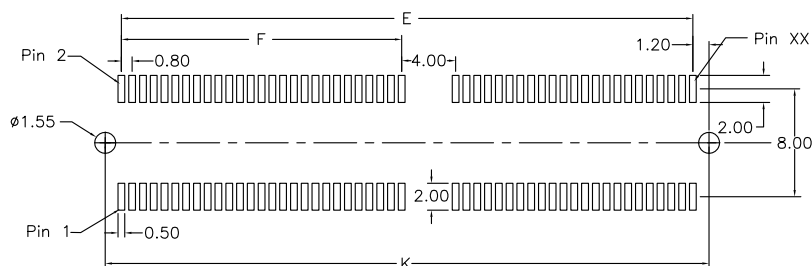
Operating Temperature: -55°C~+125°C.

Features:

- * Additional plating options available.
- * Mates With:1.0±0.05mm or 1.57±0.05mm Thick Edge Card.
- * Speed:14Gbps.



Section A-A



P.C. Board Layout

**Available Card Thickness				
Card Thickness	A	B	C	D
1.00	1.20	0.45	3.25	5.20
* 1.57	1.80	0.95	3.54	5.78

**Available Position							
Position	Dimension						
	E	F	G	H	I	J	K
26	12.80	4.00	16.80	15.00	6.10	6.90	15.20
50	22.40	4.00	26.20	24.60	6.10	16.50	24.80
74	32.00	16.00	35.80	34.20	18.10	14.10	34.40
80	34.40	16.80	38.20	36.60	18.90	15.70	36.80
98	41.60	20.80	45.40	43.80	22.90	18.90	44.00
* 100	42.40	20.80	46.20	44.60	22.90	19.70	44.80

Ordering information

8208- Series 2 Double Row X No. of Pin Per Row 50 C Selective Gold Plated 30 30: 30μ" D SMD Type R Right Angle 2 Card Thickness 1:1.00mm 2:1.57mm P With Post N: W/O Post N With Lock N: W/O Lock 1 With Front Key T Tape & Reel Package