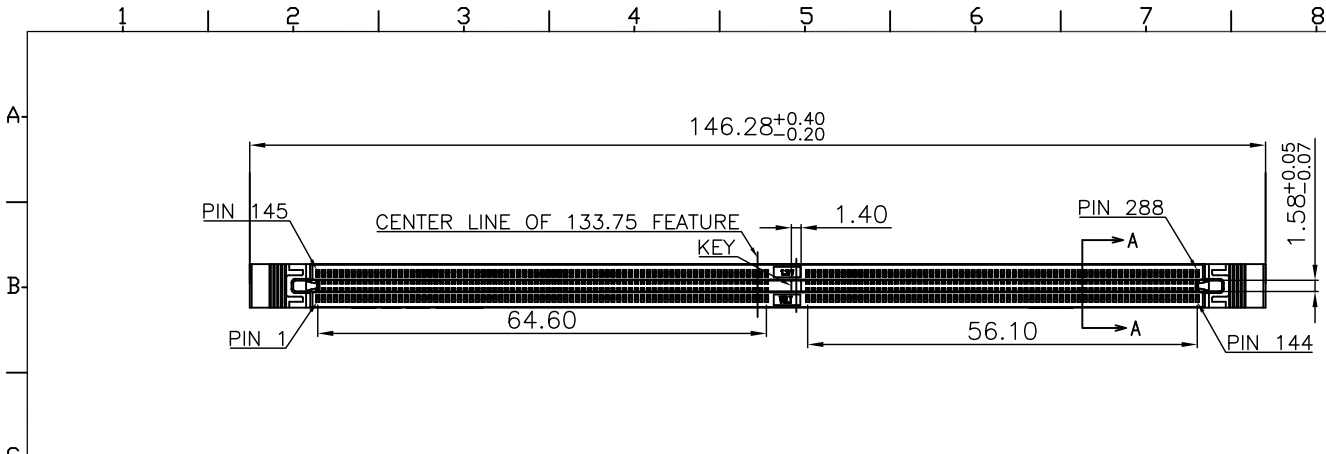


REV.	SPECIFICATION	ECN NO.	APPD.

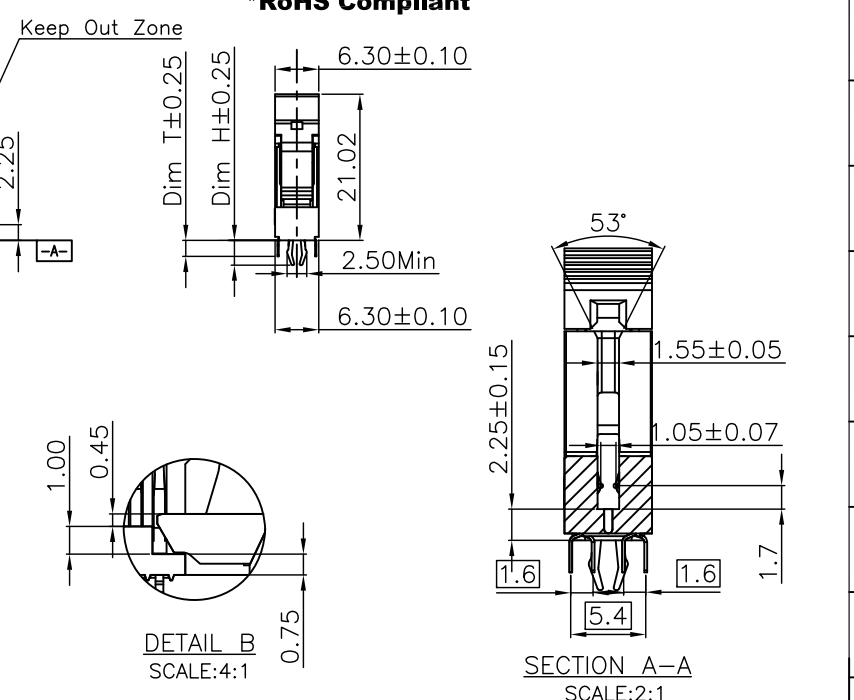
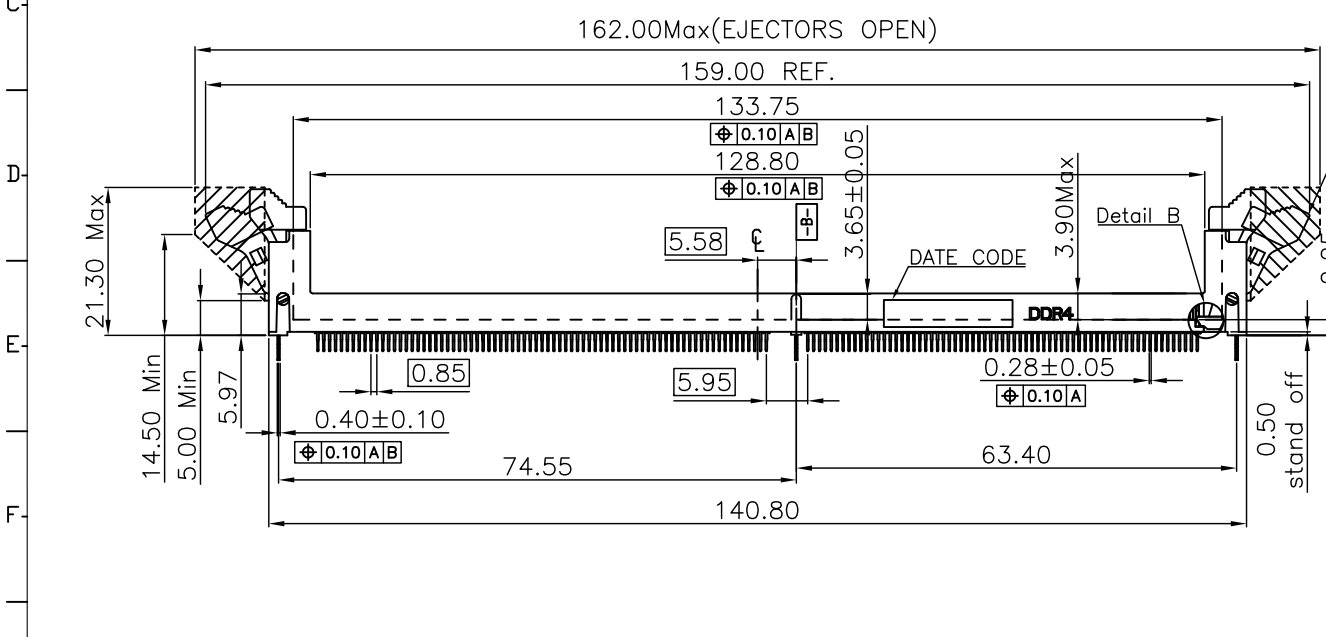


Material:
 Housing: High Temperature Plastic UL94V-0.
 Ear: High Temperature Plastic UL94V-0.
 Contact: Copper Alloy.
 Board Lock: Metal.

Electrical Characteristics:
 Current Rating: 0.75 AMP.
 Dielectric Withstanding Voltage: AC 500V for 1 minute.
 Insulator Resistance: 1MΩ min. at AC 500V.
 Contact Resistance: 10mΩ max.
 Operating Temperature: -44°C ~+85°C.

Mechanical Characteristics:
 Insertion Force: 12.89 Kgf max.
 Withdraw Force: 0.014 Kgf min Per Contact Pair.
 Durability: 25 Cycles.

***RoHS Compliant**



8404-Z 288 C 15 L 1 B B A

Series No. of Position

C: Selective Gold Plated

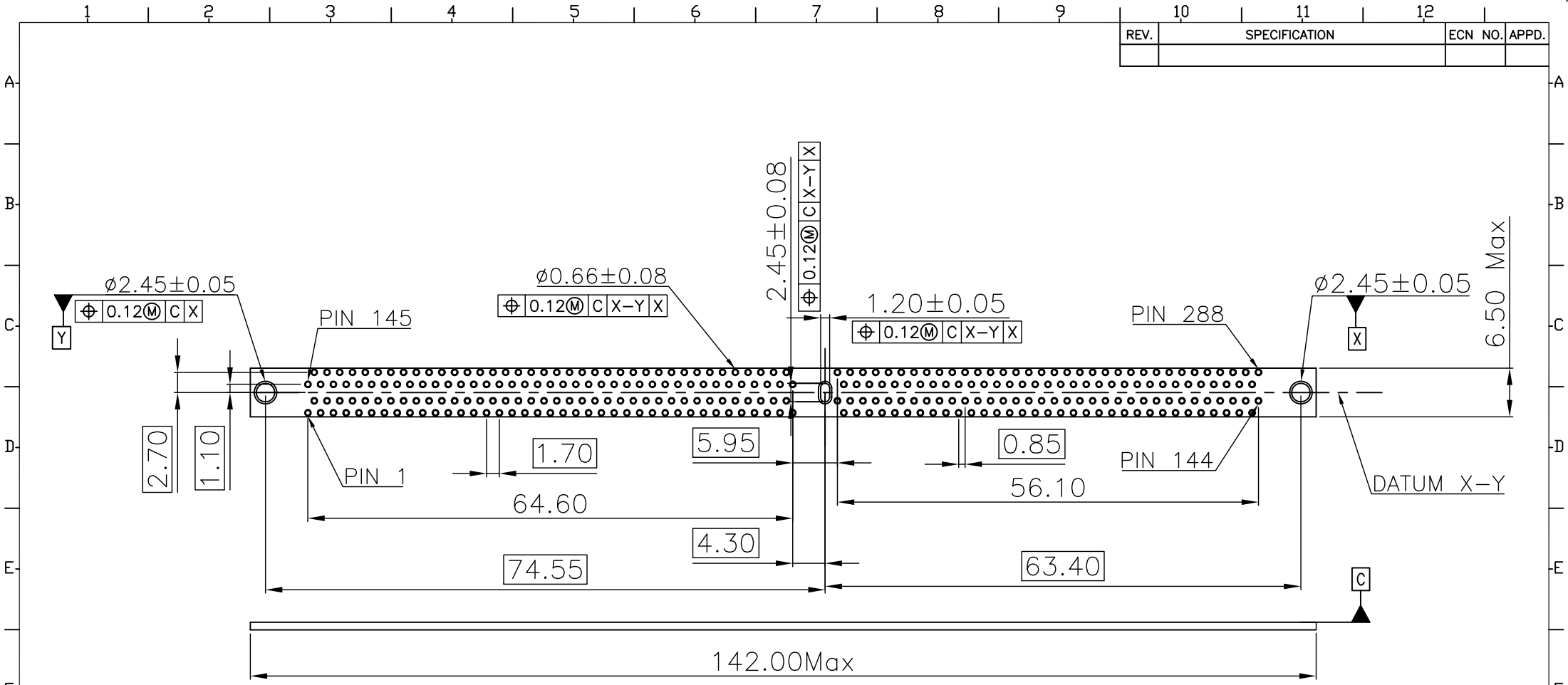
15: 15 μ"
 30: 30 μ"
 L: With Lock

A: Tray Package
 B: Black Ejector
 W: White Ejector

B: Black
 W: White

1: Dim T=2.70mm, Dim H=3.57mm
 2: Dim T=3.10mm, Dim H=4.27mm

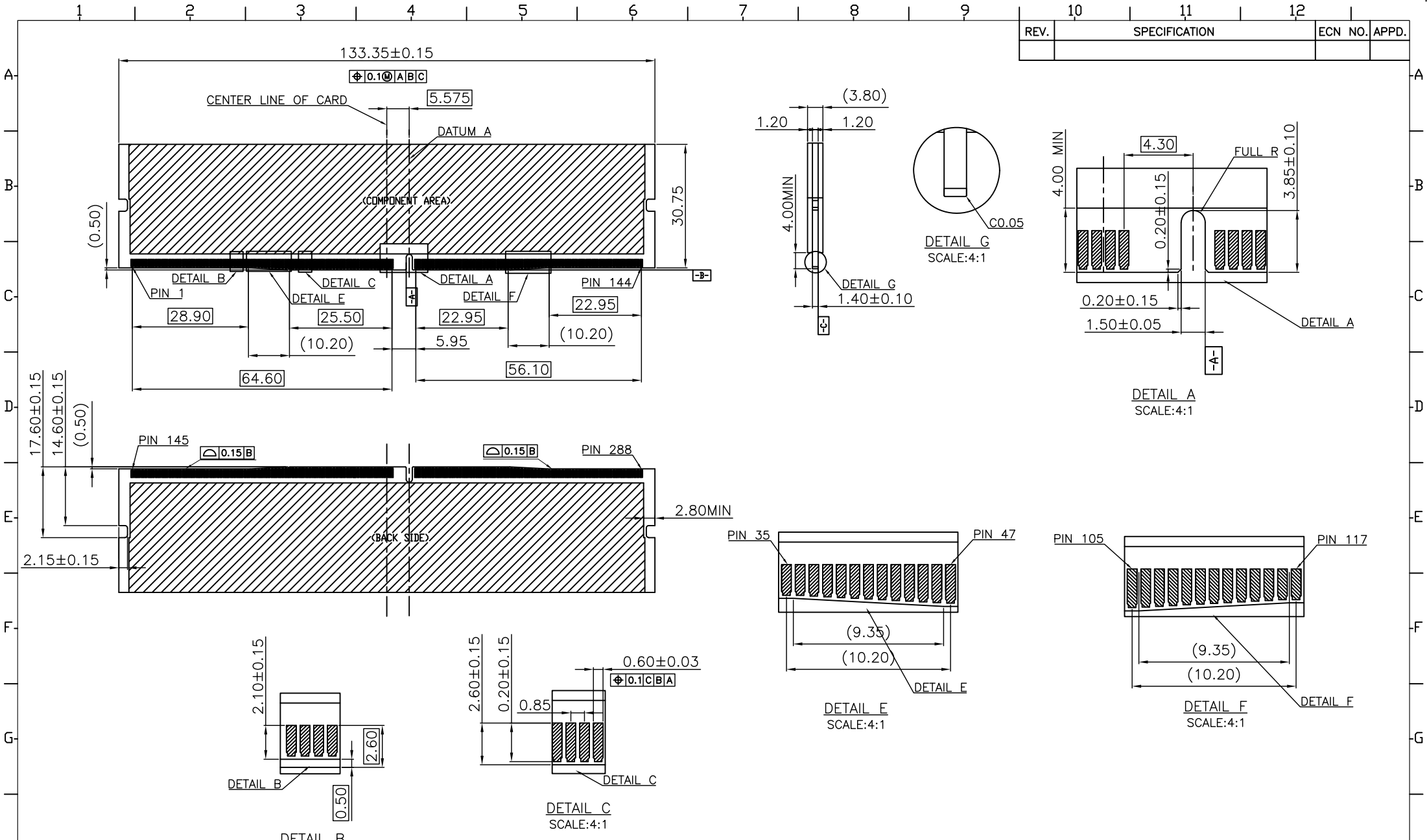
Tolerances x = ±0.5 .x = ±0.25 .xx = ±0.15	Dwg. No.	8404-D0000-001		Title: 8404 Series DDR 4 , 288 PIN 0.85mm Pitch	 OUPIN ELECTRONIC(KUNSHAN) CO., LTD. P/N: 8404-Z288C15L1BBA SHEET 1/3 Ver.No. X6
	Projection				
	Unit	mm	Scale		
Drawn By	Vic Lyu10/28'15		664		



P.C.Board Layout

REV.	SPECIFICATION	ECN NO.	APPD.

Tolerances x = ±0.5 .x = ±0.25 .xx = ±0.15	Dwg. No.	8404-D0000-001		Title: 8404 Series DDR 4 , 288 PIN 0.85mm Pitch			
	Projection					OUPIIN ELECTRONIC(KUNSHAN) CO., LTD. P/N: 8404-Z288C15L1BBA	
	Unit	mm	Scale				1:1
	Drawn By	Vic Lyu10/28'15					SHEET 2/3 Ver.No. X6
① 664							



REV.	SPECIFICATION	ECN NO.	APPD.

Tolerances	Dwg. No.	8404-D0000-001	Title:		OUPIN OUPIN ELECTRONIC(KUNSHAN) CO., LTD. P/N: 8404-Z288C15L1BBA
x = ±0.5	Projection		8404 Series		
.x = ±0.25	Unit	mm	Scale	1:1	
.xx = ±0.15	Drawn By	Vic Lyu10/28'15	DDR 4 , 288 PIN 0.85mm Pitch		
			⑥64	SHEET	3/3
				Ver.No.	X6