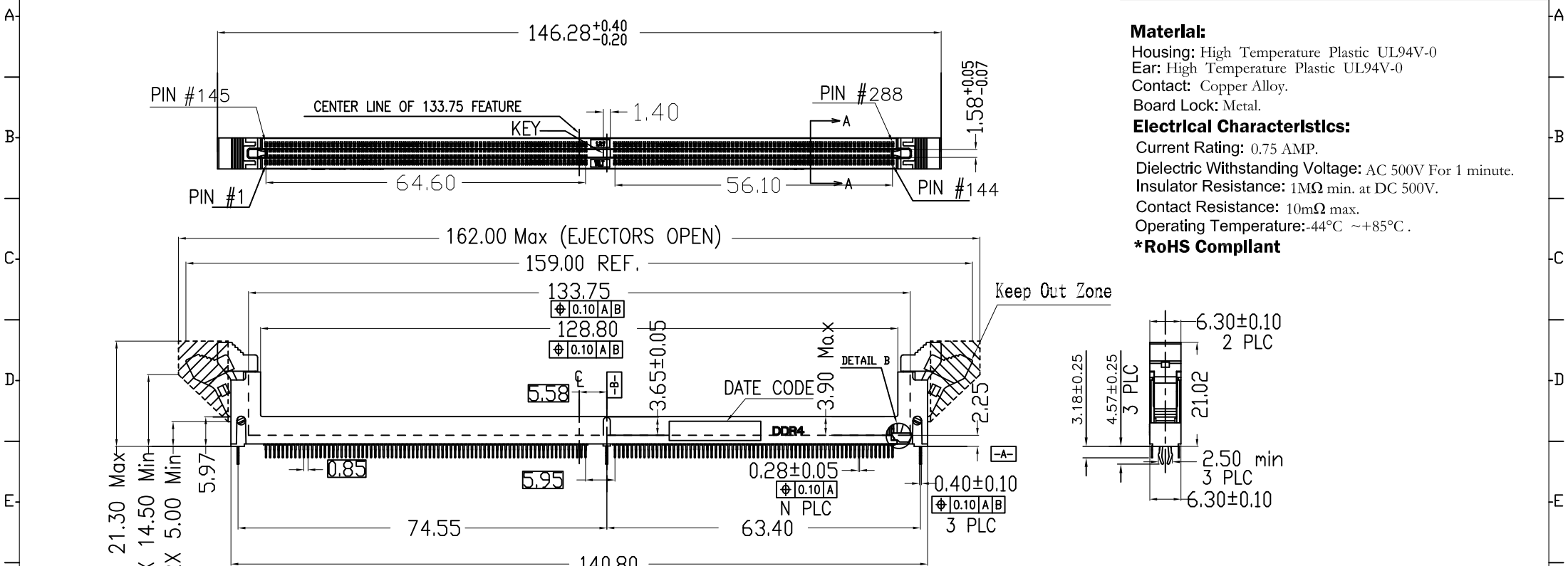
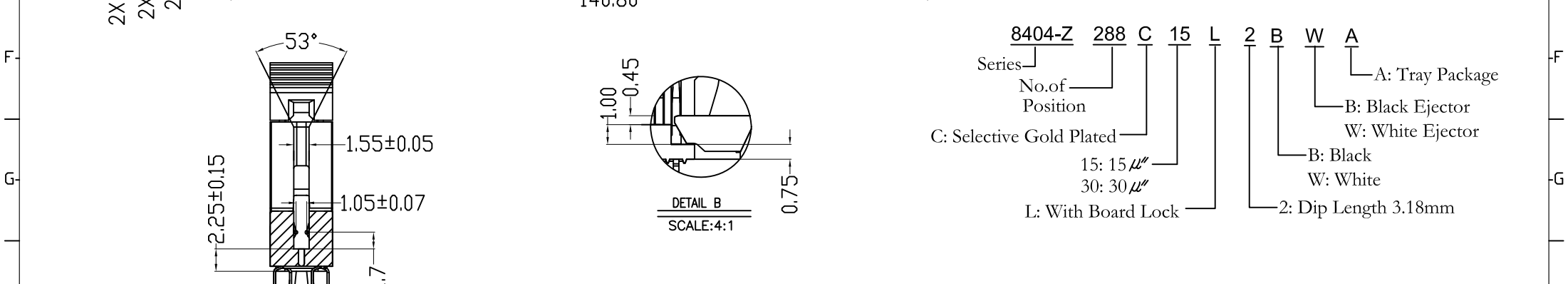


REV.	SPECIFICATION	ECN NO.	APPD.



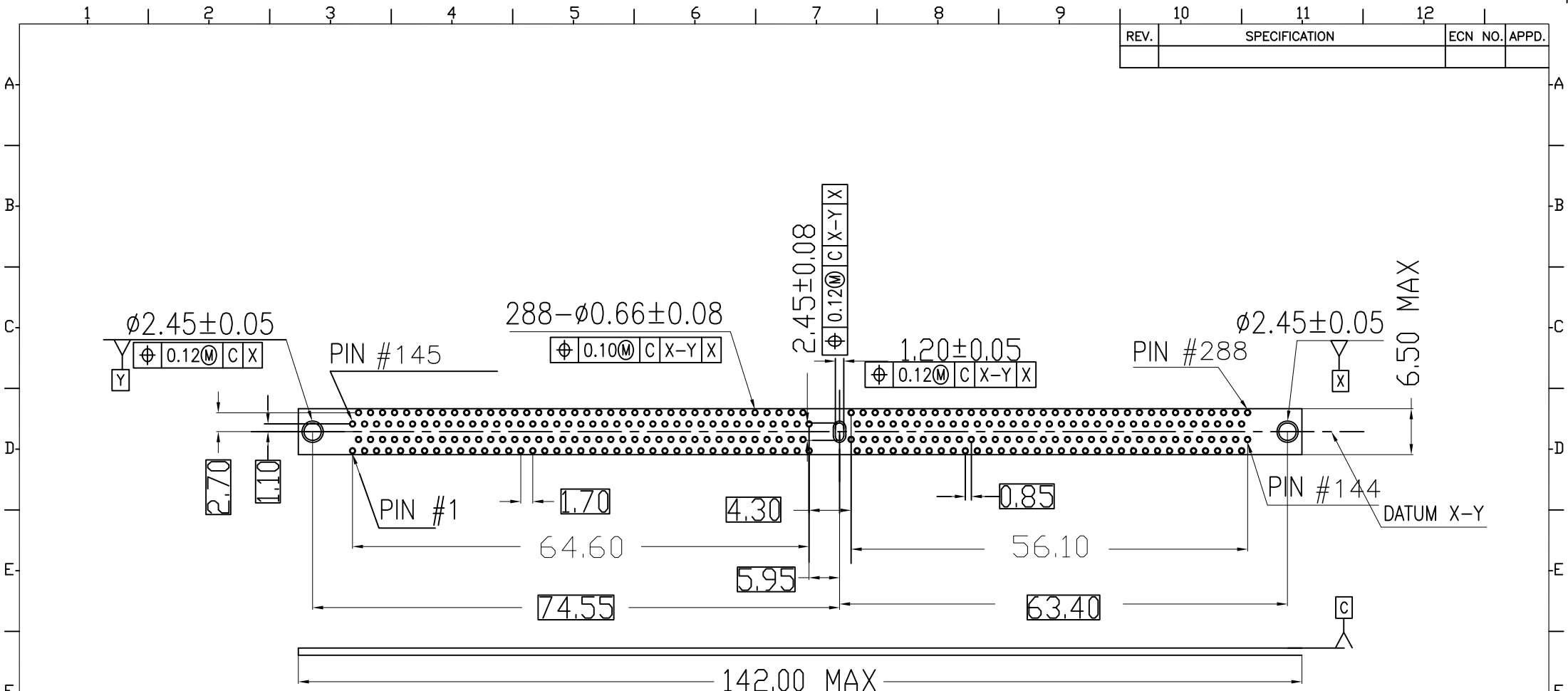
Material:
 Housing: High Temperature Plastic UL94V-0
 Ear: High Temperature Plastic UL94V-0
 Contact: Copper Alloy.
 Board Lock: Metal.

Electrical Characteristics:
 Current Rating: 0.75 AMP.
 Dielectric Withstanding Voltage: AC 500V For 1 minute.
 Insulator Resistance: 1MΩ min. at DC 500V.
 Contact Resistance: 10mΩ max.
 Operating Temperature: -44°C ~ +85°C.
***RoHS Compliant**



8404-Z 288 C 15 L 2 B W A
 Series No. of Position C: Selective Gold Plated 15: 15 μm 30: 30 μm L: With Board Lock 2: Dip Length 3.18mm
 A: Tray Package
 B: Black Ejector W: White Ejector
 B: Black W: White

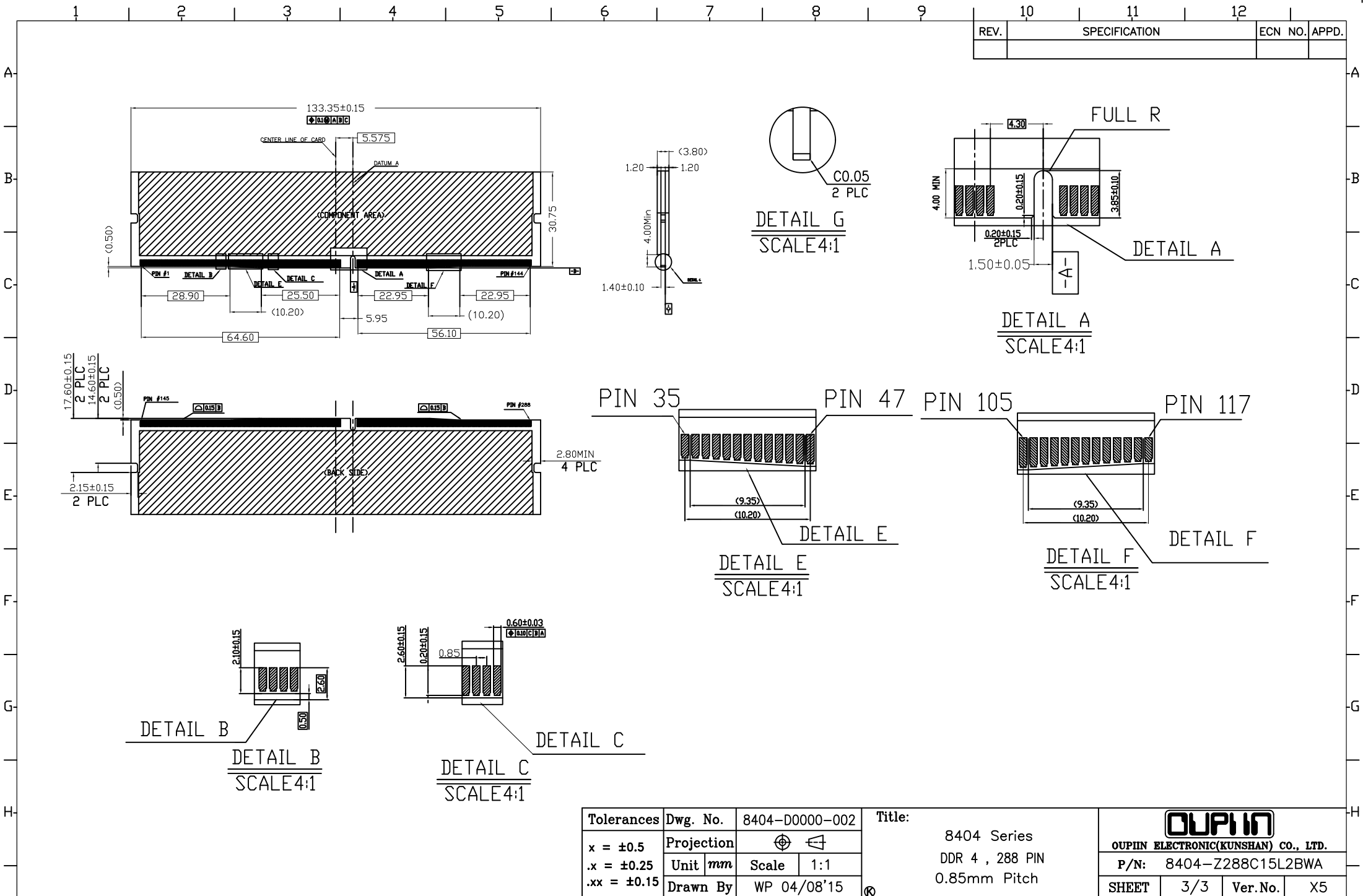
Tolerances x = ±0.5 .x = ±0.25 .xx = ±0.15	Dwg. No.	8404-D0000-002		Title: 8404 Series DDR 4 , 288 PIN 0.85mm Pitch	 OUPIN ELECTRONIC(KUNSHAN) CO., LTD. P/N: 8404-Z288C15L2BWA				
	Projection								
	Unit	mm	Scale						1:1
	Drawn By	WP 04/08'15	SHEET 1/3 Ver.No. X5						



P.C.Board Layout

REV.	SPECIFICATION	ECN NO.	APPD.

Tolerances x = ±0.5 .x = ±0.25 .xx = ±0.15	Dwg. No.	8404-D0000-002		Title: 8404 Series DDR 4 , 288 PIN 0.85mm Pitch					
	Projection							OUPIIN ELECTRONIC(KUNSHAN) CO., LTD. P/N: 8404-Z288C15L2BWA	
	Unit	mm	Scale		1:1	SHEET	2/3		
	Drawn By	WP 04/08'15							



REV.	SPECIFICATION	ECN NO.	APPD.

Tolerances x = ±0.5 .x = ±0.25 .xx = ±0.15	Dwg. No.	8404-D0000-002		Title: 8404 Series DDR 4 , 288 PIN 0.85mm Pitch				
	Projection							
	Unit	mm	Scale		1:1	OUPIIN ELECTRONIC(KUNSHAN) CO., LTD. P/N: 8404-Z288C15L2BWA		
	Drawn By	WP 04/08'15			SHEET	3/3	Ver.No.	X5