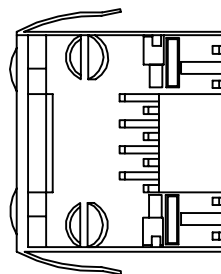
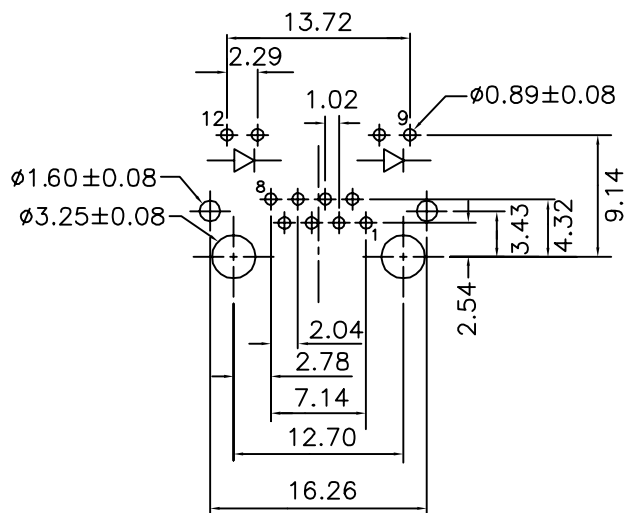
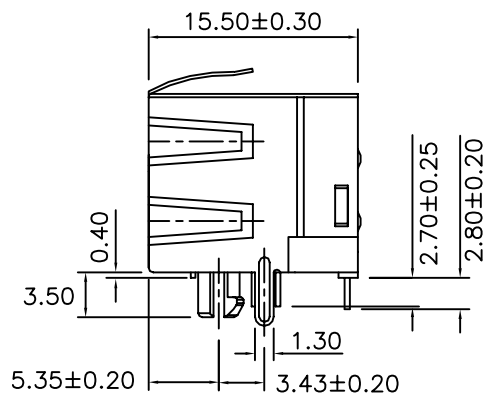
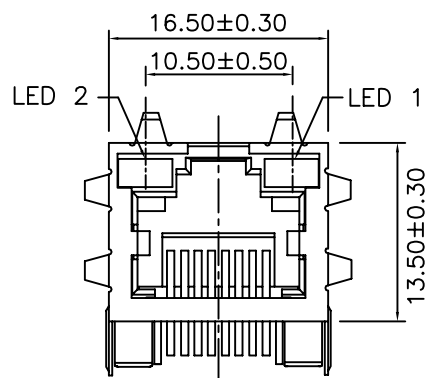


REV.	SPECIFICATION	ECN NO.	APPD.



**Material:**

Housing: Thermoplastic Polyester Glass Filled UL94V-0.

Contacts: Copper Alloy.

Shell: Copper Alloy.

**Electrical Characteristics:**

Current Rating: 1.5 AMP.

Dielectric Withstanding Voltage: AC 1000V For 1 minute.

Insulator Resistance: 500MΩ min.

Contact Resistance: 20mΩ max.

Operating Temperature: -40°C~+85°C.

**\*RoHS Compliant**

P.C.Board Layout

8949-BL1

Series

8

8:8 Position

8

8:8 Contacts

1

1:1 Port

/06

06:6μ" Gold Plated

S

S: Shield

1

1:With Grounding

A

A:LED1:Green LED2:Yellow

B

B: Black

A

A:Tray Package

Tolerances	Drawn No.	8949D02133		Title:	
x = ±0.5	Projection	⊕ ◀		8949-L1 Series Modular Jack With LED	
.x = ±0.35	Unit	mm	Scale		1:1
.xx = ±0.25	Drawn By	Rikey 01/20'10			

① 774
-------

<b>OUPIN</b>			
OUPIN ELECTRONIC(KUNSHAN) CO., LTD.			
P/N: 8949-BL1881/06S1ABA			
SHEET	1/1	Ver.No.	A2