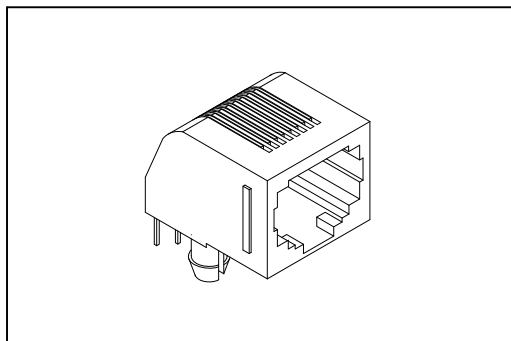


8949-C Series

Modular Jack Side Entry Dip Type



Material:

Housing: Thermoplastic Polyester Glass Filled UL94V-0.

Contacts: Copper Alloy.

Plating: Selective Gold plated on contact area over Nickel.

Electrical Characteristics:

Current Rating: 1.5 A.

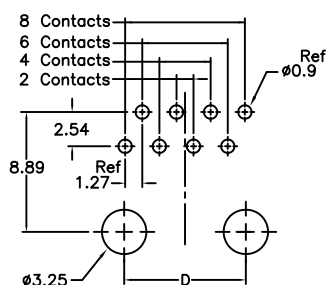
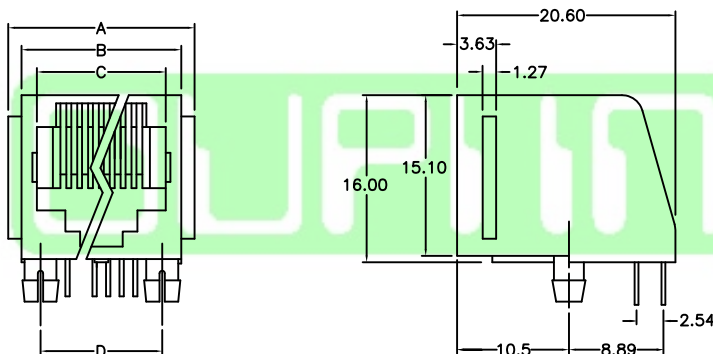
Insulator Resistance: 1000MΩ min.

Contact Resistance: 30mΩ max.

Operating Temperature: -40°C~+85°C.

Features:

- * 50μ"gold meets FCC 68 requirements.
- * Available in 4, 6, 8 position housing.
- * Industry compatible profiles and foot prints.
- * Available in selective loading.
- * Contact pre-loaded and self aligned.



P.C. Board Layout

No. of Position	No. of Contacts	Dimensions			
		A	B	C	D
4	4	13.72	11.20	7.90	7.62
6	2	15.75	13.20	9.90	10.16
6	4	15.75	13.20	9.90	10.16
6	6	15.75	13.20	9.90	10.16
8	8	17.75	15.20	11.93	11.43

Ordering information

<u>8949-C</u>	<u>8</u>	<u>8</u>	<u>-06</u>	<u>B</u>	<u>F</u>	<u>A</u>
Series	8: 8 Position 6: 6 Position 4: 4 Position	8: 8 Contacts 6: 6 Contacts 4: 4 Contacts 2: 2 Contacts	06: 06μ"Gold Plated 15: 15μ"Gold Plated 30: 30μ"Gold Plated 50: 50μ"Gold Plated	B: Black	F: With Flange N: W/O Flange	A: Tray Package

Information including designs, specifications and components may be changed or updated without notice.

A192